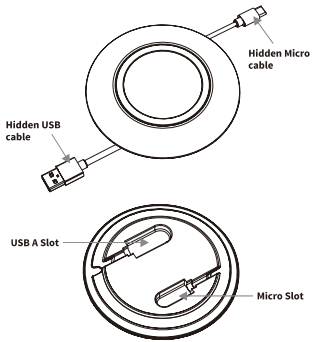


USER MANUAL
Wireless Charger
Model: Qi Cable

FCC ID: 2AP2N-QICABLE

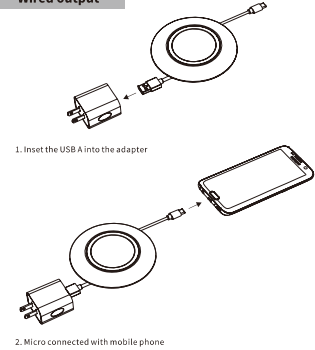
Our Customer Service Team is waiting to assist you!
USA - us@boslisa.net
EU - eu@boslisa.net
JP - jp@boslisa.net

Qi Cable is a wireless charger (transmitter) combine with USB cable, supporting Micro USB and wireless charge. Slim design, its internal integrated communication, High frequency oscillation, Indicator status, over voltage protection, over temperature protection and over current protection makes it stand out in the market. Compatible with 10W/7.5W/5W, like S7, S7edge, S8, S8edge, iPhone8, iPhone8 Plus, iPhone X such kind of Qi standard mobile phone.

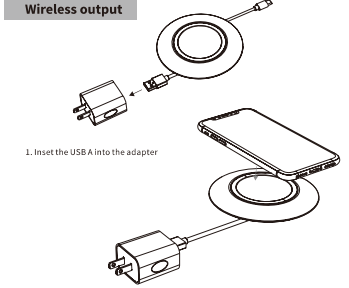


Specification:
Input: QC2.0&3.0 Adapter 5V/3A 9V/2A
Output: 5W/1A
Wireless Output: DCSW/1A; DCSW/1.1A

Wired output



Wireless output



1. Inset the USB A into the adapter

2. Make sure it is clean on the surface of the wireless charger
3. Put the Qi standard mobile phone or other compatible devices on the top. Notice to adjust the center receiver coil close with the transmitter coil. Green indicator shows working.

Tips if not working

- Make sure there is no other things on the surface of product
- Take your phone off wireless charger if wireless charger get heat, then turn off your phone and try again when it cool off. This is because wireless charger will automatically stop working when overheat.
- Micro USB output stop working or LOGO did not bright. Kindly notice that this may cause by the lower power of the adapter. In this case, please try another adapter which supporting bigger power.

This equipment has been tested and found to comply with the limits for a Class B digital device, pursuant to part 15 of the FCC Rules. These limits are designed to provide reasonable protection against harmful interference in a residential installation. This equipment generates, uses and can radiate radio frequency energy and, if not installed and used in accordance with the instructions, may cause harmful interference to radio communications. However, there is no guarantee that interference will not occur in a particular installation. If this equipment does cause harmful interference to radio or television reception, which can be determined by turning the equipment off and on, the user is encouraged to try to correct the interference by one or more of the following measures:

- Reorient or relocate the receiving antenna.
- Increase the separation between the equipment and receiver.
- Connect the equipment into an outlet on a circuit different from that to which the receiver is connected.
- Consult the dealer or an experienced radio/TV technician for help.

Caution: Any changes or modifications to this device not explicitly approved by manufacturer could void your authority to operate this equipment.

This device complies with part 15 of the FCC Rules. Operation is subject to the following two conditions: (1) This device may not cause harmful interference, and (2) this device must accept any interference received, including interference that may cause undesired operation.

This equipment should be installed and operated with minimum distance 15cm between the radiator & your body.