


70.00 mm

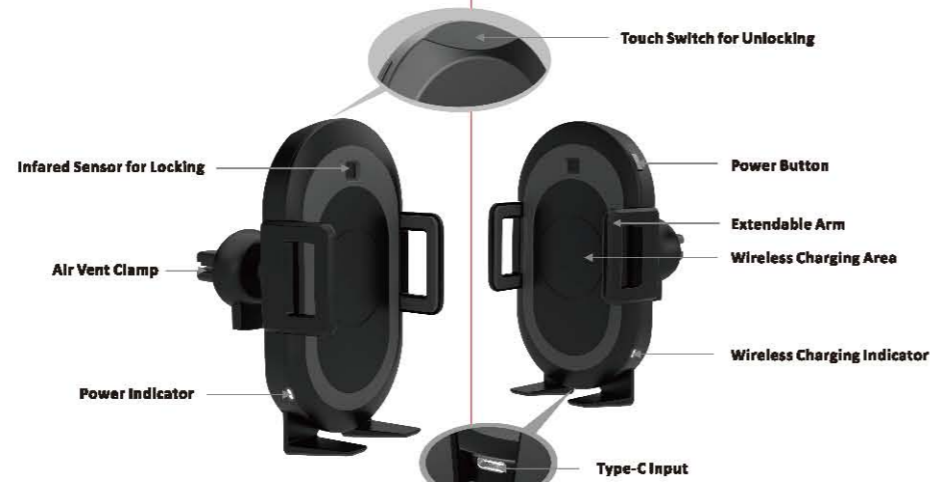
USER MANUAL

Model: Mimosa
Wireless Charger



100.00 mm

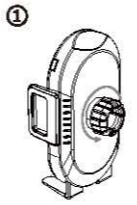
Made in China



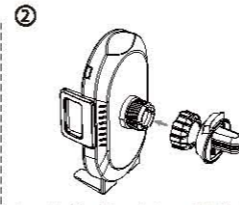
**Thanks for choosing the multifunctional smart wireless charging car mount.
Please carefully read the instruction manual and precautions before use.**

How to Use:

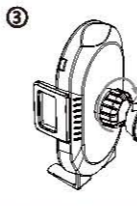
Step 1:
Use air vent clamp or the dashboard holder to fixate Mimosa



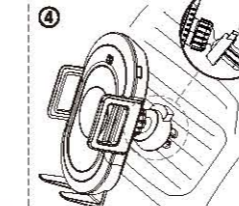
Loosen the bolt to the left



Assemble the air vent clamp with the bolt and Mimosa by inserting the mounting hole at the back

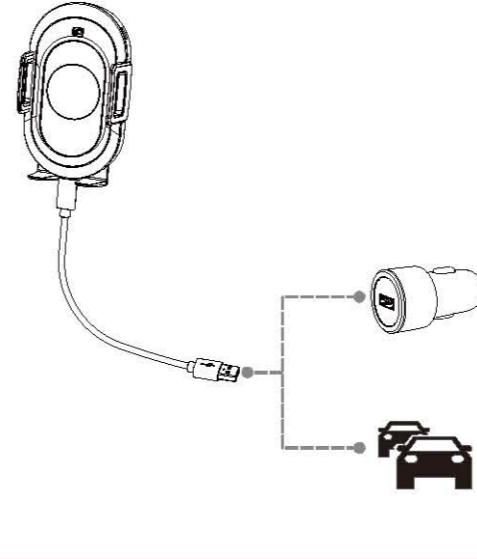


Fasten the bolt to complete the installation

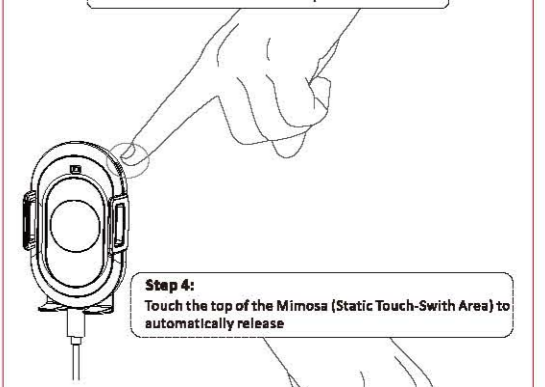


Press hard on the lock of the air vent clamp and then release to clamp it at the air vent

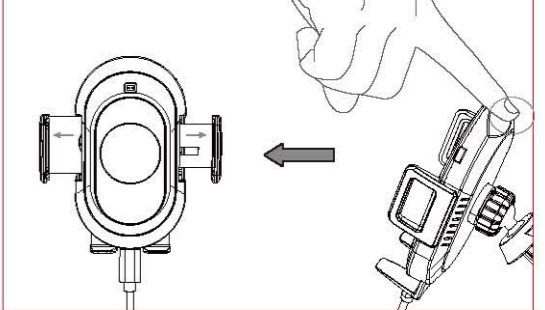
Step 2:
Use the USB-C Cable (Type-C) to connect the USB port in the car (or car charger) with Mimosa



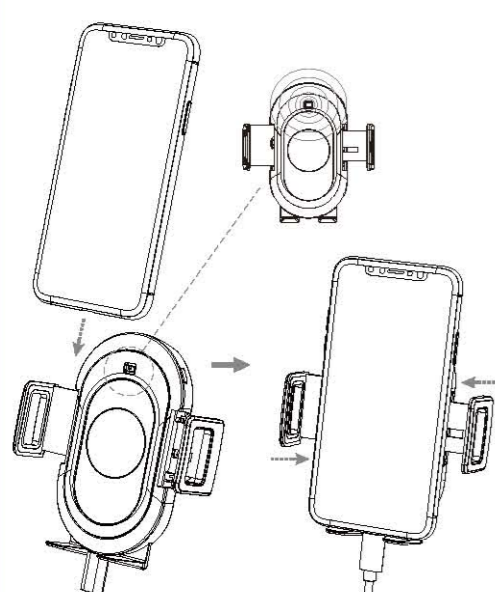
Step 3:
Press "Power Button" button to power on Mimosa



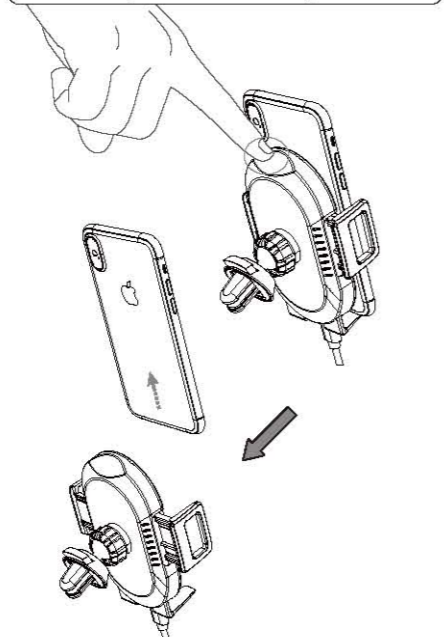
Step 4:
Touch the top of the Mimosa (Static Touch-Switch Area) to automatically release



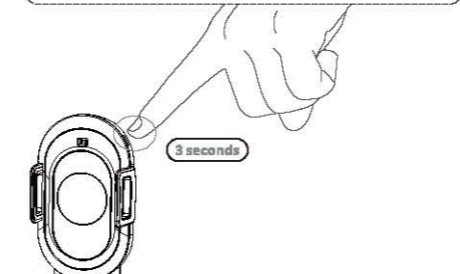
Step 5:
Mimosa automatically locks the phone when the Mimosa's sensor is shielded;



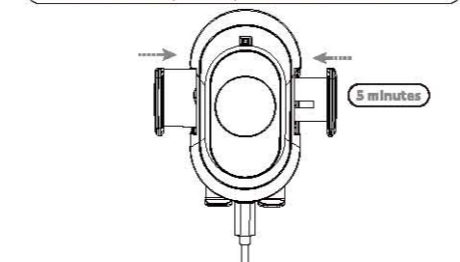
Step 6:
To get your phone out of Mimosa, simply touch the touching area on the top of the Mimosa with the finger.



Step 7:
Power Off: Press Power button for around 3 seconds, Mimosa will automatically power off and fall into dormancy.



Step 8:
Mimosa will automatically lock after 5 minutes from the status of unlocking; touch the touching area again to unlock. For first time use, press the power button to activate.



Power Indicator on the Left

LED Light	Light Status	
Blue	Stay On	Fully Charged the Product
	Slow Blinks	Charging
	Fast Blinks	Low Power
	Breathing	Start Working



Wireless Charging Indicator on the Right

LED Light	Light Status	
Green	Stay On	Wireless Charging
	Blinks	Error
Red	Stay On	Standby
Blue	Stay On	Fully Charged the End Device

Dashboard Holder:

Dashboard Holder is with an extendable mechanic arm, which allows the phone can be placed at the optimal charging position, achieving the maximum charging electronic current.

Tips:

- When using this product, please make sure that the product is connected to the power. To achieve fast charging, QC2.0/3.0 car charger is required.
- In case Mimosa freezes, touch the Power Button area to activate it.

Product Function- Instruction

- Automatic Induction gesture recognition, no need to manually switch the phone holder. Easy to operate by one hand
- Built-in wireless charging transmitter module for mobile phone for wireless charging

Product Function Parameters

- Input: 9V=2A; 5V=2A
- Output: 9V=1.12A; 9V=0.83A; 5V=1A
- Operating Temperature: -10 to 40 °C
- Charging Power: 10W (Max); 7.5W (for iPhone X/8/8+) and 5W.
- Charging Efficiency: 60% to 75%
- Standby Power Consumption: the average power consumption of the entire machine is less than 50mW per day.
- Over Temperature Protection: When charging, if the temperature goes over 40 °C the Mimosa will automatically stop charging and the transmitter light will flash red (one second on/one second off). When the temperature drops to 55 °C the device will automatically recharge.
- Over voltage protection: when charging, the input voltage is greater than 10V, automatically stops charging.
- Support WPC Qi wireless charging protocol.

Precautions

- Please carefully handle your charger and accessories, the following recommendations will help you effectively use the warranty service.
- Please keep the equipment dry. Rain, moisture and various liquid may contain minerals that will corrode the circuit. If the equipment is wet, please dry the product as soon as possible or use a soft cloth to wipe it clean.
- When charging, please select the regular 5V/2A, 9V/2A chargers. Do not use any damaged chargers.
- Please do not attempt to charge the equipment with battery exposed or case broken, and do not charge the equipment that are incompatible with this product.
- Do not store the equipment in a cold place. Otherwise, if temperature rises to normal temperature, moisture will pent up inside it and damage the electric appliance.
- Do not attempt to open the equipment, unauthorized dis-assembly or modification will damage equipment or related wireless charging functions.
- Do not throw, tap or shake the equipment; rough handling of the equipment will damage the internal circuit board and the mechanical structure.
- Use the clean and moist soft cloth to clean the surface of the equipment. Do not use or store the equipment in dusty or dirty places.
- Some components of this product are magnetic and metal materials may be adsorbed onto this product. Please do not use bank cards, credit cards or any other items with magnetic near the product so as to avoid losing the data stored due to demagnetization.

This equipment has been tested and found to comply with the limits for a Class B digital device, pursuant to part 15 of the FCC Rules. These limits are designed to provide reasonable protection against harmful interference in a residential installation. This equipment generates, uses and can radiate radio frequency energy and, if not installed and used in accordance with the instructions, may cause harmful interference to radio communications. However, there is no guarantee that interference will not occur in a particular installation. If this equipment does cause harmful interference to radio or television reception, which can be determined by turning the equipment off and on, the user is encouraged to try to correct the interference by one or more of the following measures:

- Reorient or relocate the receiving antenna.
- Increase the separation between the equipment and receiver.
- Connect the equipment into an outlet on a circuit different from that to which the receiver is connected.
- Consult the dealer or an experienced radio/TV technician for help.

Caution: Any changes or modifications to this device not explicitly approved by manufacturer could void your authority to operate this equipment.

This device complies with part 15 of the FCC Rules. Operation is subject to the following two conditions: (1) This device may not cause harmful interference, and (2) this device must accept any interference received, including interference that may cause undesired operation.

This equipment should be installed and operated with minimum distance 15cm between the radiator & your body.