



**FCC TEST REPORT**  
**FCC ID: 2AP2N-MAGARM**

On Behalf of

Shenzhen Esorun Technology Co., LTD

Magnetic Wireless Charger

Model No.: Magarm

Prepared for : Shenzhen Esorun Technology Co., LTD  
Address : 101, Dormitory Building, No. 1215, Guihua Community Guanguang  
Road, Guanlan Street, Longhua District, Shenzhen, China

Prepared By : Shenzhen Alpha Product Testing Co., Ltd.  
Address : Building i, No.2, Lixin Road, Fuyong Street, Bao'an District,  
518103, Shenzhen, Guangdong, China

Report Number : A2108052-C01-R02  
Date of Receipt : August 9, 2021  
Date of Test : August 9, 2021–August 19, 2021  
Date of Report : August 19, 2021  
Version Number : V0

## **TABLE OF CONTENTS**

<b>1. Test Result Summary .....</b>	<b>5</b>
<b>2. EUT Description.....</b>	<b>6</b>
2.1. Description of Device (EUT).....	6
2.2. Accessories of Device (EUT) .....	8
2.3. Tested Supporting System Details .....	8
2.4. Block Diagram of Connection between EUT and Simulators .....	8
2.5. Description of Test Modes .....	8
2.6. Test Conditions .....	8
2.7. Test Facility.....	9
2.8. Measurement Uncertainty .....	9
<b>3. Test Results and Measurement Data .....</b>	<b>10</b>
3.1. RF Exposure Test.....	10
<b>4. Photos of test setup .....</b>	<b>13</b>
<b>5. Photographs of EUT .....</b>	<b>15</b>

### TEST REPORT DECLARATION

Applicant : Shenzhen Esorun Technology Co., LTD  
 Address : 101, Dormitory Building, No. 1215, Guihua Community Guanguang Road, Guanlan Street, Longhua District, Shenzhen, China  
 Manufacturer : Shenzhen Esorun Technology Co., LTD  
 Address : 101, Dormitory Building, No. 1215, Guihua Community Guanguang Road, Guanlan Street, Longhua District, Shenzhen, China  
 EUT Description : Magnetic Wireless Charger  
 (A) Model No. : Magarm  
 (B) Trademark : **ESORUN**


Measurement Standard Used:

**FCC CFR Title 47 Part 15 Subpart C**

**FCC KDB 680106 D01 RF Exposure Wireless Charging App v03r01**

The device described above is tested by Shenzhen Alpha Product Testing Co., Ltd. to determine the maximum emission levels emanating from the device and the severe levels of the device can endure and its performance criterion. The test results are contained in this test report and Shenzhen Alpha Product Testing Co., Ltd. is assumed full responsibility for the accuracy and completeness test. Also, this report shows that the EUT is technically compliant with the KDB 680106 D01 requirements.

This report applies to above tested sample only. This report shall not be reproduced in parts without written approval of Shenzhen Alpha Product Testing Co., Ltd.

Tested by (name + signature).....: Yannis Wen  
 Project Engineer 

Approved by (name + signature).....: Simple Guan  
 Project Manager 

Date of issue..... : August 19, 2021

**Revision History**

Revision	Issue Date	Revisions	Revised By
V0	August 19, 2021	Initial released Issue	Yannis Wen

## 1. Test Result Summary

Requirement	CFR 47 Section	Result
RF EXPOSURE	§1.1307(b)(1) & KDB680106	PASS

**Note:**

1. *PASS: Test item meets the requirement.*
2. *Fail: Test item does not meet the requirement.*
3. *N/A: Test case does not apply to the test object.*
4. *The test result judgment is decided by the limit of test standard.*

## 2. EUT Description

### 2.1. Description of Device (EUT)

EUT Name	:	Magnetic Wireless Charger
Model No.	:	Magarm
DIFF.	:	N/A
Trademark	:	<b>ESORUN</b>
Power supply	:	Type-C Input : 5V =2A, 9V =2A, 12V =2A Wireless Output : 5W, 7.5W, 10W, 15W
Operation frequency	:	115~205KHz
Modulation	:	MSK
Antenna Type	:	Coil Antenna, Maximum Gain is 0dBi (This value is supplied by applicant).
Software version	:	V1.0
Hardware version	:	Ver:1.0
Intend use environment	:	Residential, commercial and light industrial environment

<b>Conditions requirement</b>	<b>Answers</b>
Power transfer frequency is less than 1 MHz.	After measuring the product the transfer frequency is 0.115-0.205MHz
Output power from each primary coil is less than or equal to 15 watts.	After measuring the product the each primary coil power is 15 watts
The system may consist of more than one source primary coils, charging one or more clients. If more than one primary coils present, the coil pairs may be powered on at the same time.	The transfer system includes only single primary.
Client device is placed directly in contact with the transmitter.	Client device is placed directly in contact with the transmitter.
Mobile exposure conditions only (portable exposure conditions are not covered by this exclusion).	Mobile exposure conditions only.
The aggregate H-field strengths anywhere at or beyond 15 cm surrounding the device, and 20 cm away from the surface from all coils that by design can simultaneously transmit, and while those coils are simultaneously energized, are demonstrated to be less than 50% of the applicable MPE limit.	After measuring the product the Max H-field Strength is 0.757A/m Far less than 50% of the MPE limit; the Max E-field Strength is 1.612V/m Far less than 50% of the MPE limit.

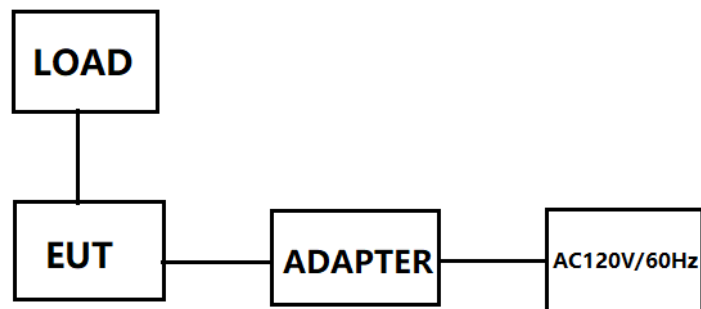
## 2.2. Accessories of Device (EUT)

Accessories1 : /  
 Manufacturer : /  
 Model : /  
 Ratings : /

## 2.3. Tested Supporting System Details

No.	Description	Manufacturer	Model	Serial Number	Certification
1	Wireless load	--	--	--	--
2	Adapter	--	--	--	--

## 2.4. Block Diagram of Connection between EUT and Simulators



## 2.5. Description of Test Modes

Channel	Frequency (KHz)
1	133

## 2.6. Test Conditions

Items	Required	Actual
Temperature range:	15-35°C	24°C
Humidity range:	25-75%	56%
Pressure range:	86-106kPa	98kPa



## 2.7. Test Facility

Shenzhen Alpha Product Testing Co., Ltd

Building i, No.2, Lixin Road, Fuyong Street, Bao'an District, 518103, Shenzhen, Guangdong, China

June 21, 2018 File on Federal Communication Commission

Registration Number: 293961

July 15, 2019 Certificated by IC

Registration Number: CN0085

## 2.8. Measurement Uncertainty

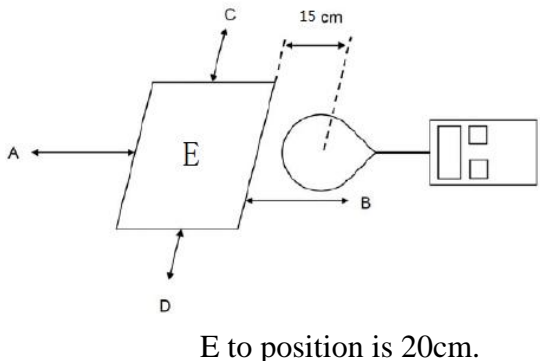
(95% confidence levels, k=2)

Item	Uncertainty
Uncertainty for H-Field	2.39dB
Uncertainty for E-Field	2.45dB
Uncertainty for conducted RF Power	0.65dB
Uncertainty for temperature	0.2°C
Uncertainty for humidity	1%
Uncertainty for DC and low frequency voltages	0.06%

### 3. Test Results and Measurement Data

#### 3.1. RF Exposure Test

##### 3.1.1. Test Specification

<b>Test Requirement:</b>	<b>FCC Rules and Regulations KDB680106</b>
<b>Test Method:</b>	§1.1307(b)(1) & KDB680106
<b>Limits:</b>	According to §1.1307(b)(1), systems operating under the provisions of this section shall be operated in a manner that ensures that the public is not exposed to radio frequency energy level in excess of the Commission's guidelines. According to §1.1310 and §2.1093 RF exposure is calculated. According KDB680106 D01v03r01: RF Exposure Wireless Charging.
<b>Test Setup:</b>	 <p>E to position is 20cm.</p>
<b>Test Mode:</b>	Charging + Transmitting Mode
<b>Test Procedure:</b>	<ol style="list-style-type: none"> <li>1. The RF exposure test was performed on 80cm insulated table in anechoic chamber.</li> <li>2. The measurement probe was placed at test distance (15cm) which is between the edge of the charger and the geometric centre of probe.</li> <li>3. The highest emission level was recorded and compared with limit as soon as measurement of each points (A, B, C, D, E) were completed.</li> <li>4. The EUT were measured according to the dictates of KDB 680106D01v03r01.</li> </ol>
<b>Test Result:</b>	PASS

### 3.1.2. Test Instruments

Item	Equipment	Manufacturer	Model No.	Serial No.	Last Cal.	Cal. Interval
1	Exposure Level Tester	narda	ELT-400	N-0231	2020.09.02	1 Year
2	Magnetic field probe 100cm2	narda	ELT probe 100cm2	M0675	2020.09.02	1 Year
3	Isotropic Electric Field Probe	narda	EP-601	511WX60706	2020.09.02	1 Year

### 3.1.3. Test data

For Full load mode:

E-Field Strength at 15 cm for position A,B,C,D 20cm for position E from the edges surrounding the EUT (V/m)

Frequency Range (MHz)	Test Position A	Test Position B	Test Position C	Test Position D	Test Position E	Limit (50%) (V/m)	Limits Test (V/m)
0.115-0.205	1.396	1.351	1.293	1.332	1.315	307	614

H-Filed Strength at 15 cm for position A,B,C,D 20cm for position E from the edges surrounding the EUT (A/m)

Frequency Range (MHz)	Test Position A	Test Position B	Test Position C	Test Position D	Test Position E	Limit (50%) (A/m)	Limits Test (A/m)
0.115-0.205	0.648	0.626	0.597	0.616	0.608	0.815	1.63

For Half load mode:

E-Field Strength at 15 cm for position A,B,C,D 20cm for position E from the edges surrounding the EUT (V/m)

Frequency Range (MHz)	Test Position A	Test Position B	Test Position C	Test Position D	Test Position E	Limit (50%) (V/m)	Limits Test (V/m)
0.115-0.205	1.528	1.507	1.354	1.457	1.363	307	614

H-Filed Strength at 15 cm for position A,B,C,D 20cm for position E from the edges surrounding the EUT (A/m)

Frequency Range (MHz)	Test Position A	Test Position B	Test Position C	Test Position D	Test Position E	Limit (50%) (A/m)	Limits Test (A/m)
0.115-0.205	0.714	0.704	0.627	0.679	0.632	0.815	1.63

For Null load mode:

E-Field Strength at 15 cm for position A,B,C,D 20cm for position E from the edges surrounding the EUT (V/m)

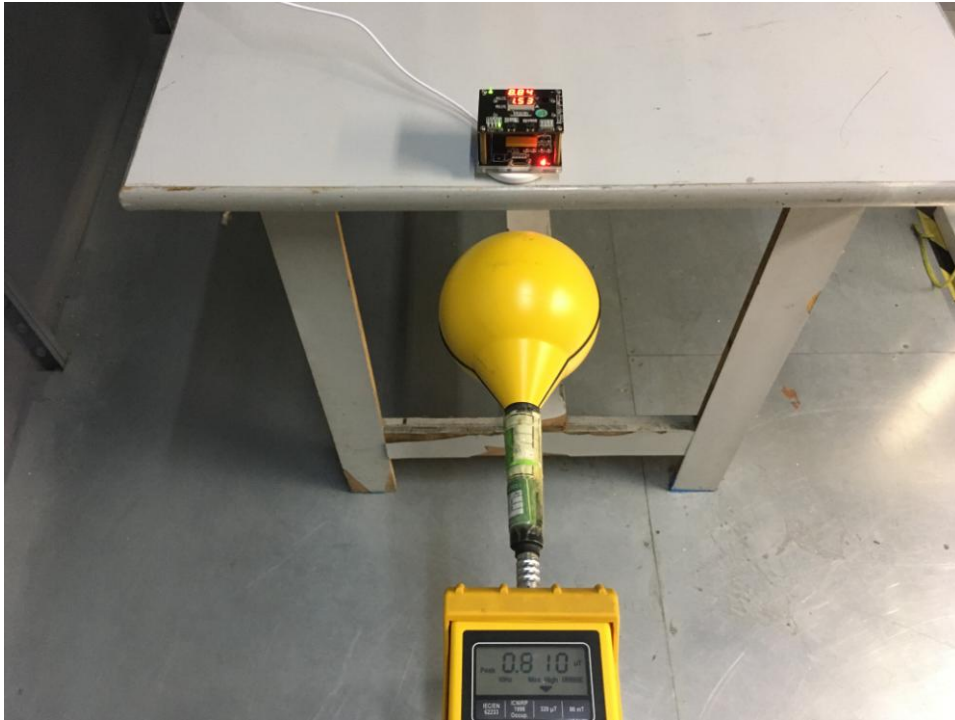
Frequency Range (MHz)	Test Position A	Test Position B	Test Position C	Test Position D	Test Position E	Limit (50%) (V/m)	Limits Test (V/m)
0.115-0.205	1.612	1.502	1.463	1.469	1.465	307	614

H-Filed Strength at 15 cm for position A,B,C,D 20cm for position E from the edges surrounding the EUT (A/m)

Frequency Range (MHz)	Test Position A	Test Position B	Test Position C	Test Position D	Test Position E	Limit (50%) (A/m)	Limits Test (A/m)
0.115-0.205	0.757	0.717	0.715	0.723	0.664	0.815	1.63

#### 4. Photos of test setup

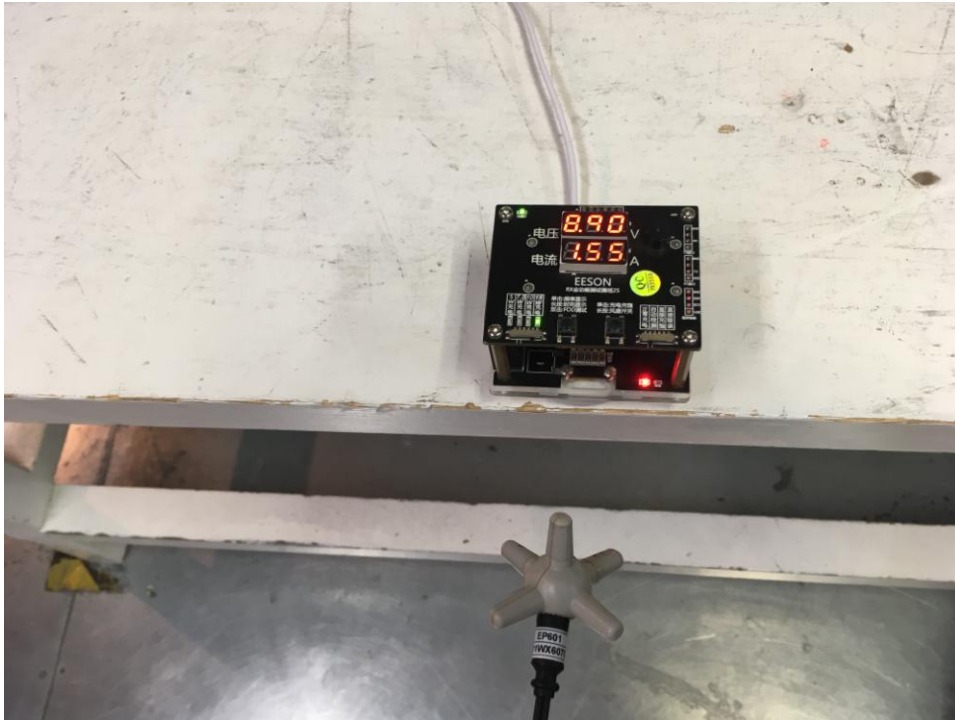
For Full load mode



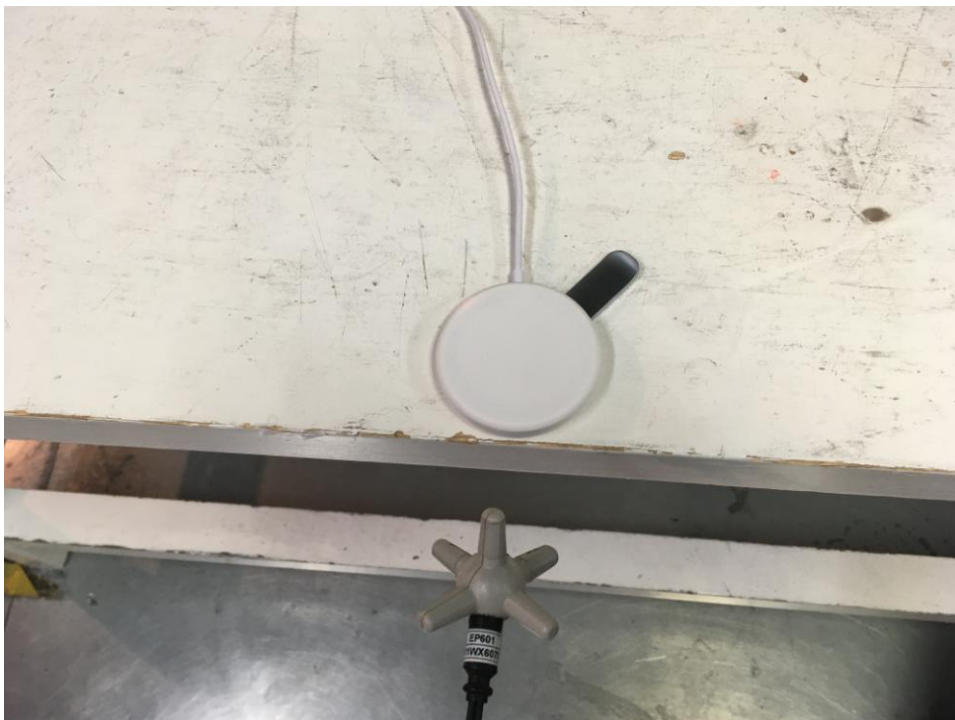
For No load mode



For Full load mode



For No load mode



## **5. Photographs of EUT**

Refer to test report A2108052-C01-R01.

-----End-----