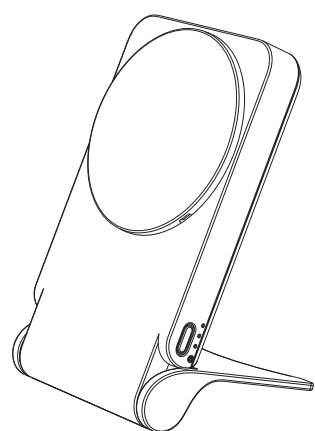
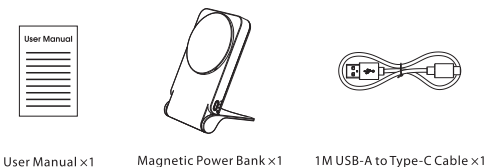


# User Manual

Model: Fold M51  
5000mAh Magnetic Wireless Power Stand  
for iPhone 14 / 13 / 12 and subsequent series, AirPods 3



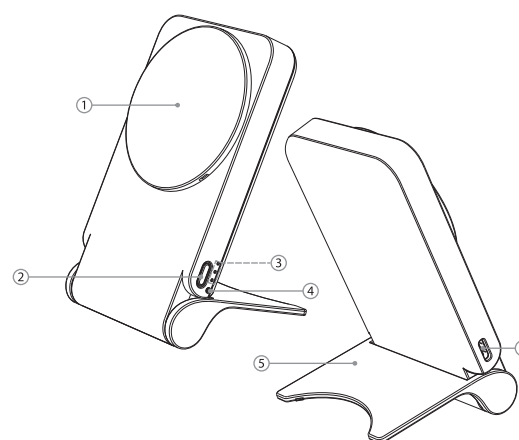
## What's Included



## Specifications

Battery Capacity	5000mAh
Type C Input	5V/2A
Type C Output	5V/2A
Wireless Output	5W
Simultaneous Output	5W+5W/0.5A
Charging Efficiency	>85%
Transmission Distance	6mm
Product size	4.33*2.48*0.7 inch
Weight	5.29oz(150g)

## Product Structure



- ① Wireless Charging Area
- ② Switch
- ③ Power Rate Indicator
- ④ Wireless Charging Status Indicator
- ⑤ Foldable Stand
- ⑥ Type-C Input/Output

## LED Usage

### Power Rate Indicator

Fully Charged	Green LED Stays On
Low Battery	The 1st LED Flashing
Charging the Power Bank	Green LED Flashing

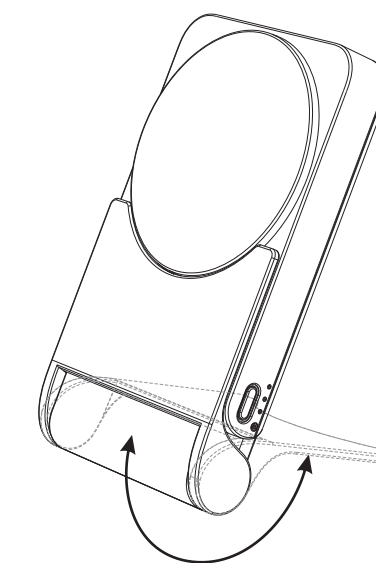
Power 67%-100%	3
Power 34%-66%	2
Power 1%-33%	1

### Wireless Charging Status Indicator

Wireless Charging Working Properly	Blue LED Stays On
Fully Charged	Blue LED Stays On
FOD	Blue LED Flashing

## Stand

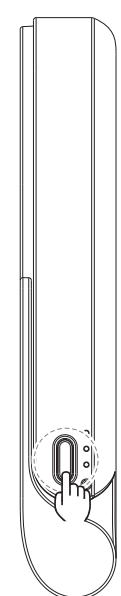
The stable stand of this power can be folded to flat for travelling. Not only a stand, but also a power bank. When you don't need to charge, it can be a MagSafe stand to support your phone (horizontally or vertically). Just need to press the switch twice to turn off.



中性版本 不带额定容量 注意区分

## How To Use

### Use of Switch



Single Press: Turn on  
Double Press: Turn Off

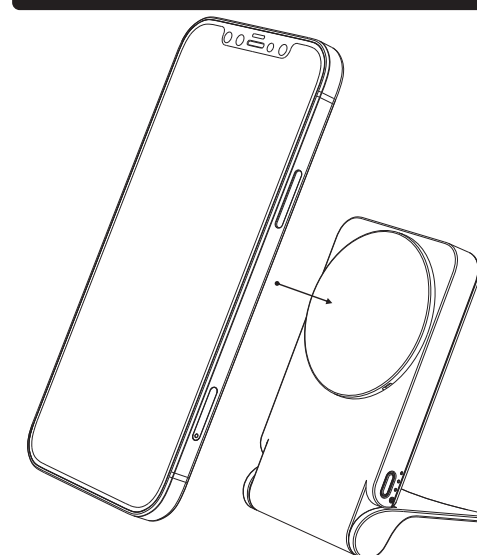
Press the switch once to power on and the battery indicator will light up. Then it's in standby mode and other devices will be charged. Press the switch twice continuously, it's power off to be only a phone stand.

## Wireless Charging Operation

Please fit the product with the back of your iPhone (12, 13, 14 series or AirPods 3) or other wireless charging phone (which with MagSafe-compatible ring attached), then it will charge your phone automatically via the built-in magnetic wireless charging. Max to be 15W, and iPhone series is 7.5W due to iPhone's restrict.

### Note:

- The magnetic wireless power bank is mainly used for iPhone 12, iPhone 13, iPhone 14 series, or phones with MagSafe-compatible ring attached (Please note some of MagSafe-compatible rings from the 3rd might not work). And it can also used with AirPods 3.
- Please press the switch to turn on the power bank before charging your device.



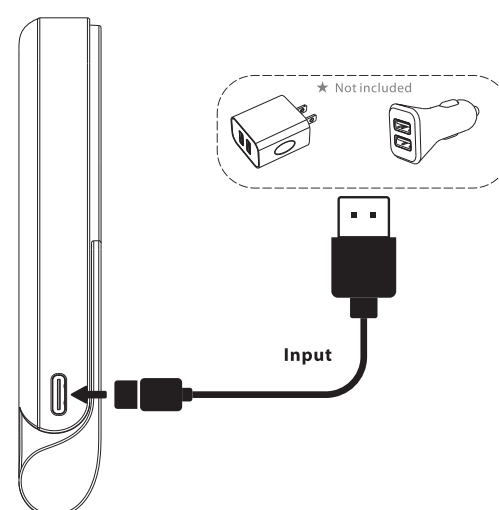
## Charging The Power Bank

Please recharge the product when the power or battery is low.

- Using the included cable (like USB-A to Type-C cable or C TO C), connect the USB-A or C connector into adapter and the Type-C connector to the input connector of the power bank.
- During charging, Green LED indicators will flash to show charging status.
- When charging is complete the Green LED indicators will stay on.

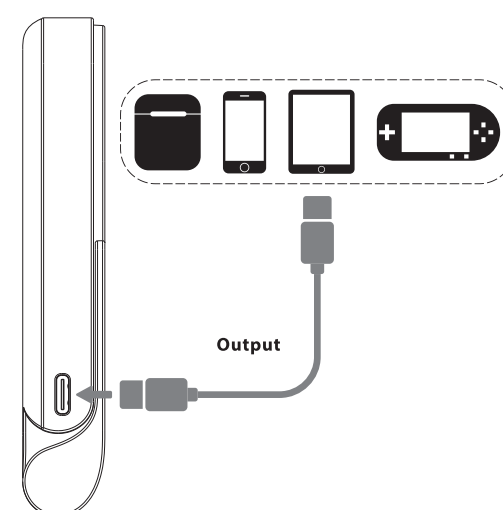
### Pass Through Charging

You can put (stick to) your iPhone 12/13/14 series, AirPods 3 on the wireless charging area and connect this power bank to the power source. It will charge the power bank itself and your iPhone 12/13/14/Airpods 3 at the same time.



## Power Bank Operation

- Insert the charging cable Type C end into Output.
- Plug the other end of the cable into a terminal such as phone.
- Using the USB-A to Type-C or C-C cable (Not included), connect the C cable into the power bank and the other side to the devices you want to charge, such as iPad, phone, earphone, Switch and soon.

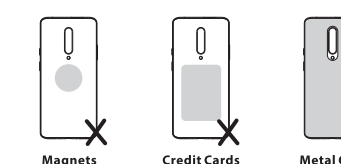


## Warning

- Do not drop, misuse or apply excessive force to your power bank. Power banks contain batteries and a circuit board with fragile components that can be damaged if misused.
- If your power bank swells or bulges, stop use immediately and dispose of the power bank in an appropriate manner.
- Store power bank in a cool and dry place. Do not store in hot or humid environments.
- All power banks have safety power cut off features to stop overcharging & overheating.
- When charging a device the power bank may feel warm, this is a normal operating condition & should not be cause for concern.
- It's normal that this charger and your smart phone will be hot under operating conditions and it may be more hotter when charging and using at the same time (such as playing music).
- In normal conditions, battery performance will decline over several years.

## Remarks

When your wireless power bank works improperly  
1. Make sure there is no any clutter on the wireless power bank, such as magnet, metal, credit card and other foreign object.  
2. When the wireless power bank is over-heating take your mobile device away from your wireless power bank and the power bank will stop charging automatically when over-heating. Please try charging again when the wireless power bank cooling down.



品名:	Fold-M51-中性说明书	规格:	100g 双胶纸 黑白 双面印刷 风琴折 尺寸: 80x120 mm
版本:	20230602		
制作:	李志敏		
料号:			

This equipment has been tested and found to comply with the limits for a Class B digital device, pursuant to part 15 of the FCC Rules. These limits are designed to provide reasonable protection against harmful interference in a residential installation. This equipment generates, uses and can radiate radio frequency energy and, if not installed and used in accordance with the instructions, may cause harmful interference to radio communications. However, there is no guarantee that interference will not occur in a particular installation. If this equipment does cause harmful interference to radio or television reception, which can be determined by turning the equipment off and on, the user is encouraged to try to correct the interference by one or more of the following measures:

- Reorient or relocate the receiving antenna.
- Increase the separation between the equipment and receiver.
- Connect the equipment into an outlet on a circuit different from that to which the receiver is connected.
- Consult the dealer or an experienced radio/TV technician for help.

Caution: Any changes or modifications to this device not explicitly approved by manufacturer could void your authority to operate this equipment.

This device complies with part 15 of the FCC Rules. Operation is subject to the following two conditions: (1) This device may not cause harmful interference, and (2) this device must accept any interference received, including interference that may cause undesired operation.

The device has been evaluated to meet general RF exposure requirement.