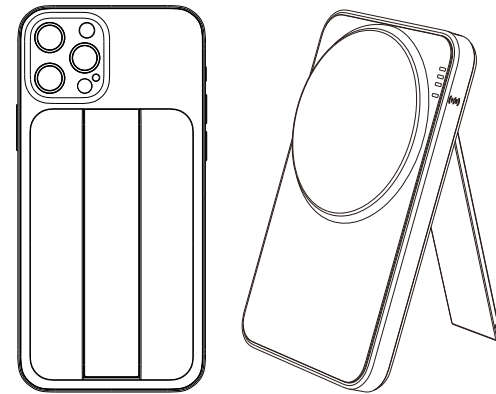
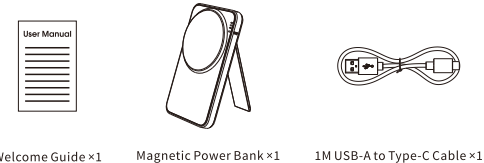


# User Manual

Model: Dock5/Dock5000  
5000mAh Magnetic Wireless Power Stand  
for iPhone 14 / 13 / 12/ AirPods 3



## What's Included



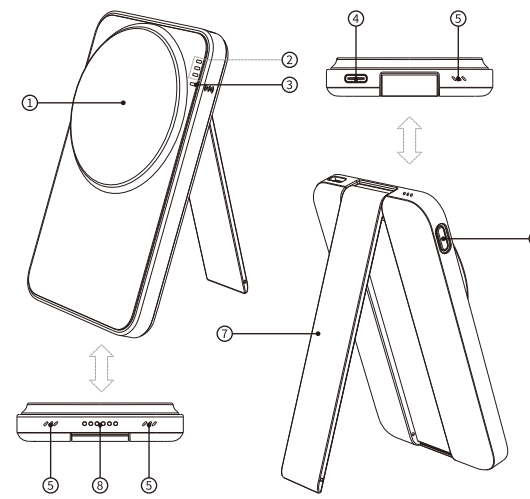
Welcome Guide x1    Magnetic Power Bank x1    1M USB-A to Type-C Cable x1

## Specifications

Battery Capacity	5000mAh
Rated Capacity	3250mAh
Type C Input	5V/2.5A, 9V/2A, 12V/1.5A (Max 18W)
Type C Output	5V/2.4A, 9V/2.22A, 12V1.5A (Max 20W)
Wireless Output	5W, 7.5W, 10W (Max)
Simultaneous Output	5W/3A
Charging Efficiency	≥75%
Transmission Distance	6mm
Product size	4.45"2.67"0.51 inch
Weight	5.82 oz (165g)

P1

## Product Structure



- ① Wireless Charging Area ----- \* P6
- ② Power Rate Indicator ----- \* P3
- ③ Wireless Charging Status Indicator ----- \* P3
- ④ Pass-through charging via Type C Input/Output ----- \* P7-P8
- ⑤ Heat Dissipation Design ----- \* P3
- ⑥ Switch ----- \* P5
- ⑦ Foldable & Adjustable Aluminum Stand (0-180°) ----- \* P4
- ⑧ Copper Sheet for the Charging Dock (DMS03)

P2

## LED Usage

**Power Rate Indicator**

Fully Charged	Green LED Stays On
Low Battery	The 1st LED Flashes
Charging the Power Bank	Green LED Flashes

**Wireless Charging Status Indicator**

Wireless Charging Working Properly	Blue LED Breathing
Fully Charged	Blue LED Breathing
FOD	Blue LED Flashes

Power 67%-100%  
3 [Bar Icon]

Power 34%-66%  
2 [Bar Icon]

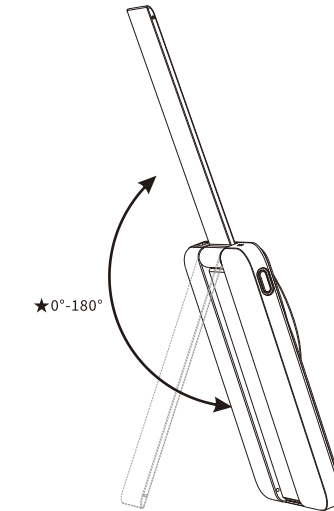
Power 1%-33%  
1 [Bar Icon]

P3

## Stand

The stable stand of this power bank is not only for the angle-adjusting, but also can be folded to flat for travelling. You can adjust the angle(0-180°) according to your needs. When you need not to charge, you can use it as a simple MagSafe stand to support your phone (in horizontally or vertically). Just need depressing the switch by double quick press.

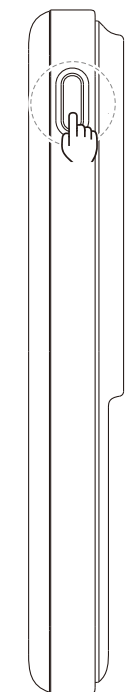
**Please Note:** Certain Vibration will restart the Charging Again.



P4

## How To Use

### Use Of Switches



**Single Press: Turn on**  
**Double Press: Turn Off**

Press the switch once to power on the product the battery indicator will light up. Then it is in the standby state and other devices can be charged. Press the switch twice continuously, then the output will turn off.

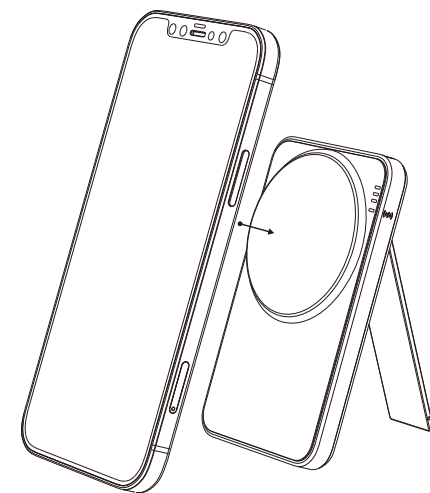
**Tips:**  
In standby mode it will turn off automatically after about 35 seconds without performing other.

P5

## Wireless Charging Operation

Please fit the product with the back of your iPhone (12, 13, 14 series or AirPods 3) or other wireless charging phone (which with Magsafe-compatible ring attached, it will charge your phone automatically via the built-in magnetic wireless charging, Max to be 15W, iPhone series is 7.5W due to iPhone's restrict.

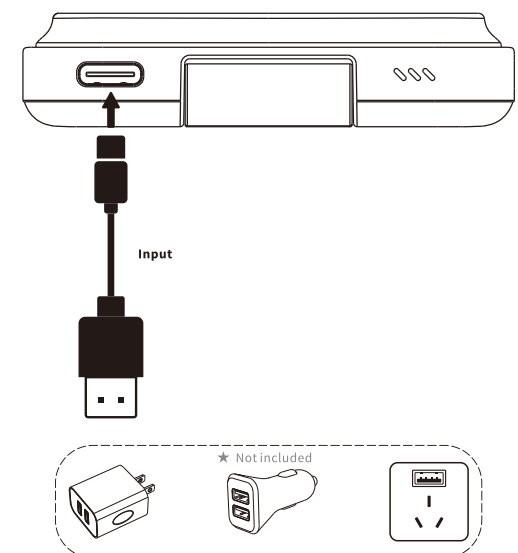
**Note:**  
1. The magnetic wireless power bank is mainly used for iPhone 12, iPhone 13, iPhone 14 series, or phones with magnetizing rings attached. And it can also be used with AirPods 3.  
2. The power bank has a built-in vibration sensor when you place the iPhone or AirPods 3 in the charging area, then charging will automatically turn on (if you just want to use the magnetic stand function, just double-click on the power switch to turn off the charging function).



P6

## Charging The Power Bank

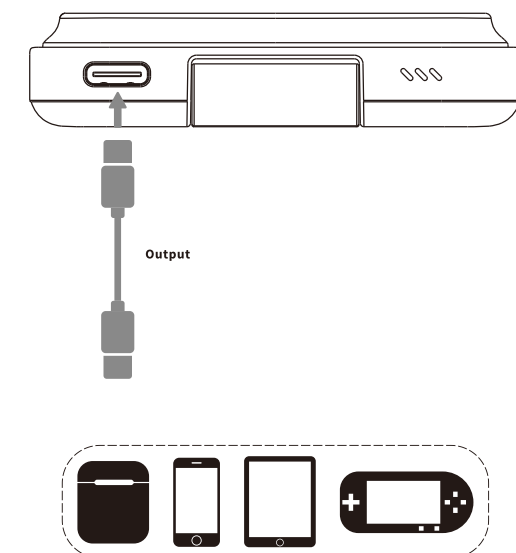
**Please recharge the product when the power or battery is low.**  
1. Using the included cable (like USB-A to Type-C cable or C TO C), connect the USB-A or C connector into QC/PD adapter and the Type-C connector to the input connector of the power bank.  
2. During charging, Green LED indicators will flash to show charging status.  
3. When charging is complete the Green LED indicators will stay on.



P7

## Power Bank Operation

1. Insert the charging cable USB A or Type C end into Output.  
2. Plug the other end of the cable into a terminal such as phone.  
**Pass Through Charging**  
You can put (Stick to) your iPhone 12/13/14 series, AirPods 3 on the charging area and connect this power bank to the power source (PD or QC Adapter). It will charge the power bank itself and your iPhone 12/13/14/Airpods 3 at the same time.

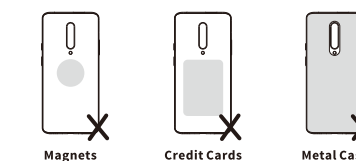


P8

**Warning**

- Do not drop, misuse or apply excessive force to your power bank. Power banks contain batteries and a circuit board with fragile components that can be damaged if misused.
- If your power bank swells or bulges, stop use immediately and dispose of the power bank in an appropriate manner.
- Store power bank in a cool and dry place. Do not store in hot or humid environments.
- All power banks have safety power cut off features to stop overcharging & overheating.
- When charging a device the power bank may feel warm, this is a normal operating condition & should not be cause for concern.
- It's normal that this charger and your smart phone will be hot under operating conditions and it may be more hotter when charging and using at the same time (such as playing music).
- In normal conditions, battery performance will decline over several years.

**Remarks**  
**When your wireless power bank works improperly**  
1. Make sure there is no any clutter on the wireless power bank, such as magnet, metal, credit card and other foreign object.  
2. When the wireless power bank is over-heating take your mobile device away from your wireless power bank and the power bank will stop charging automatically when over-heating. Please try charging again when the wireless power bank cooling down.



FC CE RoHS  
Made in China

P9

品名:	Dock 5-说明书	规格:	100g 双胶纸 黑白 双面印刷 风琴折 尺寸:80x120 mm
版本:	20220822		
制作:	李志敏		
料号:			

This equipment has been tested and found to comply with the limits for a Class B digital device, pursuant to part 15 of the FCC Rules. These limits are designed to provide reasonable protection against harmful interference in a residential installation. This equipment generates, uses and can radiate radio frequency energy and, if not installed and used in accordance with the instructions, may cause harmful interference to radio communications. However, there is no guarantee that interference will not occur in a particular installation. If this equipment does cause harmful interference to radio or television reception, which can be determined by turning the equipment off and on, the user is encouraged to try to correct the interference by one or more of the following measures:

- Reorient or relocate the receiving antenna.
- Increase the separation between the equipment and receiver.
- Connect the equipment into an outlet on a circuit different from that to which the receiver is connected.
- Consult the dealer or an experienced radio/TV technician for help.

Caution: Any changes or modifications to this device not explicitly approved by manufacturer could void your authority to operate this equipment.

This device complies with part 15 of the FCC Rules. Operation is subject to the following two conditions: (1) This device may not cause harmful interference, and (2) this device must accept any interference received, including interference that may cause undesired operation.

The device has been evaluated to meet general RF exposure requirement.