

Suction



When the suction cup is dirty, use a damp cloth to gently wipe the stain and dry it for use.

Warning

When your wireless power bank works improperly

1. Make sure there is no any clutters on the wireless power bank.
2. When the wireless power bank is over-heating, take your mobile device away from your wireless power bank, and the power bank will stop charging automatically when over-heating. Please try charging again when the wireless power bank cooling down.

Remarks

It's normal that this charger and your smart phone will be hot under operating conditions, and it may be more hotter when charging and using at the same time (such as playing music)

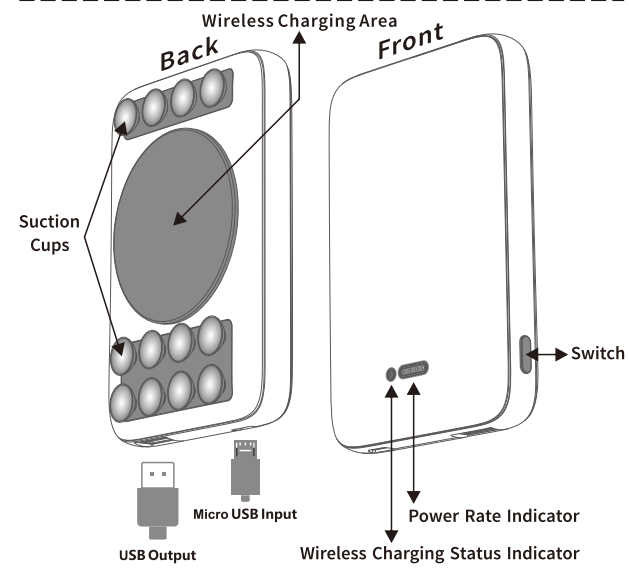


CE FC RoHS Made in China

User Manual

Model: Box-5000W

In the box:



Note:

Thank you for your acquisition of this compact power bank wireless charger, compatible with all Qi devices like Samsung S7/S7 edge, S8/S8 edge, S9/S9 edge, S10/S10 edge, iPhone 8/8 Plus, iPhone X, iPhone XR, iPhone XS, iPhone XS MAX.

For optimum performance and safety, please read this manual carefully before using this product.

Specifications:

Capacity: 5000mAh
Input: 5V/2A
Charging Efficiency: $\geq 75\%$
Product size: 95 x 63 x 15 mm

USB Output: 5V/2A
Wireless Output: 5V/1A (5W)
Transmission Distance: $\leq 6\text{mm}$

How to Use

Switch

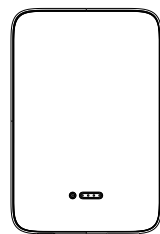


Use of switches

Press the switch once to turn on the product, the battery indicator will light up. Then it is in the standby state and other devices can be charged.
In the power on state, press the switch twice continuously, or press and hold the power button for 5 seconds to turn off the power.

Tips: In standby state, if you do not perform other operations, it will automatically shut down after about 20 seconds. If you need to use it again, please press the switch again.

Indicator



Power Rate Indicator

25%-49% 75%-100%

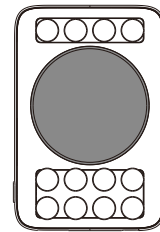
0%-24% 50%-74%

The battery indicator is steady blue.

Wireless Charging Status Indicator

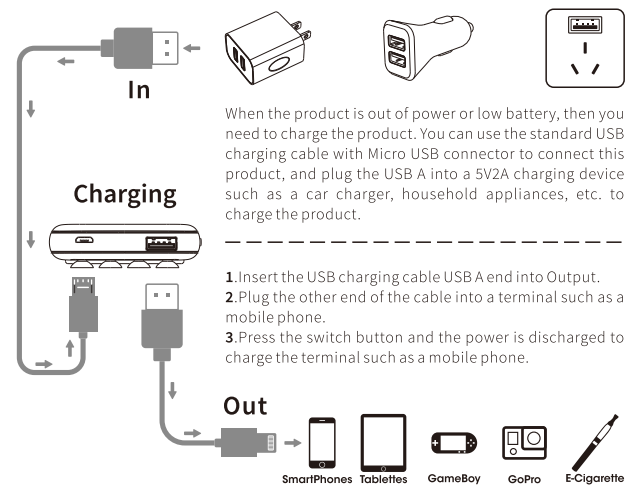
Green light on, wireless charging.
Red light on, wireless charging is standby.
Red light and the green light flashes alternately, wireless charging is abnormal.

Wireless Charging



Please put the single-row suction cup and mobile phone's camera face up, as shown in the figure

For wireless charging, to charge the device more efficiently, align the wireless charging area of the product with the wireless charging receiving area of the device.
For most mainstream models, this product ensures that the camera is not blocked during use.



When the product is out of power or low battery, then you need to charge the product. You can use the standard USB charging cable with Micro USB connector to connect this product, and plug the USB A into a 5V2A charging device such as a car charger, household appliances, etc. to charge the product.

1. Insert the USB charging cable USB A end into Output.
2. Plug the other end of the cable into a terminal such as a mobile phone.
3. Press the switch button and the power is discharged to charge the terminal such as a mobile phone.

This equipment has been tested and found to comply with the limits for a Class B digital device, pursuant to part 15 of the FCC Rules. These limits are designed to provide reasonable protection against harmful interference in a residential installation. This equipment generates, uses and can radiate radio frequency energy and, if not installed and used in accordance with the instructions, may cause harmful interference to radio communications. However, there is no guarantee that interference will not occur in a particular installation. If this equipment does cause harmful interference to radio or television reception, which can be determined by turning the equipment off and on, the user is encouraged to try to correct the interference by one or more of the following measures:

- Reorient or relocate the receiving antenna.
- Increase the separation between the equipment and receiver.
- Connect the equipment into an outlet on a circuit different from that to which the receiver is connected.
- Consult the dealer or an experienced radio/TV technician for help.

Caution: Any changes or modifications to this device not explicitly approved by manufacturer could void your authority to operate this equipment.

This device complies with part 15 of the FCC Rules. Operation is subject to the following two conditions: (1) This device may not cause harmful interference, and (2) this device must accept any interference received, including interference that may cause undesired operation.

The device has been evaluated to meet general RF exposure requirement. The device can be used in portable exposure condition without restriction.