



Smart Electronic Key

An instruction manual



Chengdu Hizima Technology Co., Lt



1. Product introduction

1.1. Product overview

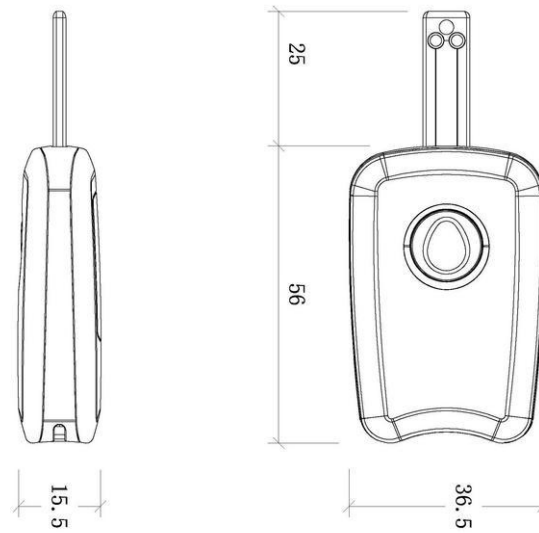


ZMK3-1U Smart Electronic Key built-in financial level security chip, unable to copy and crack. Built in rechargeable lithium battery provides power for intelligent lock core. After receiving the encryption command, the smart key is encrypted and authenticated with the lock core. After the authentication is passed, the intelligent lock core can be opened.

The smart key uses low power Bluetooth (BLE) chip, which uses the Bluetooth function of the smart phone to connect the key with the key, and completes the functions of pairing, deleting, managing and opening the key with the lock core. Through the authorization management of the mobile APP, a smart key can open multiple intellectual lock cores with authority. It breaks the old traditional concept of "one key opens a lock", and easily realizes the distributed centralized management of mass lock groups, making your work life more convenient, more flexible and safer.

If you lose the smart key carelessly and do not need to replace the lock core, only the backstage management system can report the missing key through APP and remove the unlocking permissions of the missing key.

1.2. Product size



1.3. Basic parameters

Main material	PC+ABS grit shell, stainless steel key
External port	Micro USB socket to support charging treasure charging
communication interface	Low power Bluetooth BLE4.0
External keys	Noctilucent lamp / pull out
Signal indication	Power, open state, charging lamp
Battery information	Built-in 100mAh rechargeable lithium battery
position in readiness	Normal charge is completed and usually can be used for 3-6 months
Charging requirements	DC5V \pm 0.3V, DC 50mA \pm 5mA
Charging time	A full charge of about 120-150 minutes at a time
Support number of lock core	Depending on the specific model
working temperature	-20 $^{\circ}$ C — 70 $^{\circ}$ C
Protection grade	IP54
Product weight	28g



2. Product characteristics

2.1. Open a key to multiple locks

The smart key has a built-in microprocessor, which makes a physical key virtual to multiple logical keys, set up through the right pair, so that it has the function of opening a number of keys, breaking the "one key open a lock" of the Millennium habit. A smart key can replace a string of traditional keys, make your home trip easier, and the industry is more convenient to use on a large scale.

2.2. Security high defense forgery

Smart lock core and smart key have security chips, using AES and 3DES two-way encryption authentication, the key can be up to 128 bits, match the bank financial CPU card encryption system. At present, the technology is only theoretically possible to be cracked. The ID and 128 bit keys up to 44 bits have almost zero interoperability.

2.3. Fine management function

The intelligent APP manages the matching of the smart key and the lock core, easily completes the self-service key, a key opening multiple locks, the password modification, the deletion of the key, the deletion of the lock core, the modification of the lock core and the key name, the reset core, the lock core mode, the key mode and the key firmware upgrade.

2.4. Bluetooth communication interface

The smart key has a low power Bluetooth communication interface. It is convenient to connect the smart phone and realize the digital management of the intelligent key and the lock core, instead of the traditional mechanical irreversible key.

2.5. Other characteristics

1、 The built-in rechargeable lithium battery has the function of the night light, so that users can find keyhole locks in the dark.

2、 The key does not distinguish the right and the reverse sides, both sides can be opened, and the habit of locking is consistent with the mechanical key.

3、 The key rod is made of stainless steel, and its strength is much larger than that of the mechanical key. The shell is made of PC+ABS plastic.

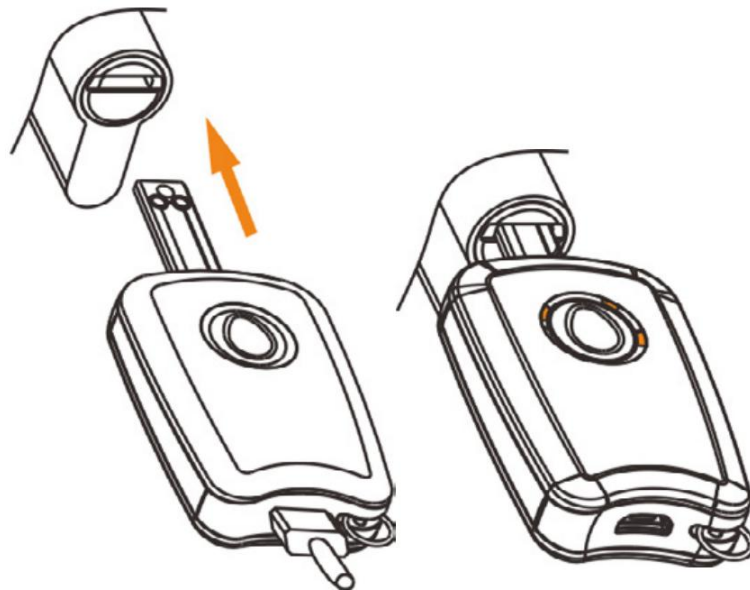
4、 Modeling into modern industrial product design concept, fashionable and beautiful.



3. Quick use guide

3.1. Key detection

- 1、 The key that has been authorized to match the key (not the opposite side of the key head) is inserted into the lock hole, the small night light is always bright, the 4 indicator on the front of the key is flickering continuously, and the lock core can be opened.
- 2、 The unauthorized pairing key is inserted into the keyhole, the night light is not lighted, the indicator lamp is long and bright, and the remaining power is displayed.



3.2. Unlocking and anti lock operation

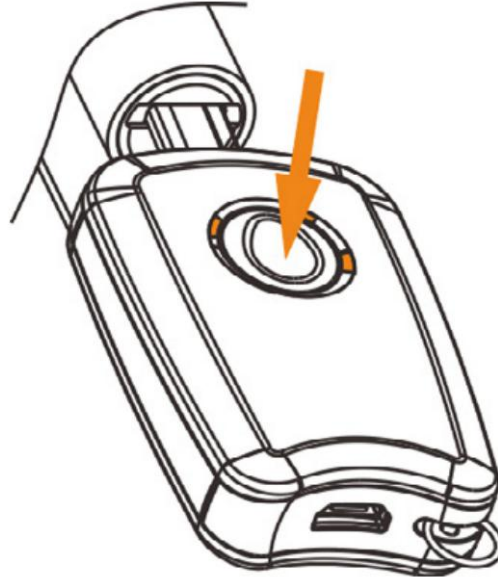
The rotary key can be operated by unlocking and locking. There is no difference between the way of use and the ordinary mechanical lock / mechanical key.





3.3. Take out the key

Press the button first. Don't pull the key at this time. When the indicator lamp on the front of the key stops flashing, the key can be removed.



Matters needing attention:

- 1、 Please do not press the button when rotating, otherwise the lock core will enter the locking state.
- 2、 Please do not press the button while taking the key, otherwise the key can not be successfully removed.
- 3、 If the key can not be successfully removed, please turn the key to a small angle and try again.
- 4、 Please keep the key contact clean, otherwise it may affect the normal unlocking because of poor contact.

3.4. management lock and key

Before using the smart assistant APP to set up the smart key, the smart lock core is not inserted, otherwise the key will not respond to any operation of the intelligent assistant.

If you want to manage the smart lock core, connect the smart key with the mobile phone flat plate first, then insert the intelligent lock core.

3.5. Night light

- 1、 Insufficient lighting environment, small night lights can assist in finding keyhole. Press the button and the night light is on. After the release button, the night light goes out.
- 2、 The lock core has been paired with the key. When the key is inserted into the lock core, the night light is always bright, and the front 4 indicator lights are glinting.
- 3、 If the lock core is not matched with the key (unable to open the door), when the key is inserted



into the lock core, the indicator lights often indicate the remaining power.

4、 When you take the key, press the button and the night light goes out. The indicator lights stop flashing and indicate the remaining power.

3.6. Charging description

1、 When the key power is low, the 1/4 power indicator lamp will blink before taking the key. Please charge it in time.

2、 When the key is not enough, when the key is inserted, the lock core will not start. The night light flickers. It must be charged immediately.

3、 When the key is charged, the four headlights on the front direction indicate the current power: one indicator flashes when the power is 1/4; when the power is 2/4, two indicator lights flicker; when the electricity is 3/4, the three indicator lights flicker; when full, the four indicator lights are long.

4、 It is full of electricity and can be used for 3-6 months. It is suggested that you charge the key regularly.

3.7. Key reset

The failure of electronic products is inevitable. When this problem occurs, the following method can be reset (reset, the time of the industry key and the offline open access will be lost, please reset it):

1、 Find a clip and break it straight;

2、 Insert vertically from the reset hole of the key, and press it slightly up and down.

3、 If the reset is successful, the indicator light will shine for 1 second.

4. Other instructions

1、 This key is not waterproof and can not be stirred in the washing machine.

2、 The charger used for this key is the same as that of Android smart phone. For environmental reasons, we are not equipped separately.

3、 This key can not be dismantled. If artificial dismantling, it will lose the warranty qualification.

4、 This key is a non explosion proof electronic product, containing lithium battery. In an environment where explosions or flammable objects may be produced (such as gas stations, gas stations, combustible dust environment, etc.), the user should comply with the related signs and requirements.

5、 When you remove the key for the first time from the packing box, the battery is not yet full. Please charge immediately.



Moju Industrial Park, #199, Xiqu Avenue, Hi-Tech Zone West,
Chengdu
www.hizima.com
4000-773-766

FCC Statement

This equipment has been tested and found to comply with the limits for a Class B digital device, pursuant to part 15 of the FCC rules. These limits are designed to provide reasonable protection against harmful interference in a residential installation. This equipment generates, uses and can radiate radio frequency energy and, if not installed and used in accordance with the instructions, may cause harmful interference to radio communications. However, there is no guarantee that interference will not occur in a particular installation. If this equipment does cause harmful interference to radio or television reception, which can be determined by turning the equipment off and on, the user is encouraged to try to correct the interference by one or more of the following measures:

- Reorient or relocate the receiving antenna.
- Increase the separation between the equipment and receiver.
- Connect the equipment into an outlet on a circuit different from that to which the receiver is connected.
- Consult the dealer or an experienced radio/TV technician for help.

To assure continued compliance, any changes or modifications not expressly approved by the party.

Responsible for compliance could void the user's authority to operate this equipment. (Example- use only shielded interface cables when connecting to computer or peripheral devices).

This equipment complies with Part 15 of the FCC Rules. Operation is subject to the following two conditions:

- (1) This device may not cause harmful interference, and
- (2) This device must accept any interference received, including interference that may cause undesired operation.

RF warning statement:

The device has been evaluated to meet general RF exposure requirement. The device can be used in portable exposure condition without restriction.