

Shenzhen Qianhai Patuoxun Network & Technology co.,Ltd
ADD: Wuhe RD 49#, Bantian District B-202 6th Building Shenzhen, Guangdong China
TEL: 18566621145 FAX: 0755-66607251
E-mail: Derric_bai@patazon.net

Date: 2021-3-1

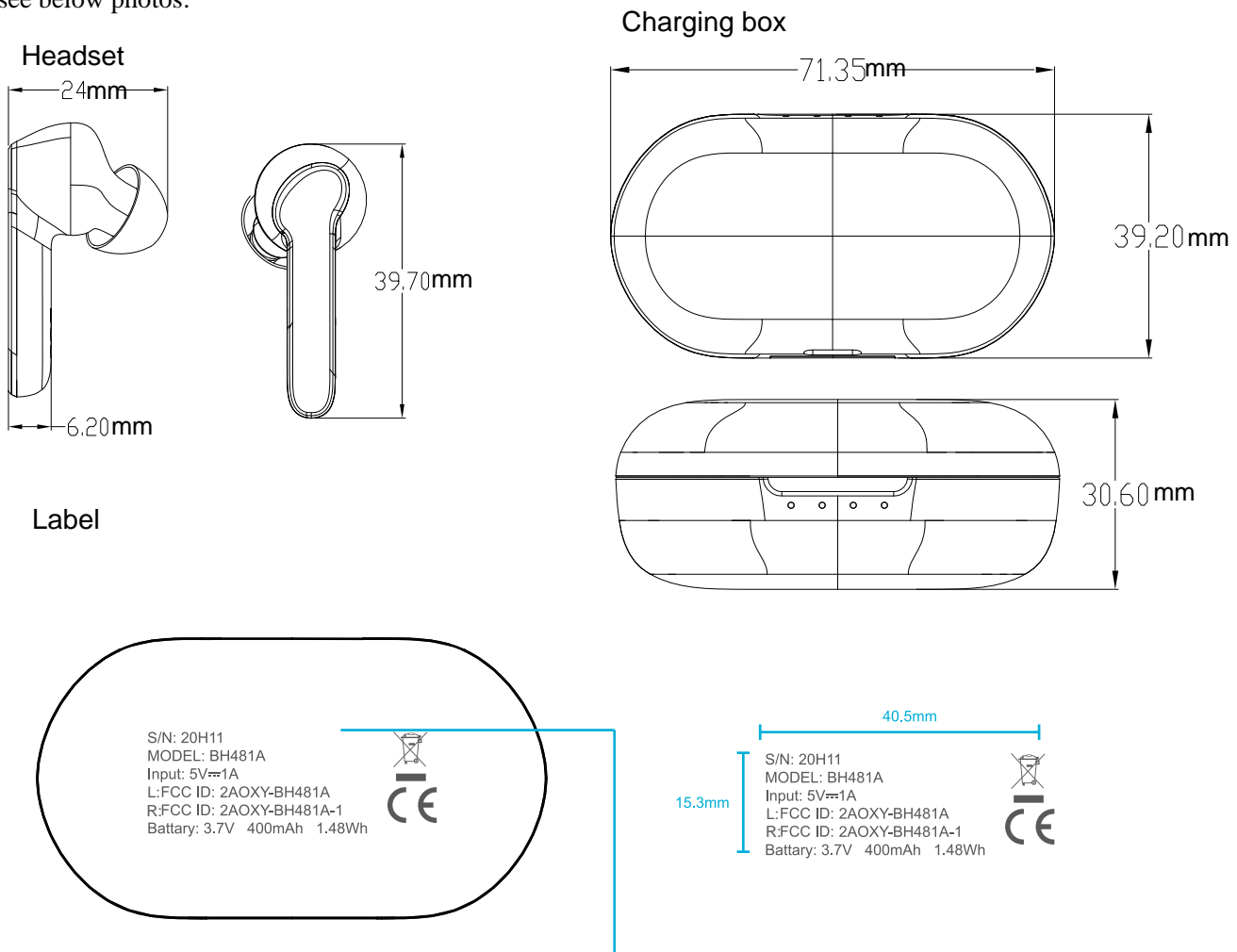
To
FEDERAL COMMUNICATIONS COMMISSION

Authorization and Evaluation Division
7435 Oakland Mills Road
Columbia,MD 21046

Dear Sir/Madam,

We,Shenzhen Qianhai Patuoxun Network & Technology co.,ltd ,FCC ID:2AOXY-BH481A,hereby submits justification for placing the FCC ID label to the charging box. According to the FCC Regulation and Guidance (KDB Publication 784748 D01 v09R01) allows for the FCC to be removed to charging box if the device is unquestionably too small for the FCC ID label to be printed.

The measurement of headset: Length (39.7mm)*Width (24mm)*High (6.2mm), label: Length 40.5(mm)*Width15.3(mm), charging box:71.35(mm)*39.2 (mm)*30.6(mm).Refer to the above quote, as the headset are too small for the FCC ID label to be printed, so the FCC ID label will be moved to the charging box. For details, please see below photos:



Sincerely,

Derric Bai

Derric Bai
Compliance Manager

QA-FR-169-B