

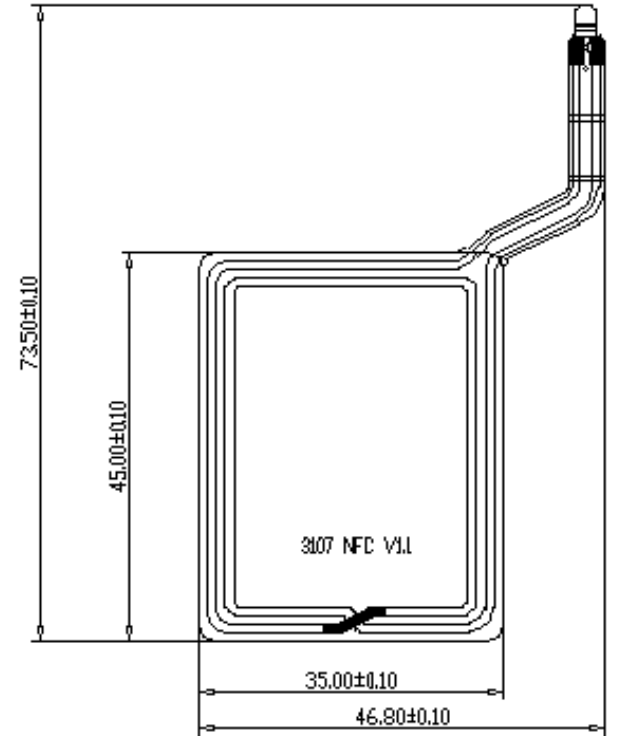


NFC Antenna Test Report

Customer	Gotron
Project	3107
Product Description	NFC ANTENNA

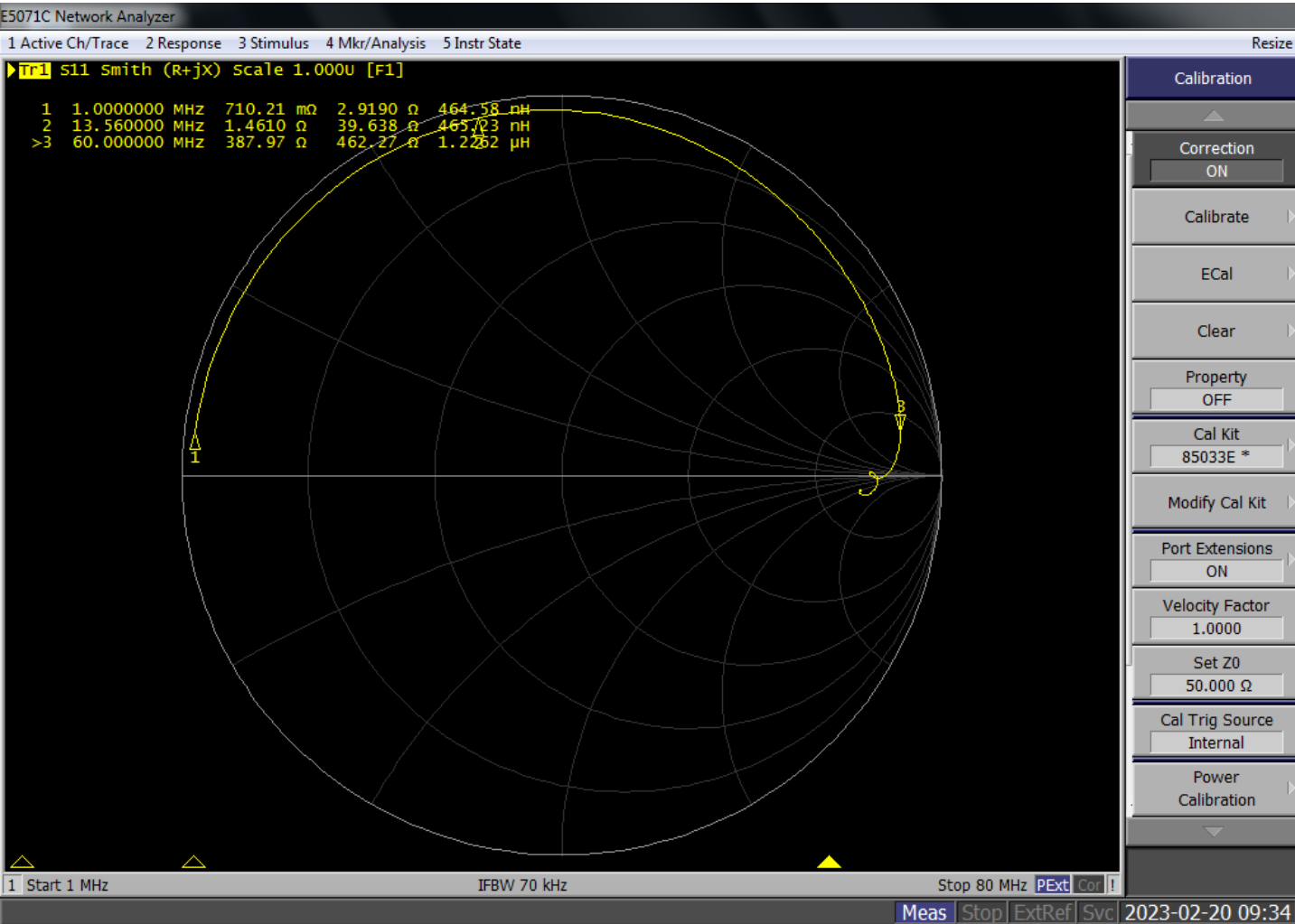
Report Date	2023-2-20	Prepared by	Lunkang Yan
Report Version	V1	Checked by	
Request Form No.		Approved by	Zhanghong Lai

1. Test Condition



2. Test Result

2-1: NFC Antenna parameter

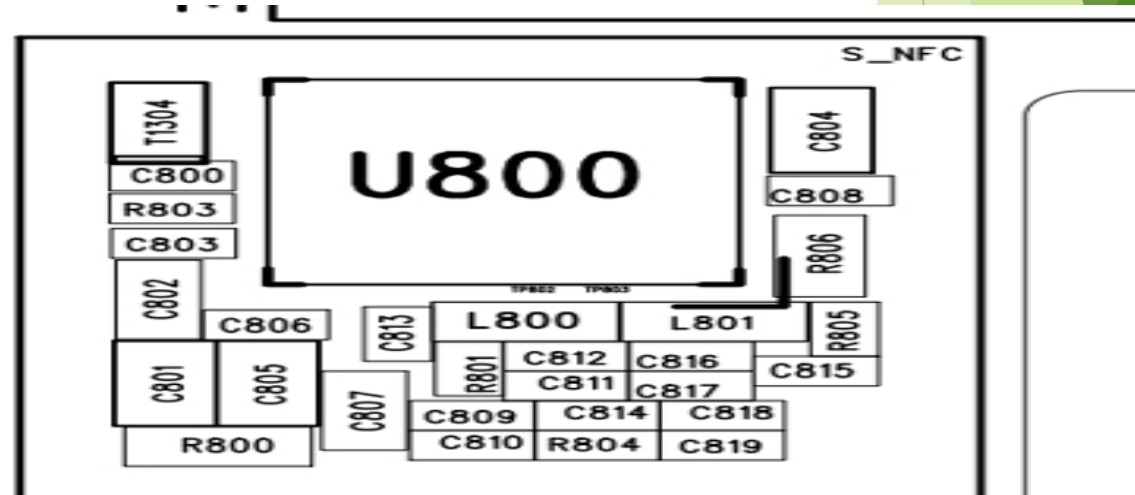
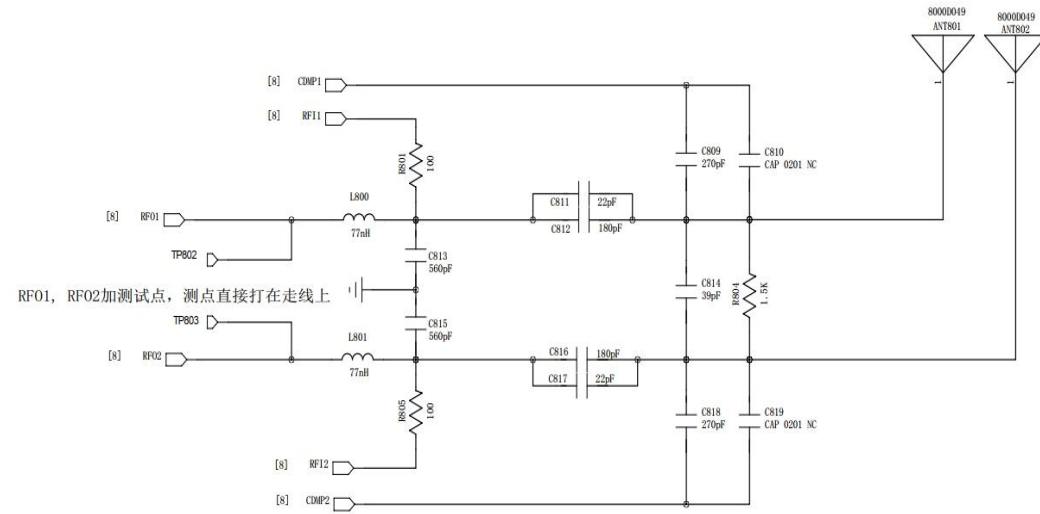


Item	Value	Units
L@13.56M	465.7	nH
R@13.56M	1.46	Ω
j@13.56	39.6	Ω

2. Test Result

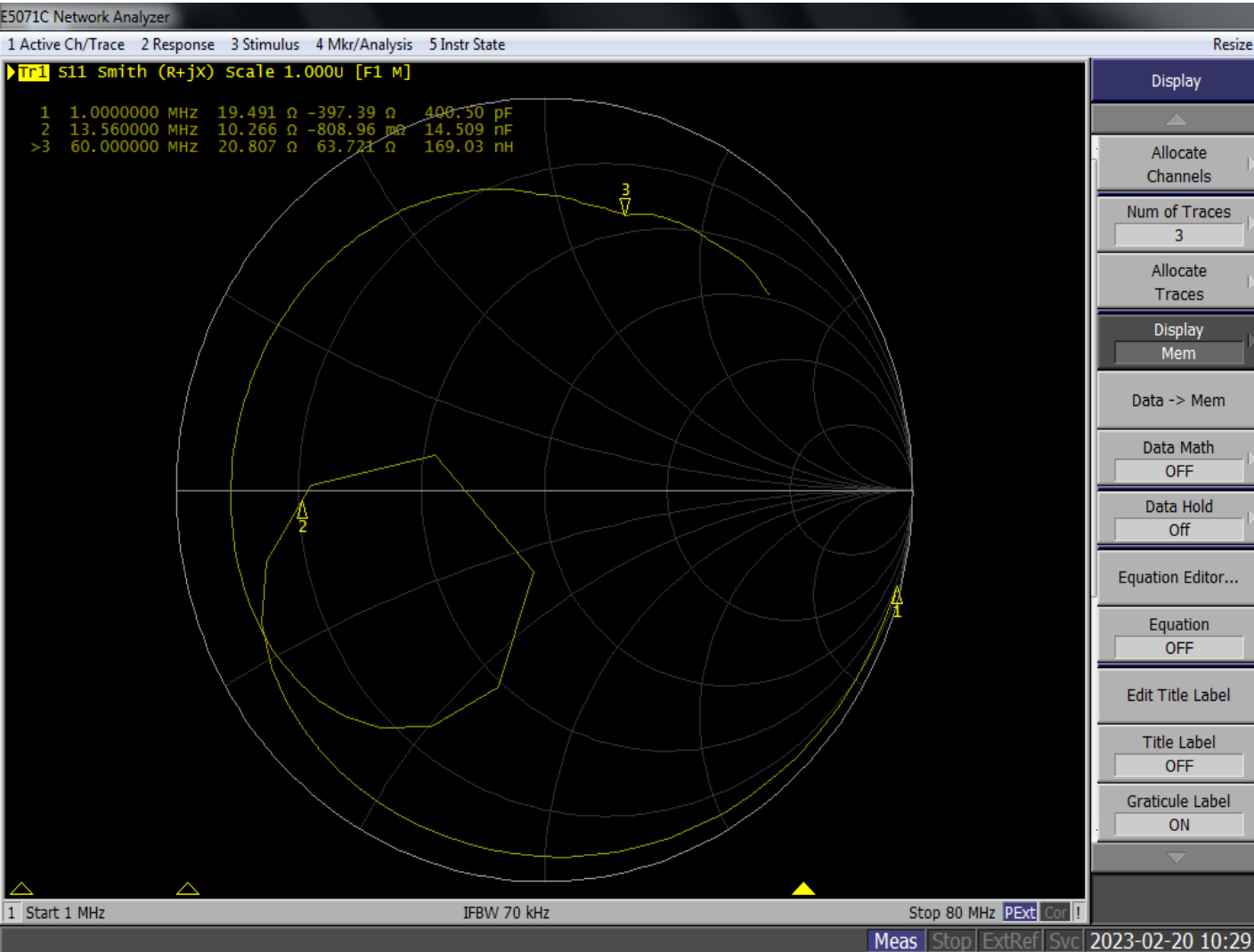
2-3: NFC Antenna Matching Network

	Location	before change	changed
Cs	C811	22PF	NC
	C812	180PF	180PF
	C816	180PF	180PF
	C817	22PF	NC
Cp	C814	39PF	68pF
RP	R804	1.5k	NC
Ccdmp	C809	270PF	270PF
	C810	NC	68PF
	C818	270PF	270PF
	C819	NC	68PF



2. Test Result

2-4: NFC ANT S-Parameter



Frequency(MHz)	Impedance (Ω)
13.56	10.8-j0.8

2.NFC Test Result

2-5: NFC Distance test 13.56MHZ

2、 This version of the antenna measured distance, NFC uses Vbat power supply

Card Type	NFC Tag Type1	NFC Tag Type2	NFC Tag Type3	NFC Tag Type4
Distance (mm)	50mm	40mm	35mm	30mm