

FCC CFR47 PART 22H, 24E, 27 CERTIFICATION TEST REPORT

FCC ID: 2AOWK-3099

Product: Mobile Phone

Trade Mark: ulefone

Model Number: GQ3099

Armor X10, Armor X10S, Armor X10E, Armor

Family Model: X10P, Armor X10A, Armor X10T, Armor X10 Pro,
Armor X10 lite, Armor X10 Plus

Report No.: STR211108003006E

Prepared for

Shenzhen Gotron Electronic CO.,LTD.

7B01, Building A, Block 1, Anhongji Tianyao Plaza, Longhua
District, Shenzhen City, Guangdong Province China

Prepared by

Shenzhen NTEK Testing Technology Co., Ltd.

1/F, Building E, Fenda Science Park, Sanwei Community, Xixiang Street
Bao'an District, Shenzhen 518126 P.R. China

Tel. 400-800-6106, 0755-2320 0050, 0755-2320 0090

Website:<http://www.ntek.org.cn>

TEST RESULT CERTIFICATION

Applicant's name	Shenzhen Gotron Electronic CO.,LTD.
Address.....	7B01, Building A, Block 1, Anhongji Tianyao Plaza, Longhua District, Shenzhen City, Guangdong Province China
Manufacturer's Name	Shenzhen Gotron Electronic CO.,LTD.
Address.....	7B01, Building A, Block 1, Anhongji Tianyao Plaza, Longhua District, Shenzhen City, Guangdong Province China
Product name.....	Mobile Phone
Model and/or type reference ..	GQ3099
Family Model:	Armor X10, Armor X10S, Armor X10E, Armor X10P, Armor X10A, Armor X10T, Armor X10 Pro, Armor X10 lite, Armor X10 Plus
Standards	FCC CFR 47 Part 22H, Part 24E, Part 27
Test procedure	ANSI C63.26:2015 ANSI/TIA-603-E-2016

This device described above has been tested by NTEK, and the test results show that the equipment under test (EUT) is in compliance with the FCC requirements. And it is applicable only to the tested sample identified in the report.

This report shall not be reproduced except in full, without the written approval of NTEK, this document may be altered or revised by NTEK, personal only, and shall be noted in the revision of the document.

Date of Test	
Date (s) of performance of tests.....	Nov 15, 2021 ~Dec 15, 2021
Date of Issue	Dec 15, 2021
Test Result.....	Pass

Testing Engineer : Cheng Jiawen
 (Cheng Jiawen)

Authorized Signatory : Alex
 (Alex Li)

TABLE OF CONTENTS

1. GENERAL INFORMATION.....	5
1.1 PRODUCT DESCRIPTION	5
1.2 RELATED SUBMITTAL(S) / GRANT (S)	6
1.3 TEST METHODOLOGY.....	6
1.4 TEST FACILITY.....	6
MEASUREMENT UNCERTAINTY	6
1.5 SPECIAL ACCESSORIES.....	7
1.6 WORST-CASE CONFIGURATION AND MODE.....	7
1.6 SUMMARY OF TEST RESULTS	7
2. SYSTEM TEST CONFIGURATION	9
2.1 EUT CONFIGURATION.....	9
2.2 EUT EXERCISE	9
2.3 CONFIGURATION OF EUT SYSTEM.....	9
2.4 TEST SETUP	10
3.TEST AND MEASUREMENT EQUIPMENT	11
4. OUTPUT POWER.....	13
4.1 OUTPUT POWER MEASUREMENT	13
6. BANDEDGE AND EMISSION MASK.....	16
7. OUT OF BAND EMISSIONS	17
7.1 MEASUREMENT METHOD	18
8. RADIATED MEASUREMENT	19
8.1. RADIATED POWER (ERP & EIRP).....	19
8.2 LTE BAND 2.....	20
8.3 LTE BAND 4.....	24
8.4 LTE BAND 5.....	28

8.5 LTE BAND 7.....	30
8.5 LTE BAND 12.....	32
8.6 LTE BAND 17.....	34
9. SPURIOUS RADIATION EMISSION	36
9.1 LTE BAND 2.....	38
9.2 LTE BAND 4.....	40
9.3 LTE BAND 5.....	42
9.4 LTE BAND 7.....	44
9.5 LTE BAND 12.....	46
9.6 LTE BAND 17.....	48
10. FREQUENCY STABILITY	50
10.1 LTE BAND 2.....	51
10.2 LTE BAND 4.....	53
10.3 LTE BAND 5.....	55
10.4 LTE BAND 7.....	57
10.5 LTE BAND 12.....	59
10.6 LTE BAND 17.....	61
11. PEAK-TO-AVERAGE RATIO.....	63
11.1 Description of the PAR Measurement.....	63
11.2 Measuring Instruments.....	63
11.3 Test Procedures.....	63
11.4 Test Setup.....	63

1. GENERAL INFORMATION

1.1 PRODUCT DESCRIPTION

A major technical description of EUT is described as following:

Product Designation:	Mobile Phone
Trade Mark	ulefone
Model Name	GQ3099
Family Model	Armor X10, Armor X10S, Armor X10E, Armor X10P, Armor X10A, Armor X10T, Armor X10 Pro, Armor X10 lite, Armor X10 Plus
Model Difference	All the model are the same circuit and RF module, except the exterior color and model name difference.
FCC ID:	2AOWK-3099
Frequency Bands:	U.S. Bands: <input checked="" type="checkbox"/> LTE FDD Band 2, 4, 5, 7, 12, 17
Frequency Range:	LTE FDD Band 2 Uplink: 1850MHz-1910MHz, Downlink: 1930MHz-1990MHz; LTE FDD Band 4 Uplink: 1710MHz-1755MHz, Downlink: 2110MHz-2155MHz; LTE FDD Band 5 Uplink: 824MHz-849MHz, Downlink: 869MHz-894MHz; LTE-FDD Band 7 Uplink: 2500MHz-2570MHz, Downlink: 2620MHz-2690MHz; LTE FDD Band 12 Uplink: 699MHz-716MHz, Downlink: 729MHz-746MHz; LTE FDD Band 17 Uplink: 704MHz-716MHz, Downlink: 734MHz-746MHz;
Type of Modulation:	QPSK/16QAM
Power Class	Class 3
Antenna:	PIFA Antenna
Antenna gain:	Band 2:1.5dBi, Band 4: 1.4dBi, Band 5: 0.2dBi, Band 7: 1.5dBi, Band 12: 0.1dBi, Band 17: 0.1dBi
Adapter	Model: HJ-0502000W2-US Input: AC 100-240V~50/60Hz 0.3A Output: DC 5V---2000mA
Battery	DC 3.85V, 5180mAh, 19.94Wh
Power supply	DC 3.85V from battery or DC 5V from Adapter.
Extreme Vol. Limits:	DC 3.4V to DC 4.2V (Nominal DC 3.85V) (Note 1)
HW Version	E5T_01
SW Version	Armor_X10_SH2_EEA_V01

** Note1: The High Voltage 4.2V and Low Voltage 3.4V was declared by manufacturer, The EUT couldn't be operate normally with higher or lower voltage.

1.2 RELATED SUBMITTAL(S) / GRANT (S)

This submittal(s) (test report) is intended for **FCC ID: 2AOWK-3099** filing to comply with the FCC Part 22H&24E &27.

1.3 TEST METHODOLOGY

The tests documented in this report were performed in accordance with ANSI/TIA-603-E-2016, FCC CFR 47 Part 2, Part 22, Part 24, Part 27, ANSI C63.26:2015.

1.4 TEST FACILITY

The test site used to collect the radiated data is located at:

ShenZhen NTEK Testing Technology Co., Ltd.

1/F, Building E, Fenda Science Park, Sanwei Community, Xixiang Street, Bao'an District, Shenzhen 518126 P.R.China.

The test site is constructed and calibrated to meet the FCC requirements in documents ANSI C63.26:2015& ANSI C63.4: 2014.

FCC Registration No.:463705

IC Registration No.:9270A-1,

CNAS Registration No.:L5516

MEASUREMENT UNCERTAINTY

The reported uncertainty of measurement, where expended uncertainty U is based on a standard uncertainty multiplied by a coverage factor of k=2, providing a level of confidence of approximately 95 %.

No.	Item	Uncertainty
1	Measuring Uncertainty for a Level of Confidence of 95% (U = 2Uc(y))	2.5dB
2	Conducted Emission Test	±1.38dB
3	RF power, conducted	±0.16dB
4	Spurious emissions, conducted	±0.21dB
5	All emissions, radiated(<1G)	±4.68dB
6	All emissions, radiated(>1G)	±4.89dB
7	Temperature	±0.5°C
8	Humidity	±2%
9	Frequency error, conducted	±0.19 ppm

1.5 SPECIAL ACCESSORIES

The battery and the charger, earphone supplied by the applicant were used as accessories and being tested with EUT intended for FCC grant together.

1.6 WORST-CASE CONFIGURATION AND MODE

The worst-case scenario for all measurements is based on the investigation results.

The device has LTE Bands of: Band 2, Band 4, Band 5, Band 7, Band 12, Band 17

The RB Size was selected to measure for peak or average ERP and EIRP, which was based on the conducted power verification baseline data.

For the fundamental investigation of radiated emissions, the EUT is investigated for vertical and horizontal antenna orientations and X Y and Z orientations of the EUT alone. After the investigations the worst case was determined to be at X orientation for all LTE bands.

1.6 SUMMARY OF TEST RESULTS

FCC Part22, Subpart H/ FCC Part24, Subpart E, FCC Part27, Subpart L, KDB 971168 D01 Power Meas License Digital Systems v03			
FCC Rule	Test Item	Verdict	Remark
2.1046	Conducted Output Power	PASS	
22.913(d) 24.232(d) 27.50(d)(5) KDB 971168 D01 Clause 5.7	Peak-to-Average Ratio	PASS	
2.1049 22.917(b) 24.238(b) KDB 971168 D01 Clause 4.2	Occupied Bandwidth	PASS	
2.1051 22.917(a) 24.238(a) 27.53(m), (g), (h) KDB 971168 D01 Clause 6	Band Edge	PASS	
22.913(a)(2) 27.50(c)(10) KDB 971168 D01 Clause 5.6	Effective Radiated Power	PASS	

24.232(c) 27.50(h)(2), (d)(4) KDB 971168 D01 Clause 5.6	Equivalent Isotropic Radiated Power	PASS	
2.1053 22.917(a) 24.238(a) 27.53(g)(h)(m) KDB 971168 D01 Clause 7	Field Strength of Spurious Radiation	PASS	
2.1055 22.355 24.235 27.54 KDB 971168 D01 Clause 9	Frequency Stability for Temperature & Voltage	PASS	
2.1051 22.917(a) 24.238(a) 27.53(g)(h)(m) KDB 971168 D01 Clause 6	Conducted Emission	PASS	
Remark: 1. "N/A" denotes test is not applicable in this Test Report. 2. All test items were verified and recorded according to the standards and without any deviation during the test. 3. No modifications are made to the EUT during all test items.			

2. SYSTEM TEST CONFIGURATION

2.1 EUT CONFIGURATION

The EUT configuration for testing is installed on RF field strength measurement to meet the Commission's requirement and operating in a manner which intends to maximize its emission characteristics in a continuous normal application.

2.2 EUT EXERCISE

The Transmitter was operated in the maximum output power mode through Communication Tester. The TX frequency was fixed which was for the purpose of the measurements.

2.3 CONFIGURATION OF EUT SYSTEM

Table 2-1 Equipment Used in EUT System

Item	Equipment	Model No.	ID or Specification	Note
1	Mobile Phone	GQ3099	FCC ID: 2AOWK-3099	EUT

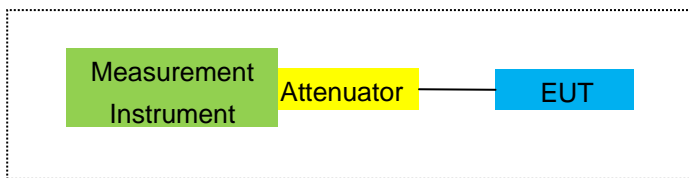
*Note: All the accessories have been used during the test.
the following "EUT" in setup diagram means EUT system.*

2.4 TEST SETUP

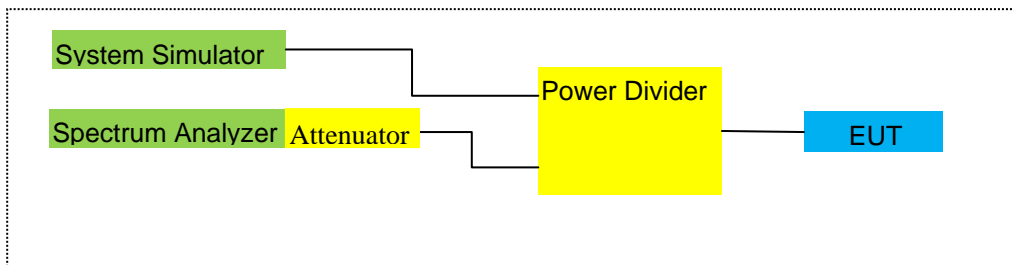
For Radiated Test Cases



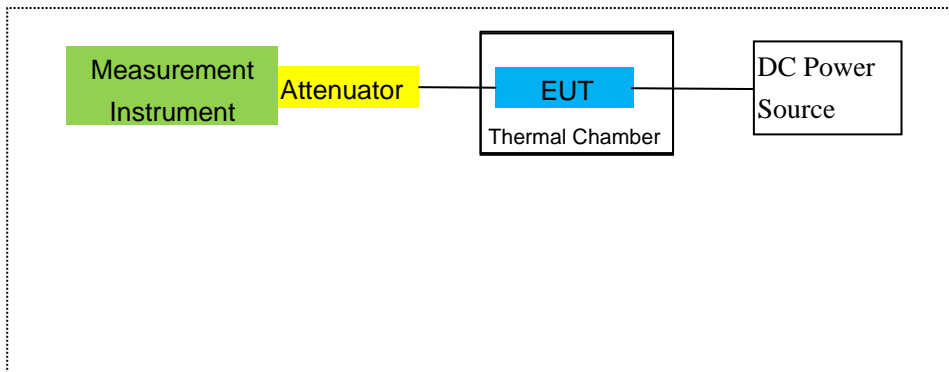
For Conducted Output Power



For Peak-to Average Ratio, Occupied Bandwidth, Conducted Band edge and Conducted Spurious Emission



For Frequency Stability



Note: EUT built-in battery-powered, the battery is fully-charged.

3. TEST AND MEASUREMENT EQUIPMENT

The following test and measurement equipment was utilized for the tests documented in this report:

Item	Kind of Equipment	Manufacturer	Type No.	Serial No.	Last calibration	Calibrated until	Calibration period
1	MXA Signal Analyzer	Agilent	N9020A	MY49100060	2021.07.01	2022.06.30	1 year
2	Test Receiver	R&S	ESPI	101318	2021.04.27	2022.04.26	1 year
3	Bilog Antenna	TESEQ	CBL6111D	31216	2021.03.29	2022.03.28	1 year
4	50Ω Coaxial Switch	Anritsu	MP59B	6200983705	2020.05.11	2023.05.10	3 year
5	Horn Antenna	EM	EM-AH-10180	2011071402	2021.03.29	2022.03.28	1 year
6	Horn Ant	Schwarzbeck	BBHA 9170	9170-181	2021.11.07	2022.11.06	1 year
7	Amplifier	EM	EM-30180	060538	2021.07.01	2022.06.30	1 year
8	Loop Antenna	ARA	PLA-1030/B	1029	2021.04.27	2022.04.26	1 year
9	Power Meter	R&S	NRVS	100696	2021.07.01	2022.06.30	1 year
10	Power Sensor	R&S	URV5-Z4	0395.1619.05	2021.04.27	2022.04.26	1 year
11	Test Cable	N/A	R-01	N/A	2019.08.06	2022.08.05	3 year
12	Test Cable	N/A	R-02	N/A	2019.08.06	2022.08.05	3 year
13	Test Cable	N/A	R-03	N/A	2019.06.28	2022.06.27	3 year
14	Test Receiver	R&S	ESCI	101160	2021.04.27	2022.04.26	1 year
15	LISN	R&S	ENV216	101313	2021.04.27	2022.04.26	1 year
16	LISN	EMCO	3816/2	00042990	2021.04.27	2022.04.26	1 year
17	50Ω Coaxial Switch	Anritsu	MP59B	6200264417	2021.04.27	2022.04.26	1 year
18	Passive Voltage Probe	R&S	ESH2-Z3	100196	2021.04.27	2022.04.26	1 year
19	Test Cable	N/A	C01	N/A	2020.05.11	2023.05.10	3 year
20	Test Cable	N/A	C02	N/A	2020.05.11	2023.05.10	3 year
21	Test Cable	N/A	C03	N/A	2020.05.11	2023.05.10	3 year
22	Attenuator	MCE	24-10-34	BN9258	2020.04.07	2023.04.06	1 year
23	Spectrum Analyzer	agilent	e4440a	us44300399	2021.04.27	2022.04.26	1 year
24	test receiver	R&S	ESCI	a0304218	2021.04.27	2022.04.26	1 year
25	Communication Tester	R&S	CMU200	A0304247	2021.07.01	2022.06.30	1 year
26	Thermal Chamber	Ten Billion	TTC-B3C	TBN-960502	2021.04.27	2022.04.26	1 year

27	DC Power Source	N/A	PS-6005D	2017040292 3	2020.05.11	2023.05.10	3 year
28	PSG Analog Signal Generator	Agilent	E8257D	MY51110112	2021.07.01	2022.06.30	1 year
29	Communication Tester	R&S	CMW500	148500	2021.07.01	2022.06.30	1 year
30	PSG Analog Signal Generator	Agilent	E8257D	MY51110112	2021.07.01	2022.06.30	1 year

Note: Each piece of equipment is scheduled for calibration once a year except the Test Cable& DC Power Source which is scheduled for calibration every 3 years.

4. OUTPUT POWER

4.1 OUTPUT POWER MEASUREMENT

LTE Measurement Procedure:

All LTE bands conducted power peak and average are obtained from the CMW500 telecommunication test set. The following tests were conducted according to the test requirements outlined in section 6.2 of the 3GPP TS36.101 specification.

UE Power Class: 3 (23 +/- 2dBm). The allowed Maximum Power Reduction (MPR) for the maximum output power due to higher order modulation and transmit bandwidth configuration (resource blocks) is specified in Table 6.2.3-1 of the 3GPP TS36.101.

Table 6.2.3-1: Maximum Power Reduction (MPR) for Power Class 3

Modulation	Channel bandwidth / Transmission bandwidth (RB)						MPR (dB)
	1.4 MHz	3.0 MHz	5 MHz	10 MHz	15 MHz	20 MHz	
QPSK	> 5	> 4	> 8	> 12	> 16	> 18	≤ 1
16 QAM	≤ 5	≤ 4	≤ 8	≤ 12	≤ 16	≤ 18	≤ 1
16 QAM	> 5	> 4	> 8	> 12	> 16	> 18	≤ 2

The allowed A-MPR values specified below in Table 6.2.4.-1 of 3GPP TS36.101 are in addition to the allowed MPR requirements. All the measurements below were performed with A-MPR disabled, by using Network Signaling Value of "NS_01".3

Table 6.2.4-1: Additional Maximum Power Reduction (A-MPR)

Network Signalling value	Requirements (sub-clause)	E-UTRA Band	Channel bandwidth (MHz)	Resources Blocks (N_{RB})	A-MPR (dB)
NS_01	6.6.2.1.1	Table 5.5-1	1.4, 3, 5, 10, 15, 20	Table 5.6-1	NA
NS_03	6.6.2.2.1	2, 4, 10, 23, 25, 35, 36	3	>5	≤ 1
			5	>6	≤ 1
			10	>6	≤ 1
			15	>8	≤ 1
			20	>10	≤ 1
NS_04	6.6.2.2.2	41	5	>6	≤ 1
			10, 15, 20	See Table 6.2.4-4	
NS_05	6.6.3.3.1	1	10, 15, 20	≥ 50	≤ 1
NS_06	6.6.2.2.3	12, 13, 14, 17	1.4, 3, 5, 10	Table 5.6-1	n/a
NS_07	6.6.2.2.3	13	10	Table 6.2.4-2	Table 6.2.4-2
	6.6.3.3.2				
NS_08	6.6.3.3.3	19	10, 15	> 44	≤ 3
NS_09	6.6.3.3.4	21	10, 15	> 40	≤ 1
				> 55	≤ 2
NS_10		20	15, 20	Table 6.2.4-3	Table 6.2.4-3
NS_11	6.6.2.2.1	23 ¹	1.4, 3, 5, 10	Table 6.2.4-5	Table 6.2.4-5
..					
NS_32	-	-	-	-	-

Note 1: Applies to the lower block of Band 23, i.e. a carrier placed in the 2000-2010 MHz region.

Test data reference attachment.

5. OCCUPIED BANDWIDTH

RULE PART(S)

FCC: §2.1049

LIMITS

For reporting purposes only

TEST PROCEDURE

The transmitter output was connected to a calibrated coaxial cable and coupler, the other end of which was connected to a spectrum analyzer. The occupied bandwidth was measured with the spectrum analyzer at the low, middle and high channel in each band. The -26dB bandwidth was also measured and recorded.

MODES TESTED

- LTE Band2
- LTE Band 4
- LTE Band 5
- LTE Band 7
- LTE Band 12
- LTE Band 17

RESULTS

PASS

Test data reference attachment.

6. BANDEDGE AND EMISSION MASK

RULE PART(S)

FCC: §2.1051, §22.917(a), §24.238(a), §27.53(c)(g)(h)(m)

FCC: §2.1046, §22.913, §24.232

LIMITS

The minimum permissible attenuation level of any spurious emission is $43 + \log_{10}(P[\text{Watts}])$, where P is the transmitter power in Watts.

The minimum permissible attenuation level for Band 7 is as following.

Per 27.53(g) for operations in the 698-746 MHz band, in the 100 kHz bands immediately outside and adjacent to the frequency block a resolution bandwidth of at least 30 kHz may be employed to demonstrate compliance with the out-of-band emissions limit.

Per 27.53(c.5) for operations in the 776-788 MHz band, in the 100 kHz bands immediately outside and adjacent to the frequency block a resolution bandwidth of at least 30 kHz may be employed to demonstrate compliance with the out-of-band emissions limit.

For all plots showing emissions in the 763 – 775MHz and 793 – 805MHz band, the FCC limit per 27.53(c.4) is $65 + 10\log_{10}(P) = -35\text{dBm}$ in a 6.25kHz bandwidth.

Per 27.53(m) for operations in the BRS/EBS bands, the attenuation factor shall be not less than $40 + 10 \log (P)$ dB on all frequencies between the channel edge and 5 megahertz from the channel edge, $43 + 10 \log (P)$ dB on all frequencies between 5 megahertz and X megahertz from the channel edge, and $55 + 10 \log (P)$ dB on all frequencies more than X megahertz from the channel edge, where X is the greater of 6 megahertz or the actual emission bandwidth.

TEST PROCEDURE

The transmitter output was connected to a CMW500 Test Set and configured to operate at maximum power. The band edge emissions were measured at the required operating frequencies in each band on the Spectrum Analyzer.

For each band edge measurement:

Set the spectrum analyzer span to include the block edge frequency

Set a marker to point the corresponding band edge frequency in each test case.

Set display line

Set resolution bandwidth to at least 1% of emission bandwidth.

MODES TESTED

- LTE Band 2/4/5/7/12/17

RESULTS

Test data reference attachment.

7. OUT OF BAND EMISSIONS

RULE PART(S)

FCC: §2.1051, §22.917(a), §24.238(a), §27.53(c)(g)(h)(m)

LIMITS

The minimum permissible attenuation level of any spurious emission is $43 + \log_{10}(P[\text{Watts}])$, where P is the transmitter power in Watts.

The minimum permissible attenuation level for Band 7 is as following.

Per 27.53(g) for operations in the 698-746 MHz band, in the 100 kHz bands immediately outside and adjacent to the frequency block a resolution bandwidth of at least 30 kHz may be employed to demonstrate compliance with the out-of-band emissions limit.

Per 27.53(c.5) for operations in the 776-788 MHz band, in the 100 kHz bands immediately outside and adjacent to the frequency block a resolution bandwidth of at least 30 kHz may be employed to demonstrate compliance with the out-of-band emissions limit.

For all plots showing emissions in the 763 – 775MHz and 793 – 805MHz band, the FCC limit per 27.53(c.4) is $65 + 10\log_{10}(P) = -35\text{dBm}$ in a 6.25kHz bandwidth.

Per 27.53(m) for operations in the BRS/EBS bands, the attenuation factor shall be not less than $40 + 10 \log (P)$ dB on all frequencies between the channel edge and 5 megahertz from the channel edge, $43 + 10 \log (P)$ dB on all frequencies between 5 megahertz and X megahertz from the channel edge, and $55 + 10 \log (P)$ dB on all frequencies more than X megahertz from the channel edge, where X is the greater of 6 megahertz or the actual emission bandwidth.

TEST PROCEDURE

The RF output of the transmitter was connected to a spectrum analyzer through a calibrated coaxial cable. Sufficient scans were taken to show the out-of-band Emissions, if any, up to 10th harmonic. Multiple sweeps were recorded in maximum hold mode using a peak detector to ensure that the worst-case emissions were caught.

For each out of band emissions measurement:

- Set display line
- Set RBW & VBW to 100 kHz for the measurement below 1 GHz, and 1 MHz for the measurement above 1 GHz.

MODES TESTED

- LTE Band2
- LTE Band 4
- LTE Band 5
- LTE Band 7
- LTE Band 12
- LTE Band 17

7.1 MEASUREMENT METHOD

The test set up and general procedure is similar to conducted peak output power test. Only different for setting the measurement configuration of the measuring instrument of Spectrum Analyzer.

Test data reference attachment.

Note: the amplitude of spurious emission that is attenuated by more than 20dB below the permissible limit has no need to be reported (LTE Band 2/4/7: above 10GHz).

8. RADIATED MEASUREMENT

8.1. RADIATED POWER (ERP & EIRP)

RULE PART(S)

FCC: §2.1046, §22.913(a)(2), §24.232(c) and §27.50 (h)(2), (b)(10), (c)(10), (d)(4)

LIMITS:

22.913(a) (2)- The ERP of mobile transmitters and auxiliary test transmitters must not exceed 7 Watts.
24.232 (c) Mobile and portable stations are limited to 2 watts EIRP.
27.50 (c) (10) the following power and antenna height requirements apply to stations transmitting in the 698–746 MHz band, the portable stations (hand-held devices) are limited to 3 watts ERP.
27.50 (b)(10) Portable stations (hand-held devices) transmitting in the 746–757 MHz, 758–763 MHz, 776–793 MHz, and 805–806 MHz bands are limited to 3 watts ERP.
27.50 (d)(4) The following power and antenna height requirements apply to stations transmitting in the 1710–1755 MHz and 2110–2155 MHz bands: Fixed, mobile, and portable (hand-held) stations operating in the 1710–1755 MHz band are limited to 1 watt EIRP.
27.50 (h)(2) Mobile and other user stations in the 2500–2570 MHz and 2620–2690 MHz bands. Mobile stations are limited to 2.0 watts EIRP. All user stations are limited to 2.0 watts transmitter output power.

TEST PROCEDURE

ANSI/TIA-603-E Clause 2.2.17

KDB 971168 v02r01 RF power output using broadband peak and average power meter method.

KDB 971168 D01 Power Meas License Digital Systems v02r01, “Measurement Guidance for Certification of Licensed Digital Transmitters”

MODES TESTED

- LTE Band2
- LTE Band 4
- LTE Band 5
- LTE Band 7
- LTE Band 12
- LTE Band 17

RESULTS

Pass

8.2 LTE BAND 2

Radiated Power (EIRP) for Band 2									
Mode	RB Size/RB Position	Frequency	Result					Polarization	Conclusion
			SG Level (dBm)	Cable Loss (dB)	Antenna Gain (dBi)	Max. EIRP Average (dBm)	Max. EIRP		
							Average (mW)		
1.4MHz Band QPSK	1/#Mid	1850.7	14.60	3.76	8.90	19.74	94.189	Horizontal	Pass
		1880	15.75	3.91	8.90	20.74	118.577	Horizontal	Pass
		1909.3	15.45	3.93	8.90	20.42	110.154	Horizontal	Pass
3.0MHz Band QPSK	1/#Mid	1851.5	15.29	3.77	8.90	20.42	110.154	Horizontal	Pass
		1880	14.95	3.91	8.90	19.94	98.628	Horizontal	Pass
		1908.5	14.55	3.94	8.90	19.51	89.331	Horizontal	Pass
5.0MHz Band QPSK	1/#Mid	1852.5	15.14	3.77	8.90	20.27	106.414	Horizontal	Pass
		1880	15.50	3.91	8.90	20.49	111.944	Horizontal	Pass
		1907.5	14.00	3.94	8.90	18.96	78.705	Horizontal	Pass
10.0MHz Band QPSK	1/#Mid	1855	15.35	3.79	8.90	20.46	111.173	Horizontal	Pass
		1880	14.05	3.95	8.90	19.00	79.433	Horizontal	Pass
		1905	15.36	3.97	8.90	20.29	106.905	Horizontal	Pass
15.0MHz Band QPSK	1/#Mid	1857.5	13.68	3.79	8.90	18.79	75.683	Horizontal	Pass
		1880	15.77	3.95	8.90	20.72	118.032	Horizontal	Pass
		1902.5	15.65	3.97	8.90	20.58	114.288	Horizontal	Pass
20.0MHz Band QPSK	1/#Mid	1860	13.84	3.81	8.90	18.93	78.163	Horizontal	Pass
		1880	16.17	3.96	8.90	21.11	129.122	Horizontal	Pass
		1900	14.55	4.00	8.90	19.45	88.105	Horizontal	Pass
1.4MHz Band QPSK	1/#Mid	1850.7	14.61	3.76	8.90	19.75	94.406	Vertical	Pass
		1880	15.84	3.91	8.90	20.83	121.060	Vertical	Pass
		1909.3	15.13	3.93	8.90	20.10	102.329	Vertical	Pass
3.0MHz Band QPSK	1/#Mid	1851.5	13.77	3.77	8.90	18.90	77.625	Vertical	Pass
		1880	14.83	3.91	8.90	19.82	95.940	Vertical	Pass
		1908.5	14.56	3.94	8.90	19.52	89.536	Vertical	Pass
5.0MHz Band QPSK	1/#Mid	1852.5	13.76	3.77	8.90	18.89	77.446	Vertical	Pass
		1880	15.05	3.91	8.90	20.04	100.925	Vertical	Pass
		1907.5	15.69	3.94	8.90	20.65	116.145	Vertical	Pass
10.0MHz Band QPSK	1/#Mid	1855	13.98	3.79	8.90	19.09	81.096	Vertical	Pass
		1880	15.57	3.95	8.90	20.52	112.720	Vertical	Pass

QPSK		1905	15.12	3.97	8.90	20.05	101.158	Vertical	Pass
15.0MH z Band QPSK	1/#Mid	1857.5	13.85	3.79	8.90	18.96	78.705	Vertical	Pass
		1880	14.87	3.95	8.90	19.82	95.940	Vertical	Pass
		1902.5	13.66	3.97	8.90	18.59	72.277	Vertical	Pass
20.0MH z Band QPSK	1/#Mid	1860	14.29	3.81	8.90	19.38	86.696	Vertical	Pass
		1880	14.90	3.96	8.90	19.84	96.383	Vertical	Pass
		1900	13.78	4.00	8.90	18.68	73.790	Vertical	Pass

Note:

SG Level= Signal generator output

Max. EIRP Average (dBm)= Antenna Gain(dB)+ SG Level (dBm)- Cable Loss(dBm)

Radiated Power (EIRP) for Band 2									
Mode	RB Size/RB Position	Frequency	Result					Polarization	Conclusion
			SG Level (dBm)	Cable Loss (dB)	Antenna Gain (dBi)	Max. EIRP Average (dBm)	Max. EIRP		
							Average (mW)		
1.4MHz Band 16 QAM	1/#Mid	1850.7	13.50	3.76	8.90	18.64	73.114	Horizontal	Pass
		1880	14.65	3.91	8.90	19.64	92.045	Horizontal	Pass
		1909.3	13.60	3.93	8.90	18.57	71.945	Horizontal	Pass
3.0MHz Band 16 QAM	1/#Mid	1851.5	14.08	3.77	8.90	19.21	83.368	Horizontal	Pass
		1880	13.58	3.91	8.90	18.57	71.945	Horizontal	Pass
		1908.5	13.96	3.94	8.90	18.92	77.983	Horizontal	Pass
5.0MHz Band 16 QAM	1/#Mid	1852.5	14.61	3.77	8.90	19.74	94.189	Horizontal	Pass
		1880	15.28	3.91	8.90	20.27	106.414	Horizontal	Pass
		1907.5	14.80	3.94	8.90	19.76	94.624	Horizontal	Pass
10.0MHz Band 16 QAM	1/#Mid	1855	13.97	3.79	8.90	19.08	80.910	Horizontal	Pass
		1880	13.64	3.95	8.90	18.59	72.277	Horizontal	Pass
		1905	15.32	3.97	8.90	20.25	105.925	Horizontal	Pass
15.0MHz Band 16 QAM	1/#Mid	1857.5	14.65	3.79	8.90	19.76	94.624	Horizontal	Pass
		1880	14.49	3.95	8.90	19.44	87.902	Horizontal	Pass
		1902.5	13.80	3.97	8.90	18.73	74.645	Horizontal	Pass
20.0MHz Band 16 QAM	1/#Mid	1860	13.50	3.81	8.90	18.59	72.277	Horizontal	Pass
		1880	15.48	3.96	8.90	20.42	110.154	Horizontal	Pass
		1900	14.17	4.00	8.90	19.07	80.724	Horizontal	Pass
1.4MHz Band 16 QAM	1/#Mid	1850.7	14.13	3.76	8.90	19.27	84.528	Vertical	Pass
		1880	13.61	3.91	8.90	18.60	72.444	Vertical	Pass
		1909.3	12.84	3.93	8.90	17.81	60.395	Vertical	Pass
3.0MHz Band 16 QAM	1/#Mid	1851.5	14.26	3.77	8.90	19.39	86.896	Vertical	Pass
		1880	13.00	3.91	8.90	17.99	62.951	Vertical	Pass
		1908.5	14.47	3.94	8.90	19.43	87.700	Vertical	Pass
5.0MHz Band 16 QAM	1/#Mid	1852.5	14.36	3.77	8.90	19.49	88.920	Vertical	Pass
		1880	15.18	3.91	8.90	20.17	103.992	Vertical	Pass
		1907.5	13.22	3.94	8.90	18.18	65.766	Vertical	Pass
10.0MHz Band 16 QAM	1/#Mid	1855	13.99	3.79	8.90	19.10	81.283	Vertical	Pass
		1880	13.37	3.95	8.90	18.32	67.920	Vertical	Pass
		1905	14.37	3.97	8.90	19.30	85.114	Vertical	Pass
15.0MHz Band 16 QAM	1/#Mid	1857.5	15.04	3.79	8.90	20.15	103.514	Vertical	Pass
		1880	14.47	3.95	8.90	19.42	87.498	Vertical	Pass
		1902.5	14.72	3.97	8.90	19.65	92.257	Vertical	Pass

20.0MHz		1860	14.69	3.81	8.90	19.78	95.060	Vertical	Pass
Band 16	1/#Mid	1880	14.75	3.96	8.90	19.69	93.111	Vertical	Pass
QAM		1900	13.50	4.00	8.90	18.40	69.183	Vertical	Pass

Note:

SG Level= Signal generator output

Max. EIRP Average (dBm)= Antenna Gain(dB)+ SG Level (dBm)- Cable Loss(dBm)

8.3 LTE BAND 4

Radiated Power (EIRP) for Band 4									
Mode	RB Size/RB Position	Frequency	Result					Polarization	Conclusion
			SG Level (dBm)	Cable Loss (dB)	Antenna Gain (dBi)	Max. EIRP Average (dBm)	Max. EIRP		
							Average (mW)		
1.4MHz Band QPSK	1/#Mid	1710.7	13.99	3.12	8.90	19.77	94.842	Horizontal	Pass
		1732.5	13.82	3.27	8.90	19.45	88.105	Horizontal	Pass
		1754.3	13.98	3.29	8.90	19.59	90.991	Horizontal	Pass
3.0MHz Band QPSK	1/#Mid	1711.5	13.99	3.13	8.90	19.76	94.624	Horizontal	Pass
		1732.5	13.10	3.27	8.90	18.73	74.645	Horizontal	Pass
		1753.5	14.43	3.30	8.90	20.03	100.693	Horizontal	Pass
5.0MHz Band QPSK	1/#Mid	1712.5	13.46	3.13	8.90	19.23	83.753	Horizontal	Pass
		1732.5	14.39	3.27	8.90	20.02	100.462	Horizontal	Pass
		1752.5	13.10	3.30	8.90	18.70	74.131	Horizontal	Pass
10.0MHz Band QPSK	1/#Mid	1715	13.46	3.15	8.90	19.21	83.368	Horizontal	Pass
		1732.5	13.99	3.31	8.90	19.58	90.782	Horizontal	Pass
		1750	14.35	3.33	8.90	19.92	98.175	Horizontal	Pass
15.0MHz Band QPSK	1/#Mid	1717.5	13.89	3.15	8.90	19.64	92.045	Horizontal	Pass
		1732.5	13.77	3.31	8.90	19.36	86.298	Horizontal	Pass
		1747.5	14.71	3.33	8.90	20.28	106.660	Horizontal	Pass
20.0MHz Band QPSK	1/#Mid	1720	13.03	3.17	8.90	18.76	75.162	Horizontal	Pass
		1732.5	13.28	3.32	8.90	18.86	76.913	Horizontal	Pass
		1745	14.01	3.36	8.90	19.55	90.157	Horizontal	Pass
1.4MHz Band QPSK	1/#Mid	1710.7	14.23	3.12	8.90	20.01	100.231	Vertical	Pass
		1732.5	14.13	3.27	8.90	19.76	94.624	Vertical	Pass
		1754.3	14.44	3.29	8.90	20.05	101.158	Vertical	Pass
3.0MHz Band QPSK	1/#Mid	1711.5	13.33	3.13	8.90	19.10	81.283	Vertical	Pass
		1732.5	14.14	3.27	8.90	19.77	94.842	Vertical	Pass
		1753.5	13.07	3.30	8.90	18.67	73.621	Vertical	Pass
5.0MHz Band QPSK	1/#Mid	1712.5	13.11	3.13	8.90	18.88	77.268	Vertical	Pass
		1732.5	14.12	3.27	8.90	19.75	94.406	Vertical	Pass
		1752.5	13.15	3.30	8.90	18.75	74.989	Vertical	Pass
10.0MHz Band QPSK	1/#Mid	1715	13.98	3.15	8.90	19.73	93.972	Vertical	Pass
		1732.5	14.72	3.31	8.90	20.31	107.399	Vertical	Pass

QPSK		1750	13.70	3.33	8.90	19.27	84.528	Vertical	Pass
15.0MH z Band QPSK	1/#Mid	1717.5	14.58	3.15	8.90	20.33	107.895	Vertical	Pass
		1732.5	14.42	3.31	8.90	20.01	100.231	Vertical	Pass
		1747.5	13.45	3.33	8.90	19.02	79.799	Vertical	Pass
20.0MH z Band QPSK	1/#Mid	1720	12.78	3.17	8.90	18.51	70.958	Vertical	Pass
		1732.5	14.84	3.32	8.90	20.42	110.154	Vertical	Pass
		1745	12.81	3.36	8.90	18.35	68.391	Vertical	Pass

Note:

SG Level= Signal generator output

Max. EIRP Average (dBm)= Antenna Gain(dB)+ SG Level (dBm)- Cable Loss(dBm)

Radiated Power (EIRP) for Band 4									
Mode	RB Size/RB Position	Frequency	Result					Polarization	Conclusion
			SG Level (dBm)	Cable Loss (dB)	Antenna Gain (dBi)	Max. EIRP Average (dBm)	Max. EIRP		
							Average (mW)		
1.4MHz Band 16 QAM	1/#Mid	1710.7	14.24	3.12	8.90	20.02	100.462	Horizontal	Pass
		1732.5	13.22	3.27	8.90	18.85	76.736	Horizontal	Pass
		1754.3	12.56	3.29	8.90	18.17	65.615	Horizontal	Pass
3.0MHz Band 16 QAM	1/#Mid	1711.5	12.71	3.13	8.90	18.48	70.469	Horizontal	Pass
		1732.5	14.09	3.27	8.90	19.72	93.756	Horizontal	Pass
		1753.5	12.74	3.30	8.90	18.34	68.234	Horizontal	Pass
5.0MHz Band 16 QAM	1/#Mid	1712.5	13.13	3.13	8.90	18.90	77.625	Horizontal	Pass
		1732.5	13.18	3.27	8.90	18.81	76.033	Horizontal	Pass
		1752.5	12.58	3.30	8.90	18.18	65.766	Horizontal	Pass
10.0MHz Band 16 QAM	1/#Mid	1715	13.40	3.15	8.90	19.15	82.224	Horizontal	Pass
		1732.5	12.85	3.31	8.90	18.44	69.823	Horizontal	Pass
		1750	13.54	3.33	8.90	19.11	81.470	Horizontal	Pass
15.0MHz Band 16 QAM	1/#Mid	1717.5	12.47	3.15	8.90	18.22	66.374	Horizontal	Pass
		1732.5	14.05	3.31	8.90	19.64	92.045	Horizontal	Pass
		1747.5	12.35	3.33	8.90	17.92	61.944	Horizontal	Pass
20.0MHz Band 16 QAM	1/#Mid	1720	14.32	3.17	8.90	20.05	101.158	Horizontal	Pass
		1732.5	13.17	3.32	8.90	18.75	74.989	Horizontal	Pass
		1745	13.20	3.36	8.90	18.74	74.817	Horizontal	Pass
1.4MHz Band 16 QAM	1/#Mid	1710.7	13.53	3.12	8.90	19.31	85.310	Vertical	Pass
		1732.5	12.82	3.27	8.90	18.45	69.984	Vertical	Pass
		1754.3	13.60	3.29	8.90	19.21	83.368	Vertical	Pass
3.0MHz Band 16 QAM	1/#Mid	1711.5	12.43	3.13	8.90	18.20	66.069	Vertical	Pass
		1732.5	12.95	3.27	8.90	18.58	72.111	Vertical	Pass
		1753.5	13.61	3.30	8.90	19.21	83.368	Vertical	Pass
5.0MHz Band 16 QAM	1/#Mid	1712.5	13.31	3.13	8.90	19.08	80.910	Vertical	Pass
		1732.5	12.90	3.27	8.90	18.53	71.285	Vertical	Pass
		1752.5	12.63	3.30	8.90	18.23	66.527	Vertical	Pass
10.0MHz Band 16 QAM	1/#Mid	1715	13.03	3.15	8.90	18.78	75.509	Vertical	Pass
		1732.5	13.43	3.31	8.90	19.02	79.799	Vertical	Pass
		1750	13.67	3.33	8.90	19.24	83.946	Vertical	Pass
15.0MHz Band 16 QAM	1/#Mid	1717.5	13.11	3.15	8.90	18.86	76.913	Vertical	Pass
		1732.5	13.79	3.31	8.90	19.38	86.696	Vertical	Pass
		1747.5	12.20	3.33	8.90	17.77	59.841	Vertical	Pass

20.0MHz	1/#Mid	1720	12.08	3.17	8.90	17.81	60.395	Vertical	Pass
Band 16		1732.5	13.10	3.32	8.90	18.68	73.790	Vertical	Pass
QAM		1745	12.99	3.36	8.90	18.53	71.285	Vertical	Pass

Note:

SG Level= Signal generator output

Max. EIRP Average (dBm)= Antenna Gain(dB)+ SG Level (dBm)- Cable Loss(dBm)

8.4 LTE BAND 5

Radiated Power (ERP) for Band 5											
Mode	RB Size/RB Position	Frequency	Result							Polarization	Conclusion
			SG Level (dBm)	Cable Loss (dB)	Antenna Gain (dBi)	Correction (dB)	Max. ERP Average (dBm)	Max. ERP			
								Average (mW)			
1.4MHz Band QPSK	1/#Mid	824.7	16.07	2.01	5.30	2.15	17.21	52.602	Horizontal	Pass	
		836.5	17.71	2.01	5.30	2.15	18.85	76.736	Horizontal	Pass	
		848.3	16.21	2.02	5.70	2.15	17.74	59.429	Horizontal	Pass	
3.0MHz Band QPSK	1/#Mid	825.5	16.25	2.01	5.30	2.15	17.39	54.828	Horizontal	Pass	
		836.5	17.28	2.01	5.30	2.15	18.42	69.502	Horizontal	Pass	
		847.5	16.43	2.02	5.70	2.15	17.96	62.517	Horizontal	Pass	
5.0MHz Band QPSK	1/#Mid	826.5	17.15	2.01	5.30	2.15	18.29	67.453	Horizontal	Pass	
		836.5	17.63	2.01	5.30	2.15	18.77	75.336	Horizontal	Pass	
		846.5	16.71	2.02	5.70	2.15	18.24	66.681	Horizontal	Pass	
10.0MHz Band QPSK	1/#Mid	829	16.77	2.01	5.30	2.15	17.91	61.802	Horizontal	Pass	
		836.5	17.90	2.01	5.30	2.15	19.04	80.168	Horizontal	Pass	
		844	16.00	2.02	5.70	2.15	17.53	56.624	Horizontal	Pass	
1.4MHz Band QPSK	1/#Mid	824.7	16.42	2.01	5.30	2.15	17.56	57.016	Vertical	Pass	
		836.5	17.65	2.01	5.30	2.15	18.79	75.683	Vertical	Pass	
		848.3	16.74	2.02	5.70	2.15	18.27	67.143	Vertical	Pass	
3.0MHz Band QPSK	1/#Mid	825.5	17.34	2.01	5.30	2.15	18.48	70.469	Vertical	Pass	
		836.5	17.73	2.01	5.30	2.15	18.87	77.090	Vertical	Pass	
		847.5	17.26	2.02	5.70	2.15	18.79	75.683	Vertical	Pass	
5.0MHz Band QPSK	1/#Mid	826.5	16.63	2.01	5.30	2.15	17.77	59.841	Vertical	Pass	
		836.5	17.11	2.01	5.30	2.15	18.25	66.834	Vertical	Pass	
		846.5	17.46	2.02	5.70	2.15	18.99	79.250	Vertical	Pass	
10.0MHz Band QPSK	1/#Mid	829	16.47	2.01	5.30	2.15	17.61	57.677	Vertical	Pass	
		836.5	17.86	2.01	5.30	2.15	19.00	79.433	Vertical	Pass	
		844	17.50	2.02	5.70	2.15	19.03	79.983	Vertical	Pass	

Radiated Power (ERP) for Band 5											
Mode	RB Size/RB Position	Frequency	Result							Polarization	Conclusion
			SG Level (dBm)	Cable Loss (dB)	Antenna Gain (dBi)	Correction (dB)	Max. ERP Average (dBm)	Max. ERP			
								Average (mW)			
1.4MHz Band 16 QAM	1/#Mid	824.7	15.46	2.01	5.30	2.15	16.60	45.709	Horizontal	Pass	
		836.5	16.13	2.01	5.30	2.15	17.27	53.333	Horizontal	Pass	
		848.3	16.16	2.02	5.70	2.15	17.69	58.749	Horizontal	Pass	
3.0MHz Band 16 QAM	1/#Mid	825.5	15.77	2.01	5.30	2.15	16.91	49.091	Horizontal	Pass	
		836.5	17.46	2.01	5.30	2.15	18.60	72.444	Horizontal	Pass	
		847.5	16.40	2.02	5.70	2.15	17.93	62.087	Horizontal	Pass	
5.0MHz Band 16 QAM	1/#Mid	826.5	17.11	2.01	5.30	2.15	18.25	66.834	Horizontal	Pass	
		836.5	16.49	2.01	5.30	2.15	17.63	57.943	Horizontal	Pass	
		846.5	16.62	2.02	5.70	2.15	18.15	65.313	Horizontal	Pass	
10.0MHz Band 16 QAM	1/#Mid	829	17.29	2.01	5.30	2.15	18.43	69.663	Horizontal	Pass	
		836.5	16.13	2.01	5.30	2.15	17.27	53.333	Horizontal	Pass	
		844	16.66	2.02	5.70	2.15	18.19	65.917	Horizontal	Pass	
1.4MHz Band 16 QAM	1/#Mid	824.7	15.69	2.01	5.30	2.15	16.83	48.195	Vertical	Pass	
		836.5	17.06	2.01	5.30	2.15	18.20	66.069	Vertical	Pass	
		848.3	15.35	2.02	5.70	2.15	16.88	48.753	Vertical	Pass	
3.0MHz Band 16 QAM	1/#Mid	825.5	17.32	2.01	5.30	2.15	18.46	70.146	Vertical	Pass	
		836.5	16.24	2.01	5.30	2.15	17.38	54.702	Vertical	Pass	
		847.5	16.33	2.02	5.70	2.15	17.86	61.094	Vertical	Pass	
5.0MHz Band 16 QAM	1/#Mid	826.5	15.82	2.01	5.30	2.15	16.96	49.659	Vertical	Pass	
		836.5	17.63	2.01	5.30	2.15	18.77	75.336	Vertical	Pass	
		846.5	16.21	2.02	5.70	2.15	17.74	59.429	Vertical	Pass	
10.0MHz Band 16 QAM	1/#Mid	829	17.68	2.01	5.30	2.15	18.82	76.208	Vertical	Pass	
		836.5	15.85	2.01	5.30	2.15	16.99	50.003	Vertical	Pass	
		844	16.21	2.02	5.70	2.15	17.74	59.429	Vertical	Pass	

Note:

ERP=EIRP-2.15

SG Level= Signal generator output

Max. EIRP Average (dBm)= Antenna Gain(dB)+ SG Level (dBm)- Cable Loss(dBm)

8.5 LTE BAND 7

Radiated Power (EIRP) for Band 7										
Mode	RB Size/RB Position	Frequency	Result						Polarization	Conclusion
			SG Level (dBm)	Cable Loss (dB)	Antenna Gain (dBi)	Max. EIRP Average (dBm)	Max. EIRP			
							Average (mW)			
5.0MHz Band QPSK	1/#Mid	2502.5	15.55	4.54	9.00	20.01	100.231	Horizontal	Pass	
		2535	15.08	4.69	9.00	19.39	86.896	Horizontal	Pass	
		2567.5	15.73	4.71	9.00	20.02	100.462	Horizontal	Pass	
10.0MHz Band QPSK	1/#Mid	2505	14.63	4.55	9.00	19.08	80.910	Horizontal	Pass	
		2535	14.85	4.69	9.00	19.16	82.414	Horizontal	Pass	
		2565	15.52	4.72	9.00	19.80	95.499	Horizontal	Pass	
15.0MHz Band QPSK	1/#Mid	2507.5	14.72	4.55	9.00	19.17	82.604	Horizontal	Pass	
		2535	15.55	4.69	9.00	19.86	96.828	Horizontal	Pass	
		2562.5	14.89	4.72	9.00	19.17	82.604	Horizontal	Pass	
20.0MHz Band QPSK	1/#Mid	2510	15.14	4.57	9.00	19.57	90.573	Horizontal	Pass	
		2535	15.63	4.73	9.00	19.90	97.724	Horizontal	Pass	
		2560	14.42	4.75	9.00	18.67	73.621	Horizontal	Pass	
5.0MHz Band QPSK	1/#Mid	2502.5	14.57	4.54	9.00	19.03	79.983	Vertical	Pass	
		2535	14.95	4.69	9.00	19.26	84.333	Vertical	Pass	
		2567.5	15.67	4.71	9.00	19.96	99.083	Vertical	Pass	
10.0MHz Band QPSK	1/#Mid	2505	15.14	4.55	9.00	19.59	90.991	Vertical	Pass	
		2535	15.44	4.69	9.00	19.75	94.406	Vertical	Pass	
		2565	14.49	4.72	9.00	18.77	75.336	Vertical	Pass	
15.0MHz Band QPSK	1/#Mid	2507.5	14.69	4.55	9.00	19.14	82.035	Vertical	Pass	
		2535	15.19	4.69	9.00	19.50	89.125	Vertical	Pass	
		2562.5	15.86	4.72	9.00	20.14	103.276	Vertical	Pass	
20.0MHz Band QPSK	1/#Mid	2510	14.75	4.57	9.00	19.18	82.794	Vertical	Pass	
		2535	14.65	4.73	9.00	18.92	77.983	Vertical	Pass	
		2560	16.17	4.75	9.00	20.42	110.154	Vertical	Pass	

Radiated Power (EIRP) for Band 7									
Mode	RB Size/RB Position	Frequency	Result					Polarization	Conclusion
			SG Level (dBm)	Cable Loss (dB)	Antenna Gain (dBi)	Max. EIRP Average (dBm)	Max. EIRP		
							Average (mW)		
5.0MHz Band 16 QAM	1/#Mid	2502.5	13.78	4.54	9.00	18.24	66.681	Horizontal	Pass
		2535	14.84	4.69	9.00	19.15	82.224	Horizontal	Pass
		2567.5	15.02	4.71	9.00	19.31	85.310	Horizontal	Pass
10.0MHz Band 16 QAM	1/#Mid	2505	14.37	4.55	9.00	18.82	76.208	Horizontal	Pass
		2535	15.80	4.69	9.00	20.11	102.565	Horizontal	Pass
		2565	14.31	4.72	9.00	18.59	72.277	Horizontal	Pass
15.0MHz Band 16 QAM	1/#Mid	2507.5	14.18	4.55	9.00	18.63	72.946	Horizontal	Pass
		2535	14.45	4.69	9.00	18.76	75.162	Horizontal	Pass
		2562.5	15.47	4.72	9.00	19.75	94.406	Horizontal	Pass
20.0MHz Band 16 QAM	1/#Mid	2510	15.19	4.57	9.00	19.62	91.622	Horizontal	Pass
		2535	14.98	4.73	9.00	19.25	84.140	Horizontal	Pass
		2560	15.17	4.75	9.00	19.42	87.498	Horizontal	Pass
5.0MHz Band 16 QAM	1/#Mid	2502.5	14.00	4.54	9.00	18.46	70.146	Vertical	Pass
		2535	15.76	4.69	9.00	20.07	101.625	Vertical	Pass
		2567.5	14.26	4.71	9.00	18.55	71.614	Vertical	Pass
10.0MHz Band 16 QAM	1/#Mid	2505	14.62	4.55	9.00	19.07	80.724	Vertical	Pass
		2535	15.01	4.69	9.00	19.32	85.507	Vertical	Pass
		2565	14.18	4.72	9.00	18.46	70.146	Vertical	Pass
15.0MHz Band 16 QAM	1/#Mid	2507.5	14.09	4.55	9.00	18.54	71.450	Vertical	Pass
		2535	15.27	4.69	9.00	19.58	90.782	Vertical	Pass
		2562.5	15.19	4.72	9.00	19.47	88.512	Vertical	Pass
20.0MHz Band 16 QAM	1/#Mid	2510	13.79	4.57	9.00	18.22	66.374	Vertical	Pass
		2535	15.97	4.73	9.00	20.24	105.682	Vertical	Pass
		2560	15.34	4.75	9.00	19.59	90.991	Vertical	Pass

Note:

SG Level= Signal generator output

Max. EIRP Average (dBm)= Antenna Gain(dB)+ SG Level (dBm)- Cable Loss(dBm)

8.5 LTE BAND 12

Radiated Power (ERP) for Band 12											
Mode	RB Size/RB Position	Frequency	Result							Polarization	Conclusion
			SG Level (dBm)	Cable Loss (dB)	Antenna Gain (dBi)	Correction (dB)	Max. ERP Average (dBm)	Max. ERP			
								Average			
								(mW)			
1.4MHz Band QPSK	1/#Mid	699.7	17.64	1.91	5.60	2.15	19.18	82.794	Vertical	Pass	
		707.5	18.31	1.91	5.70	2.15	19.95	98.855	Vertical	Pass	
		715.3	16.91	1.93	5.80	2.15	18.63	72.946	Vertical	Pass	
3.0MHz Band QPSK	1/#Mid	700.5	18.75	1.91	5.60	2.15	20.29	106.905	Vertical	Pass	
		707.5	18.87	1.91	5.70	2.15	20.51	112.460	Vertical	Pass	
		714.5	17.78	1.93	5.80	2.15	19.50	89.125	Vertical	Pass	
5.0MHz Band QPSK	1/#Mid	701.5	17.13	1.91	5.60	2.15	18.67	73.621	Vertical	Pass	
		707.5	17.32	1.91	5.70	2.15	18.96	78.705	Vertical	Pass	
		713.5	16.38	1.92	5.80	2.15	18.11	64.714	Vertical	Pass	
10.0MHz Band QPSK	1/#Mid	704	16.04	1.91	5.60	2.15	17.58	57.280	Vertical	Pass	
		707.5	16.88	1.91	5.70	2.15	18.52	71.121	Vertical	Pass	
		711	16.66	1.92	5.80	2.15	18.39	69.024	Vertical	Pass	
1.4MHz Band QPSK	1/#Mid	699.7	17.04	1.91	5.60	2.15	18.58	72.111	Horizontal	Pass	
		707.5	18.13	1.91	5.70	2.15	19.77	94.842	Horizontal	Pass	
		715.3	18.19	1.93	5.80	2.15	19.91	97.949	Horizontal	Pass	
3.0MHz Band QPSK	1/#Mid	700.5	17.60	1.91	5.60	2.15	19.14	82.035	Horizontal	Pass	
		707.5	17.52	1.91	5.70	2.15	19.16	82.414	Horizontal	Pass	
		714.5	16.88	1.93	5.80	2.15	18.60	72.444	Horizontal	Pass	
5.0MHz Band QPSK	1/#Mid	701.5	17.28	1.91	5.60	2.15	18.82	76.208	Horizontal	Pass	
		707.5	18.28	1.91	5.70	2.15	19.92	98.175	Horizontal	Pass	
		713.5	17.68	1.92	5.80	2.15	19.41	87.297	Horizontal	Pass	
10.0MHz Band QPSK	1/#Mid	704	17.39	1.91	5.60	2.15	18.93	78.163	Horizontal	Pass	
		707.5	16.57	1.91	5.70	2.15	18.21	66.222	Horizontal	Pass	
		711	18.83	1.92	5.80	2.15	20.56	113.763	Horizontal	Pass	

Radiated Power (ERP) for Band 12											
Mode	RB Size/RB Position	Frequency	Result							Polarization	Conclusion
			SG Level (dBm)	Cable Loss (dB)	Antenna Gain (dBi)	Correction (dB)	Max. ERP Average (dBm)	Max. ERP			
								Average			
								(mW)			
1.4MHz Band 16 QAM	1/#Mid	699.7	17.40	1.91	5.60	2.15	18.94	78.343	Vertical	Pass	
		707.5	16.77	1.91	5.70	2.15	18.41	69.343	Vertical	Pass	
		715.3	15.88	1.93	5.80	2.15	17.60	57.544	Vertical	Pass	
3.0MHz Band 16 QAM	1/#Mid	700.5	16.85	1.91	5.60	2.15	18.39	69.024	Vertical	Pass	
		707.5	16.46	1.91	5.70	2.15	18.10	64.565	Vertical	Pass	
		714.5	17.33	1.93	5.80	2.15	19.05	80.353	Vertical	Pass	
5.0MHz Band 16 QAM	1/#Mid	701.5	16.43	1.91	5.60	2.15	17.97	62.661	Vertical	Pass	
		707.5	17.50	1.91	5.70	2.15	19.14	82.035	Vertical	Pass	
		713.5	17.39	1.92	5.80	2.15	19.12	81.658	Vertical	Pass	
10.0MHz Band 16 QAM	1/#Mid	704	16.48	1.91	5.60	2.15	18.02	63.387	Vertical	Pass	
		707.5	17.59	1.91	5.70	2.15	19.23	83.753	Vertical	Pass	
		711	16.45	1.92	5.80	2.15	18.18	65.766	Vertical	Pass	
1.4MHz Band 16 QAM	1/#Mid	699.7	17.34	1.91	5.60	2.15	18.88	77.268	Horizontal	Pass	
		707.5	17.26	1.91	5.70	2.15	18.90	77.625	Horizontal	Pass	
		715.3	16.37	1.93	5.80	2.15	18.09	64.417	Horizontal	Pass	
3.0MHz Band 16 QAM	1/#Mid	700.5	16.27	1.91	5.60	2.15	17.81	60.395	Horizontal	Pass	
		707.5	17.51	1.91	5.70	2.15	19.15	82.224	Horizontal	Pass	
		714.5	16.21	1.93	5.80	2.15	17.93	62.087	Horizontal	Pass	
5.0MHz Band 16 QAM	1/#Mid	701.5	16.13	1.91	5.60	2.15	17.67	58.479	Horizontal	Pass	
		707.5	17.44	1.91	5.70	2.15	19.08	80.910	Horizontal	Pass	
		713.5	16.85	1.92	5.80	2.15	18.58	72.111	Horizontal	Pass	
10.0MHz Band 16 QAM	1/#Mid	704	14.97	1.91	5.60	2.15	16.51	44.771	Horizontal	Pass	
		707.5	16.26	1.91	5.70	2.15	17.90	61.660	Horizontal	Pass	
		711	16.25	1.92	5.80	2.15	17.98	62.806	Horizontal	Pass	

Note:

ERP=EIRP-2.15

SG Level= Signal generator output

Max. EIRP Average (dBm)= Antenna Gain(dB)+ SG Level (dBm)- Cable Loss(dBm)

8.6 LTE BAND 17

Radiated Power (ERP) for Band 17											
Mode	RB Size/RB Position	Frequency	Result							Polarization	Conclusion
			SG Level (dBm)	Cable Loss (dB)	Antenna Gain (dBi)	Correction (dB)	Max. ERP Average (dBm)	Max. ERP			
								Average (mW)			
5.0MHz Band QPSK	1/#Mid	706.5	17.49	1.91	5.60	2.15	19.03	79.983	Vertical	Pass	
		710	17.27	1.91	5.70	2.15	18.91	77.804	Vertical	Pass	
		713.5	17.39	1.92	5.80	2.15	19.12	81.658	Vertical	Pass	
10.0MHz Band QPSK	1/#Mid	709	16.43	1.91	5.60	2.15	17.97	62.661	Vertical	Pass	
		710	17.11	1.91	5.70	2.15	18.75	74.989	Vertical	Pass	
		711	17.46	1.92	5.80	2.15	19.19	82.985	Vertical	Pass	
5.0MHz Band QPSK	1/#Mid	706.5	16.73	1.91	5.60	2.15	18.27	67.143	Horizontal	Pass	
		710	16.81	1.91	5.70	2.15	18.45	69.984	Horizontal	Pass	
		713.5	16.37	1.92	5.80	2.15	18.10	64.565	Horizontal	Pass	
10.0MHz Band QPSK	1/#Mid	709	17.33	1.91	5.60	2.15	18.87	77.090	Horizontal	Pass	
		710	17.10	1.91	5.70	2.15	18.74	74.817	Horizontal	Pass	
		711	15.99	1.92	5.80	2.15	17.72	59.156	Horizontal	Pass	

Radiated Power (ERP) for Band 17											
Mode	RB Size/RB Position	Frequency	Result							Polarization	Conclusion
			SG Level (dBm)	Cable Loss (dB)	Antenna Gain (dBi)	Correction (dB)	Max. ERP Average (dBm)	Max. ERP			
								Average (mW)			
5.0MHz Band 16 QAM	1/#Mid	706.5	16.81	1.91	5.60	2.15	18.35	68.391	Vertical	Pass	
		710	16.39	1.91	5.70	2.15	18.03	63.533	Vertical	Pass	
		713.5	17.43	1.92	5.80	2.15	19.16	82.414	Vertical	Pass	
10.0MHz Band 16 QAM	1/#Mid	709	15.91	1.91	5.60	2.15	17.45	55.590	Vertical	Pass	
		710	15.84	1.91	5.70	2.15	17.48	55.976	Vertical	Pass	
		711	15.59	1.92	5.80	2.15	17.32	53.951	Vertical	Pass	
5.0MHz Band 16 QAM	1/#Mid	706.5	17.52	1.91	5.60	2.15	19.06	80.538	Horizontal	Pass	
		710	17.46	1.91	5.70	2.15	19.10	81.283	Horizontal	Pass	
		713.5	16.25	1.92	5.80	2.15	17.98	62.806	Horizontal	Pass	
10.0MHz Band 16 QAM	1/#Mid	709	17.30	1.91	5.60	2.15	18.84	76.560	Horizontal	Pass	
		710	17.57	1.91	5.70	2.15	19.21	83.368	Horizontal	Pass	
		711	16.65	1.92	5.80	2.15	18.38	68.865	Horizontal	Pass	

Note:

ERP=EIRP-2.15

SG Level= Signal generator output

Max. EIRP Average (dBm)= Antenna Gain(dB)+ SG Level (dBm)- Cable Loss(dBm)

9. SPURIOUS RADIATION EMISSION

RULE PART(S)

FCC: §2.1051, §22.917(a), §24.238(a), §27.53(c)(g)(h)(m)

LIMIT

For Band 7, the minimum permissible attenuation level of any spurious emission is $55 + \log_{10}(P)$ [Watts].

The minimum permissible attenuation level of any spurious emission is $43 + \log_{10}(P)$ [Watts], where P is the transmitter power in Watts.

TEST PROCEDURE

For Cellular equipment - Compliance with these rules is based on the use of measurement instrumentation employing a resolution bandwidth of 100 kHz or greater. In the 1 MHz bands immediately outside and adjacent to the frequency block a resolution bandwidth of at least one percent of the emission bandwidth of the fundamental emission of the transmitter may be employed. A narrower resolution bandwidth is permitted in all cases to improve measurement accuracy provided the measured power is integrated over the full required measurement bandwidth (i.e. 100 kHz or 1 percent of emission bandwidth, as specified). The emission bandwidth is defined as the width of the signal between two points, one below the carrier center frequency and one above the carrier center frequency, outside of which all emissions are attenuated at least 26 dB below the transmitter power.

For PCS equipment - Compliance with these rules is based on the use of measurement instrumentation employing a resolution bandwidth of 1 MHz or greater. However, in the 1 MHz bands immediately outside and adjacent to the frequency block a resolution bandwidth of at least one percent of the emission bandwidth of the fundamental emission of the transmitter may be employed. A narrower resolution bandwidth is permitted in all cases to improve measurement accuracy provided the measured power is integrated over the full required measurement bandwidth (i.e. 1 MHz or 1 percent of emission bandwidth, as specified). The emission bandwidth is defined as the width of the signal between two points, one below the carrier center frequency and one above the carrier center frequency, outside of which all emissions are attenuated at least 26 dB below the transmitter power.

The unwanted emission power shall be measured with a resolution bandwidth of at least 1% of the occupied bandwidth in the 1 MHz band immediately outside and adjacent to the channel edge of the equipment. Beyond the 1 MHz band immediately outside the channel edge of the equipment, a resolution bandwidth of 1 MHz shall be employed. A narrower resolution bandwidth is allowed to be used provided that the measured power is integrated over the full required measurement bandwidth of 1 MHz or 1% of the occupied bandwidth as applicable.

The power of any unwanted emissions measured from the channel edge of the equipment shall be attenuated below the transmitter power, P (dBW), as follows:

- a. for base station and subscriber equipment, other than mobile subscriber equipment, the attenuation shall not be less than $43 + 10 \text{ Log}_{10}(p)$, dB; and
- b. for mobile subscriber equipment, the attenuation shall not be less than $43 + 10 \text{ Log}_{10}(p)$, dB at the channel edges and $55 + 10 \text{ Log}_{10}(p)$ at 5.5 MHz away and beyond the channel edges where p in (a) and (b) is the transmitter power measured in watts.

MODES TESTED

- LTE Band2
LTE Band 4
- LTE Band 5
LTE Band 7
LTE Band 12
LTE Band 17

RESULTS

PASS

9.1 LTE BAND 2

QPSK EIRP POWER FOR LTE BAND 2 (1.4MHZ BANDWIDTH)

Test Results for Low Channel 1850.7MHz							
Frequency (MHz)	Spectrum Analyzer (dBm)	Cable Loss (dB)	Antenna Factor (dB/m)	Spurious Emission Level (dBm)	Limit (dBm)	Margin (dB)	Polarity
3701.4	-81.58	4.04	33.51	-32.29	-13	-19.29	Horizontal
3701.4	-80.01	4.04	33.51	-30.72	-13	-17.72	Vertical
5552.1	-72.89	5.24	35.84	-20.07	-13	-7.07	Vertical
5552.1	-77.46	5.24	35.84	-24.64	-13	-11.64	Horizontal
231.3	-57.48	1.37	15.21	-29.16	-13	-16.16	Vertical
267.3	-67.78	1.65	17.07	-37.32	-13	-24.32	Horizontal
Test Results for Mid Channel 1880MHz							
3760.0	-77.06	4.04	33.56	-27.72	-13	-14.72	Horizontal
3760.0	-75.08	4.04	33.56	-25.74	-13	-12.74	Vertical
5640.0	-78.36	5.24	35.91	-25.47	-13	-12.47	Vertical
5640.0	-84.37	5.24	35.91	-31.48	-13	-18.48	Horizontal
234.2	-59.51	1.30	15.24	-31.23	-13	-18.23	Vertical
144.0	-59.14	1.32	16.46	-29.62	-13	-16.62	Horizontal
Test Results for High Channel 1909.3MHz							
3818.6	-76.55	4.04	34.00	-26.77	-13	-13.77	Horizontal
3818.6	-77.21	4.04	34.00	-27.43	-13	-14.43	Vertical
5727.9	-82.88	5.24	36.04	-29.86	-13	-16.86	Vertical
5727.9	-81.20	5.24	36.04	-28.18	-13	-15.18	Horizontal
182.3	-62.58	1.56	15.18	-34.10	-13	-21.10	Vertical
175.3	-62.97	1.62	17.94	-31.67	-13	-18.67	Horizontal

QPSK EIRP POWER FOR LTE BAND 2 (20.0MHZ BANDWIDTH)

Test Results for Low Channel 1860MHz							
Frequency (MHz)	Spectrum Analyzer (dBm)	Cable Loss (dB)	Antenna Factor (dB/m)	Spurious Emission Level (dBm)	Limit (dBm)	Margin (dB)	Polarity
3720.0	-79.77	4.07	33.54	-30.42	-13	-17.42	Horizontal
3720.0	-75.62	4.07	33.54	-26.27	-13	-13.27	Vertical
5580.0	-78.88	5.28	35.86	-26.00	-13	-13.00	Vertical
5580.0	-80.04	5.28	35.86	-27.16	-13	-14.16	Horizontal
123.1	-59.90	1.63	16.48	-30.05	-13	-17.05	Vertical
193.9	-64.73	1.36	15.12	-36.51	-13	-23.51	Horizontal
Test Results for Mid Channel 1880MHz							
3760.0	-77.80	4.04	33.56	-28.46	-13	-15.46	Horizontal
3760.0	-80.78	4.04	33.56	-31.44	-13	-18.44	Vertical
5640.0	-75.03	5.24	35.91	-22.14	-13	-9.14	Vertical
5640.0	-82.45	5.24	35.91	-29.56	-13	-16.56	Horizontal
226.0	-59.97	1.56	16.66	-30.01	-13	-17.01	Vertical
160.3	-64.66	1.67	15.79	-35.46	-13	-22.46	Horizontal
Test Results for High Channel 1900MHz							
3800.0	-78.46	4.04	34.00	-28.68	-13	-15.68	Horizontal
3800.0	-79.07	4.04	34.00	-29.29	-13	-16.29	Vertical
5700.0	-73.43	5.24	36.04	-20.41	-13	-7.41	Vertical
5700.0	-80.09	5.24	36.04	-27.07	-13	-14.07	Horizontal
236.8	-59.14	1.31	17.33	-28.76	-13	-15.76	Vertical
150.0	-63.89	1.66	17.42	-33.07	-13	-20.07	Horizontal

Note: Spurious Emission Level = Spectrum Analyzer Read Value + Cable Loss+ Antenna Factor + 11.74
 Margin = Spurious Emission Level - Limit
 Both QPSK and 16QAM has been tested, the worst case is QPSK mode, the report just reported the worst case.

9.2 LTE BAND 4

QPSK EIRP POWER FOR LTE BAND 4 (1.4MHZ BANDWIDTH)

Test Results for Low Channel 1710.7MHz							
Frequency (MHz)	Spectrum Analyzer (dBm)	Cable Loss (dB)	Antenna Factor (dB/m)	Spurious Emission Level (dBm)	Limit (dBm)	Margin (dB)	Polarity
3421.4	-76.83	4.02	29.80	-31.27	-13	-18.27	Horizontal
3421.4	-80.06	4.02	29.80	-34.50	-13	-21.50	Vertical
5132.1	-77.93	5.24	35.84	-25.11	-13	-12.11	Vertical
5132.1	-79.50	5.24	35.84	-26.68	-13	-13.68	Horizontal
235.5	-60.83	1.59	16.01	-31.49	-13	-18.49	Vertical
213.3	-60.29	1.67	15.09	-31.79	-13	-18.79	Horizontal
Test Results for Mid Channel 1732.5MHz							
3465.0	-76.95	4.03	30.00	-31.18	-13	-18.18	Horizontal
3465.0	-78.46	4.03	30.00	-32.69	-13	-19.69	Vertical
5197.5	-74.93	5.25	35.86	-22.08	-13	-9.08	Vertical
5197.5	-80.39	5.25	35.86	-27.54	-13	-14.54	Horizontal
184.2	-63.39	1.60	17.15	-32.90	-13	-19.90	Vertical
185.0	-63.09	1.43	16.20	-33.72	-13	-20.72	Horizontal
Test Results for High Channel 1754.3MHz							
3508.6	-76.39	4.05	30.01	-30.59	-13	-17.59	Horizontal
3508.6	-79.37	4.05	30.01	-33.57	-13	-20.57	Vertical
5262.9	-82.17	5.26	35.86	-29.31	-13	-16.31	Vertical
5262.9	-74.49	5.26	35.86	-21.63	-13	-8.63	Horizontal
262.4	-60.08	1.59	16.87	-29.88	-13	-16.88	Vertical
137.9	-59.29	1.62	15.64	-30.29	-13	-17.29	Horizontal

QPSK EIRP POWER FOR LTE BAND 4 (20.0MHZ BANDWIDTH)

Test Results for Low Channel 1720MHz							
Frequency (MHz)	Spectrum Analyzer (dBm)	Cable Loss (dB)	Antenna Factor (dB/m)	Spurious Emission Level (dBm)	Limit (dBm)	Margin (dB)	Polarity
3440.0	-76.19	4.02	29.80	-30.63	-13	-17.63	Horizontal
3440.0	-76.76	4.02	29.80	-31.20	-13	-18.20	Vertical
5160.0	-75.19	5.24	35.84	-22.37	-13	-9.37	Vertical
5160.0	-75.88	5.24	35.84	-23.06	-13	-10.06	Horizontal
224.7	-64.96	1.52	16.87	-34.83	-13	-21.83	Vertical
274.2	-62.17	1.72	16.60	-32.11	-13	-19.11	Horizontal
Test Results for Mid Channel 1732.5MHz							
3465.0	-74.50	4.03	30.00	-28.73	-13	-15.73	Horizontal
3465.0	-79.13	4.03	30.00	-33.36	-13	-20.36	Vertical
5197.5	-79.59	5.25	35.86	-26.74	-13	-13.74	Vertical
5197.5	-78.87	5.25	35.86	-26.02	-13	-13.02	Horizontal
101.2	-61.96	1.32	15.61	-33.29	-13	-20.29	Vertical
141.7	-66.36	1.39	15.90	-37.33	-13	-24.33	Horizontal
Test Results for High Channel 1745MHz							
3490.0	-78.35	2.91	27.68	-36.02	-13	-23.02	Horizontal
3490.0	-74.64	2.91	27.68	-32.31	-13	-19.31	Vertical
5235.0	-75.86	5.26	35.86	-23.00	-13	-10.00	Vertical
5235.0	-79.41	5.26	35.86	-26.55	-13	-13.55	Horizontal
209.2	-60.95	1.69	16.06	-31.46	-13	-18.46	Vertical
263.5	-57.92	1.79	16.67	-27.72	-13	-14.72	Horizontal

Note: Spurious Emission Level = Spectrum Analyzer Read Value + Cable Loss+ Antenna Factor + 11.74
 . Margin = Spurious Emission Level - Limit
 . Both QPSK and 16QAM has been tested, the worst case is QPSK mode, the report just reported the worst case.

9.3 LTE BAND 5

QPSK EIRP POWER FOR LTE BAND 5 (1.4MHZ BANDWIDTH)

Test Results for Low Channel 824.7MHz							
Frequency (MHz)	Spectrum Analyzer (dBm)	Cable Loss (dB)	Antenna Factor (dB/m)	Spurious Emission Level (dBm)	Limit (dBm)	Margin (dB)	Polarity
1649.4	-75.32	2.78	27.50	-33.30	-13	-20.30	Horizontal
1649.4	-74.62	2.78	27.50	-32.60	-13	-19.60	Vertical
2474.1	-74.02	2.90	27.80	-31.58	-13	-18.58	Vertical
2474.1	-72.11	2.90	27.80	-29.67	-13	-16.67	Horizontal
236.8	-58.91	1.58	15.33	-30.26	-13	-17.26	Vertical
161.8	-65.10	1.42	17.18	-34.76	-13	-21.76	Horizontal
Test Results For Mid Channel 836.5MHz							
1673.0	-69.02	2.80	27.48	-27.00	-13	-14.00	Horizontal
1673.0	-70.58	2.80	27.48	-28.56	-13	-15.56	Vertical
2509.5	-72.19	2.91	27.70	-29.84	-13	-16.84	Vertical
2509.5	-69.55	2.91	27.70	-27.20	-13	-14.20	Horizontal
117.7	-61.03	1.38	15.50	-32.41	-13	-19.41	Vertical
274.4	-60.61	1.45	16.58	-30.84	-13	-17.84	Horizontal
Test Results for High Channel 848.3MHz							
1696.6	-68.24	2.82	27.43	-26.25	-13	-13.25	Horizontal
1696.6	-67.33	2.82	27.43	-25.34	-13	-12.34	Vertical
2544.9	-71.53	2.92	27.74	-29.13	-13	-16.13	Vertical
2544.9	-73.82	2.92	27.74	-31.42	-13	-18.42	Horizontal
237.2	-58.45	1.31	15.66	-29.74	-13	-16.74	Vertical
158.1	-62.11	1.47	15.71	-33.19	-13	-20.19	Horizontal

QPSK EIRP POWER FOR LTE BAND 5 (10MHZ BANDWIDTH)

Test Results for Low Channel 829MHz							
Frequency (MHz)	Spectrum Analyzer (dBm)	Cable Loss (dB)	Antenna Factor (dB/m)	Spurious Emission Level (dBm)	Limit (dBm)	Margin (dB)	Polarity
1658.0	-71.99	2.78	27.50	-29.97	-13	-16.97	Horizontal
1658.0	-74.73	2.78	27.50	-32.71	-13	-19.71	Vertical
2487.0	-74.76	2.90	27.80	-32.32	-13	-19.32	Vertical
2487.0	-70.65	2.90	27.80	-28.21	-13	-15.21	Horizontal
204.1	-65.98	1.50	15.62	-37.12	-13	-24.12	Vertical
240.6	-62.20	1.57	16.72	-32.17	-13	-19.17	Horizontal
Test Results for Mid Channel 836.5MHz							
1673.0	-76.91	2.80	27.48	-34.89	-13	-21.89	Horizontal
1673.0	-70.33	2.80	27.48	-28.31	-13	-15.31	Vertical
2509.5	-70.91	2.91	27.70	-28.56	-13	-15.56	Vertical
2509.5	-75.85	2.91	27.70	-33.50	-13	-20.50	Horizontal
273.7	-62.92	1.66	15.26	-34.26	-13	-21.26	Vertical
264.2	-66.86	1.50	17.23	-36.39	-13	-23.39	Horizontal
Test Results for High Channel 844MHz							
1688.0	-72.95	2.82	27.43	-30.96	-13	-17.96	Horizontal
1688.0	-69.50	2.82	27.43	-27.51	-13	-14.51	Vertical
2532.0	-71.13	2.92	27.74	-28.73	-13	-15.73	Vertical
2532.0	-64.78	2.92	27.74	-22.38	-13	-9.38	Horizontal
213.5	-65.17	1.79	17.65	-33.99	-13	-20.99	Vertical
220.2	-63.53	1.33	16.37	-34.09	-13	-21.09	Horizontal

Note: Spurious Emission Level = Spectrum Analyzer Read Value + Cable Loss+ Antenna Factor + 11.74
 . Margin = Spurious Emission Level - Limit
 . Both QPSK and 16QAM has been tested, the worst case is QPSK mode, the report just reported the worst case.

9.4 LTE BAND 7

QPSK EIRP POWER FOR LTE BAND 7 (5.0MHZ BANDWIDTH)

Test Results for Low Channel 2502.5MHz							
Frequency (MHz)	Spectrum Analyzer (dBm)	Cable Loss (dB)	Antenna Factor (dB/m)	Spurious Emission Level (dBm)	Limit (dBm)	Margin (dB)	Polarity
5005.0	-86.08	5.23	35.81	-33.30	-25	-8.30	Horizontal
5005.0	-92.33	5.23	35.81	-39.55	-25	-14.55	Vertical
7507.5	-93.97	5.67	36.85	-39.71	-25	-14.71	Vertical
7507.5	-85.89	5.67	36.85	-31.63	-25	-6.63	Horizontal
256.3	-76.05	1.76	17.93	-44.62	-25	-19.62	Vertical
189.2	-75.55	1.62	17.31	-44.88	-25	-19.88	Horizontal
Test Results for Mid Channel 2535MHz							
5070.0	-90.47	5.23	35.82	-37.68	-25	-12.68	Horizontal
5070.0	-88.39	5.23	35.82	-35.60	-25	-10.60	Vertical
7605.0	-89.63	5.67	36.85	-35.37	-25	-10.37	Vertical
7605.0	-91.04	5.67	36.85	-36.78	-25	-11.78	Horizontal
270.0	-77.76	1.78	15.42	-48.82	-25	-23.82	Vertical
355.4	-76.13	1.73	15.29	-47.37	-25	-22.37	Horizontal
Test Results for High Channel 2567.5MHz							
5135.0	-89.73	5.24	35.83	-36.92	-25	-11.92	Horizontal
5135.0	-86.50	5.24	35.83	-33.69	-25	-8.69	Vertical
7702.5	-89.19	5.68	36.87	-34.90	-25	-9.90	Vertical
7702.5	-93.41	5.68	36.87	-39.12	-25	-14.12	Horizontal
199.1	-80.15	1.39	17.68	-49.34	-25	-24.34	Vertical
82.4	-77.83	1.68	15.66	-48.75	-25	-23.75	Horizontal

QPSK EIRP POWER FOR LTE BAND 7 (20.0MHZ BANDWIDTH)

Test Results for Low Channel 2510MHz							
Frequency (MHz)	Spectrum Analyzer (dBm)	Cable Loss (dB)	Antenna Factor (dB/m)	Spurious Emission Level (dBm)	Limit (dBm)	Margin (dB)	Polarity
5020.0	-89.25	5.23	35.82	-36.46	-25	-11.46	Horizontal
5020.0	-95.86	5.23	35.82	-43.07	-25	-18.07	Vertical
7530.0	-97.15	5.67	36.86	-42.88	-25	-17.88	Vertical
7530.0	-90.48	5.67	36.86	-36.21	-25	-11.21	Horizontal
218.3	-74.99	1.45	17.36	-44.44	-25	-19.44	Vertical
521.8	-71.54	1.50	17.74	-40.56	-25	-15.56	Horizontal
Test Results for Mid Channel 2535MHz							
5070.0	-90.20	5.23	35.82	-37.41	-25	-12.41	Horizontal
5070.0	-91.84	5.23	35.82	-39.05	-25	-14.05	Vertical
7605.0	-96.20	5.67	36.85	-41.94	-25	-16.94	Vertical
7605.0	-87.66	5.67	36.85	-33.40	-25	-8.40	Horizontal
497.0	-78.49	1.53	16.39	-48.83	-25	-23.83	Vertical
259.9	-77.53	1.51	15.31	-48.97	-25	-23.97	Horizontal
Test Results for High Channel 2560MHz							
5120.0	-85.90	5.24	35.83	-33.09	-25	-8.09	Horizontal
5120.0	-93.84	5.24	35.83	-41.03	-25	-16.03	Vertical
7680.0	-93.74	5.70	36.88	-39.42	-25	-14.42	Vertical
7680.0	-88.10	5.70	36.88	-33.78	-25	-8.78	Horizontal
165.9	-72.27	1.56	15.34	-43.63	-25	-18.63	Vertical
288.9	-79.81	1.32	16.38	-50.37	-25	-25.37	Horizontal

Note: Spurious Emission Level = Spectrum Analyzer Read Value + Cable Loss+ Antenna Factor + 11.74
 . Margin = Spurious Emission Level - Limit
 . Both QPSK and 16QAM has been tested, the worst case is QPSK mode, the report just reported the worst case.

9.5 LTE BAND 12

QPSK EIRP POWER FOR LTE BAND 12 (1.4MHZ BANDWIDTH)

Test Results for Low Channel 699.7MHz							
Frequency (MHz)	Spectrum Analyzer (dBm)	Cable Loss (dB)	Antenna Factor (dB/m)	Spurious Emission Level (dBm)	Limit (dBm)	Margin (dB)	Polarity
1399.4	-77.52	2.60	27.20	-35.98	-13	-22.98	Horizontal
1399.4	-75.35	2.60	27.20	-33.81	-13	-20.81	Vertical
2099.1	-74.77	2.85	27.54	-32.64	-13	-19.64	Vertical
2099.1	-70.90	2.85	27.54	-28.77	-13	-15.77	Horizontal
216.3	-65.52	1.31	17.12	-35.35	-13	-22.35	Vertical
156.3	-59.66	1.62	16.70	-29.60	-13	-16.60	Horizontal
Test Results For Mid Channel 707.5MHz							
1415.0	-70.26	2.61	27.28	-28.63	-13	-15.63	Horizontal
1415.0	-74.50	2.61	27.28	-32.87	-13	-19.87	Vertical
2122.5	-72.07	2.87	27.59	-29.87	-13	-16.87	Vertical
2122.5	-77.38	2.87	27.59	-35.18	-13	-22.18	Horizontal
127.6	-61.92	1.35	15.56	-33.27	-13	-20.27	Vertical
214.2	-67.93	1.61	17.67	-36.91	-13	-23.91	Horizontal
Test Results for High Channel 715.3MHz							
1430.6	-71.45	2.63	27.28	-29.80	-13	-16.80	Horizontal
1430.6	-72.41	2.63	27.28	-30.76	-13	-17.76	Vertical
2145.9	-76.06	2.88	27.60	-33.84	-13	-20.84	Vertical
2145.9	-70.16	2.88	27.60	-27.94	-13	-14.94	Horizontal
106.1	-61.17	1.48	17.30	-30.65	-13	-17.65	Vertical
136.5	-63.73	1.32	16.54	-34.13	-13	-21.13	Horizontal

QPSK EIRP POWER FOR LTE BAND 12 (10MHZ BANDWIDTH)

Test Results for Low Channel 704MHz							
Frequency (MHz)	Spectrum Analyzer (dBm)	Cable Loss (dB)	Antenna Factor (dB/m)	Spurious Emission Level (dBm)	Limit (dBm)	Margin (dB)	Polarity
1408.0	-72.47	2.61	27.26	-30.86	-13	-17.86	Horizontal
1408.0	-76.68	2.61	27.26	-35.07	-13	-22.07	Vertical
2112.0	-73.52	2.87	27.58	-31.33	-13	-18.33	Vertical
2112.0	-69.37	2.87	27.58	-27.18	-13	-14.18	Horizontal
207.9	-61.53	1.48	16.33	-31.98	-13	-18.98	Vertical
182.2	-60.95	1.63	15.34	-32.24	-13	-19.24	Horizontal
Test Results for Mid Channel 707.5MHz							
1415.0	-75.48	2.61	27.28	-33.85	-13	-20.85	Horizontal
1415.0	-73.29	2.61	27.28	-31.66	-13	-18.66	Vertical
2122.5	-75.31	2.87	27.59	-33.11	-13	-20.11	Vertical
2122.5	-69.65	2.87	27.59	-27.45	-13	-14.45	Horizontal
139.4	-61.12	1.75	17.50	-30.13	-13	-17.13	Vertical
216.5	-62.74	1.43	15.77	-33.80	-13	-20.80	Horizontal
Test Results for High Channel 711MHz							
1422.0	-70.18	2.62	27.28	-28.54	-13	-15.54	Horizontal
1422.0	-69.88	2.62	27.28	-28.24	-13	-15.24	Vertical
2133.0	-67.15	2.87	27.60	-24.94	-13	-11.94	Vertical
2133.0	-71.08	2.87	27.60	-28.87	-13	-15.87	Horizontal
106.3	-63.09	1.43	15.35	-34.57	-13	-21.57	Vertical
237.8	-65.54	1.60	16.26	-35.94	-13	-22.94	Horizontal

Note: Spurious Emission Level = Spectrum Analyzer Read Value + Cable Loss+ Antenna Factor + 11.74
 . Margin = Spurious Emission Level - Limit
 . Both QPSK and 16QAM has been tested, the worst case is QPSK mode, the report just reported the worst case.

9.6 LTE BAND 17

QPSK EIRP POWER FOR LTE BAND 17 (5MHZ BANDWIDTH)

Test Results for Low Channel 706.5MHz							
Frequency (MHz)	Spectrum Analyzer (dBm)	Cable Loss (dB)	Antenna Factor (dB/m)	Spurious Emission Level (dBm)	Limit (dBm)	Margin (dB)	Polarity
1413.0	-72.27	2.61	27.28	-30.64	-13	-17.64	Horizontal
1413.0	-72.63	2.61	27.28	-31.00	-13	-18.00	Vertical
2119.5	-70.40	2.87	27.59	-28.20	-13	-15.20	Vertical
2119.5	-72.03	2.87	27.59	-29.83	-13	-16.83	Horizontal
167.8	-59.17	1.49	16.70	-29.24	-13	-16.24	Vertical
163.4	-64.09	1.76	16.65	-33.94	-13	-20.94	Horizontal
Test Results For Mid Channel 710MHz							
1420.0	-70.91	2.62	27.30	-29.25	-13	-16.25	Horizontal
1420.0	-66.71	2.62	27.30	-25.05	-13	-12.05	Vertical
2130.0	-72.42	2.87	27.62	-30.19	-13	-17.19	Vertical
2130.0	-71.73	2.87	27.62	-29.50	-13	-16.50	Horizontal
135.1	-59.94	1.74	17.74	-28.72	-13	-15.72	Vertical
93.4	-64.66	1.71	15.08	-36.13	-13	-23.13	Horizontal
Test Results for High Channel 713.5MHz							
1427.0	-69.87	2.66	27.28	-28.19	-13	-15.19	Horizontal
1427.0	-68.73	2.66	27.28	-27.05	-13	-14.05	Vertical
2140.5	-72.25	2.88	27.60	-30.03	-13	-17.03	Vertical
2140.5	-70.50	2.88	27.60	-28.28	-13	-15.28	Horizontal
221.4	-66.90	1.45	17.31	-36.40	-13	-23.40	Vertical
126.1	-65.14	1.66	15.13	-36.61	-13	-23.61	Horizontal

QPSK EIRP POWER FOR LTE BAND 17 (10MHZ BANDWIDTH)

Test Results for Low Channel 709MHz							
Frequency (MHz)	Spectrum Analyzer (dBm)	Cable Loss (dB)	Antenna Factor (dB/m)	Spurious Emission Level (dBm)	Limit (dBm)	Margin (dB)	Polarity
1418.0	-72.29	2.62	27.30	-30.63	-13	-17.63	Horizontal
1418.0	-77.56	2.62	27.30	-35.90	-13	-22.90	Vertical
2127.0	-71.82	2.87	27.62	-29.59	-13	-16.59	Vertical
2127.0	-74.42	2.87	27.62	-32.19	-13	-19.19	Horizontal
88.3	-65.25	1.74	15.50	-36.27	-13	-23.27	Vertical
154.4	-66.19	1.64	16.34	-36.47	-13	-23.47	Horizontal
Test Results for Mid Channel 710MHz							
1420.0	-73.43	2.62	27.30	-31.77	-13	-18.77	Horizontal
1420.0	-76.70	2.62	27.30	-35.04	-13	-22.04	Vertical
2130.0	-72.21	2.87	27.62	-29.98	-13	-16.98	Vertical
2130.0	-71.49	2.87	27.62	-29.26	-13	-16.26	Horizontal
143.0	-61.86	1.53	16.86	-31.73	-13	-18.73	Vertical
190.2	-61.17	1.46	15.80	-32.17	-13	-19.17	Horizontal
Test Results for High Channel 711MHz							
1422.0	-70.65	2.62	27.30	-28.99	-13	-15.99	Horizontal
1422.0	-72.51	2.62	27.30	-30.85	-13	-17.85	Vertical
2133.0	-77.23	2.87	27.62	-35.00	-13	-22.00	Vertical
2133.0	-76.63	2.87	27.62	-34.40	-13	-21.40	Horizontal
192.9	-65.28	1.41	15.08	-37.05	-13	-24.05	Vertical
187.6	-66.55	1.44	17.94	-35.43	-13	-22.43	Horizontal

Note: Spurious Emission Level = Spectrum Analyzer Read Value + Cable Loss+ Antenna Factor + 11.74
 . Margin = Spurious Emission Level - Limit
 . Both QPSK and 16QAM has been tested, the worst case is QPSK mode, the report just reported the worst case.

10. FREQUENCY STABILITY

RULE PART(S)

FCC: §2.1055, §22.355, §24.235, §27.54

LIMITS

§22.355 - The carrier frequency shall not depart from the reference frequency in excess of ± 2.5 ppm for mobile stations.

§24.235 - The frequency stability shall be sufficient to ensure that the fundamental emission stays within the authorized frequency block.

TEST PROCEDURE

Use CMW 500 with Frequency Error measurement capability.

- Temp. = -30° to $+50^{\circ}\text{C}$
- Voltage = low voltage, DC 3.27V, Normal, DC 3.85V and High voltage, DC 4.43V.

Frequency Stability vs Temperature:

The EUT is placed inside a temperature chamber. The temperature is set to -30°C and allowed to stabilize. After sufficient soak time, the transmitting frequency error is measured. The temperature is increased by 10 degrees, allowed to stabilize and soak, and then the measurement is repeated. This is repeated until $+50^{\circ}\text{C}$ is reached.

Frequency Stability vs Voltage:

The peak frequency error is recorded (worst-case).

MODES TESTED

- LTE Band 2
LTE Band 4
- LTE Band 5
LTE Band 7
LTE Band 12
LTE Band 17

RESULTS

See the following pages.

10.1 LTE BAND 2

Band 2 QPSK, (20MHz BANDWIDTH RB size 100 RB Offset 0)

Frequency error vs. Voltage

Voltage [Vdc]	Frequency [MHz]	Frequency* Error[Hz]	Frequency Error[ppm]	Limit [ppm]
3.4	1880	27.2	0.014457	2.5
3.85	1880	-2.2	-0.001181	2.5
4.2	1880	-22.6	-0.012011	2.5

Frequency error vs. Temperature

Temperature [° C]	Frequency [MHz]	Frequency* Error[Hz]	Frequency Error[ppm]	Limit [ppm]
Normal (25C)	1880	-1.1	-0.000590	2.5
Extreme (50C)	1880	-21.1	-0.011229	2.5
Extreme (40C)	1880	-8.8	-0.004681	2.5
Extreme (30C)	1880	27.7	0.014729	2.5
Extreme (10C)	1880	33.1	0.017612	2.5
Extreme (0C)	1880	6.8	0.003612	2.5
Extreme (-10C)	1880	9.0	0.004761	2.5
Extreme (-20C)	1880	21.7	0.011564	2.5
Extreme (-30C)	1880	21.3	0.011335	2.5

Band 2 16QAM, (20MHz BANDWIDTH RB size 100 RB Offset 0)

Frequency error vs. Voltage

Voltage [Vdc]	Frequency [MHz]	Frequency* Error[Hz]	Frequency Error[ppm]	Limit [ppm]
3.4	1880	-12.1	-0.006436	2.5
3.85	1880	15.6	0.008277	2.5
4.2	1880	-21.2	-0.011261	2.5

Frequency error vs. Temperature

Temperature [° C]	Frequency [MHz]	Frequency* Error[Hz]	Frequency Error[ppm]	Limit [ppm]
Normal (25C)	1880	19.9	0.010601	2.5
Extreme (50C)	1880	-20.1	-0.010713	2.5
Extreme (40C)	1880	-13.8	-0.007335	2.5
Extreme (30C)	1880	-14.4	-0.007633	2.5
Extreme (10C)	1880	-11.2	-0.005931	2.5
Extreme (0C)	1880	4.4	0.002351	2.5
Extreme (-10C)	1880	-21.3	-0.011309	2.5
Extreme (-20C)	1880	20.4	0.010851	2.5
Extreme (-30C)	1880	-22.2	-0.011814	2.5

*Note: Frequency error measurements were made by using the build-in capability of the Wireless Communication Test Set.

10.2 LTE BAND 4

Band 4 QPSK, (20MHz BANDWIDTH RB size 100 RB Offset 0)

Frequency error vs. Voltage

Voltage [Vdc]	Frequency [MHz]	Frequency* Error[Hz]	Frequency Error[ppm]	Limit [ppm]
3.4	1732.5	-21.6	-0.012462	2.5
3.85	1732.5	-21.7	-0.012496	2.5
4.2	1732.5	14.0	0.008092	2.5

Frequency error vs. Temperature

Temperature [°C]	Frequency [MHz]	Frequency* Error[Hz]	Frequency Error[ppm]	Limit [ppm]
Normal (25C)	1732.5	0.6	0.000317	2.5
Extreme (50C)	1732.5	-21.3	-0.012317	2.5
Extreme (40C)	1732.5	-10.4	-0.005986	2.5
Extreme (30C)	1732.5	2.0	0.001160	2.5
Extreme (10C)	1732.5	-14.7	-0.008502	2.5
Extreme (0C)	1732.5	-19.8	-0.011429	2.5
Extreme (-10C)	1732.5	6.0	0.003440	2.5
Extreme (-20C)	1732.5	-9.4	-0.005437	2.5
Extreme (-30C)	1732.5	22.5	0.012981	2.5

Band 4 16QAM, (20MHz BANDWIDTH RB size 100 RB Offset 0)

Frequency error vs. Voltage

Voltage [Vdc]	Frequency [MHz]	Frequency* Error[Hz]	Frequency Error[ppm]	Limit [ppm]
3.4	1732.5	5.9	0.003394	2.5
3.85	1732.5	11.9	0.006857	2.5
4.2	1732.5	-9.7	-0.005582	2.5

Frequency error vs. Temperature

Temperature [°C]	Frequency [MHz]	Frequency* Error[Hz]	Frequency Error[ppm]	Limit [ppm]
Normal (25C)	1732.5	18.0	0.010361	2.5
Extreme (50C)	1732.5	10.5	0.006084	2.5
Extreme (40C)	1732.5	14.2	0.008190	2.5
Extreme (30C)	1732.5	-16.1	-0.009293	2.5
Extreme (10C)	1732.5	4.8	0.002753	2.5
Extreme (0C)	1732.5	29.6	0.017074	2.5
Extreme (-10C)	1732.5	-0.6	-0.000364	2.5
Extreme (-20C)	1732.5	10.3	0.005916	2.5
Extreme (-30C)	1732.5	11.2	0.006482	2.5

***Note:** Frequency error measurements were made by using the build-in capability of the Wireless Communication Test Set.

10.3 LTE BAND 5

Band 5 QPSK, (10MHz BANDWIDTH RB size 50 RB Offset 0)

Frequency error vs. Voltage

Voltage [Vdc]	Frequency [MHz]	Frequency* Error[Hz]	Frequency Error[ppm]	Limit [ppm]
3.4	836.5	15.3	0.018314	2.5
3.85	836.5	14.0	0.016736	2.5
4.2	836.5	-23.3	-0.027890	2.5

Frequency error vs. Temperature

Temperature [° C]	Frequency [MHz]	Frequency* Error[Hz]	Frequency Error[ppm]	Limit [ppm]
Normal (25C)	836.5	2.8	0.003323	2.5
Extreme (50C)	836.5	16.2	0.019390	2.5
Extreme (40C)	836.5	-11.9	-0.014202	2.5
Extreme (30C)	836.5	-20.1	-0.023993	2.5
Extreme (10C)	836.5	24.2	0.028942	2.5
Extreme (0C)	836.5	-13.9	-0.016665	2.5
Extreme (-10C)	836.5	-1.1	-0.001303	2.5
Extreme (-20C)	836.5	24.8	0.029671	2.5
Extreme (-30C)	836.5	-6.7	-0.008022	2.5

Band 5 16QAM, (10MHz BANDWIDTH RB size 50 RB Offset 0)

Frequency error vs. Voltage

Voltage [Vdc]	Frequency [MHz]	Frequency* Error[Hz]	Frequency Error[ppm]	Limit [ppm]
3.4	836.5	-20.8	-0.024866	2.5
3.85	836.5	1.8	0.002104	2.5
4.2	836.5	-27.1	-0.032373	2.5

Frequency error vs. Temperature

Temperature [° C]	Frequency [MHz]	Frequency* Error[Hz]	Frequency Error[ppm]	Limit [ppm]
Normal (25C)	836.5	10.4	0.012457	2.5
Extreme (50C)	836.5	-17.5	-0.020944	2.5
Extreme (40C)	836.5	-15.2	-0.018219	2.5
Extreme (30C)	836.5	10.1	0.012122	2.5
Extreme (10C)	836.5	21.4	0.025595	2.5
Extreme (0C)	836.5	-14.9	-0.017824	2.5
Extreme (-10C)	836.5	8.9	0.010616	2.5
Extreme (-20C)	836.5	15.4	0.018350	2.5
Extreme (-30C)	836.5	18.9	0.022534	2.5

***Note:** Frequency error measurements were made by using the build-in capability of the Wireless Communication Test Set.

10.4 LTE BAND 7

Band 7 QPSK, (20MHz BANDWIDTH RB size 100 RB Offset 0)

Frequency error vs. Voltage

Voltage [Vdc]	Frequency [MHz]	Frequency* Error[Hz]	Frequency Error[ppm]	Limit [ppm]
3.4	2535	27.7	0.010911	2.5
3.85	2535	7.6	0.003002	2.5
4.2	2535	-9.4	-0.003704	2.5

Frequency error vs. Temperature

Temperature [° C]	Frequency [MHz]	Frequency* Error[Hz]	Frequency Error[ppm]	Limit [ppm]
Normal (25C)	2535	11.6	0.004592	2.5
Extreme (50C)	2535	-16.6	-0.006544	2.5
Extreme (40C)	2535	8.4	0.003294	2.5
Extreme (30C)	2535	13.0	0.005140	2.5
Extreme (10C)	2535	-12.8	-0.005053	2.5
Extreme (0C)	2535	9.2	0.003621	2.5
Extreme (-10C)	2535	-10.5	-0.004142	2.5
Extreme (-20C)	2535	-20.4	-0.008036	2.5
Extreme (-30C)	2535	-26.2	-0.010320	2.5

Band 7 16QAM, (20MHz BANDWIDTH RB size 100 RB Offset 0)

Frequency error vs. Voltage

Voltage [Vdc]	Frequency [MHz]	Frequency* Error[Hz]	Frequency Error[ppm]	Limit [ppm]
3.4	2535	11.9	0.004679	2.5
3.85	2535	32.5	0.012817	2.5
4.2	2535	-9.4	-0.003700	2.5

Frequency error vs. Temperature

Temperature [° C]	Frequency [MHz]	Frequency* Error[Hz]	Frequency Error[ppm]	Limit [ppm]
Normal (25C)	2535	-32.7	-0.012899	2.5
Extreme (50C)	2535	23.3	0.009199	2.5
Extreme (40C)	2535	13.0	0.005108	2.5
Extreme (30C)	2535	18.7	0.007393	2.5
Extreme (10C)	2535	1.2	0.000485	2.5
Extreme (0C)	2535	9.8	0.003874	2.5
Extreme (-10C)	2535	-30.3	-0.011941	2.5
Extreme (-20C)	2535	21.9	0.008635	2.5
Extreme (-30C)	2535	22.8	0.008974	2.5

***Note:** Frequency error measurements were made by using the build-in capability of the Wireless Communication Test Set.

10.5 LTE BAND 12

Band 12 QPSK, (10MHz BANDWIDTH RB size 50 RB Offset 0)

Frequency error vs. Voltage

Voltage [Vdc]	Frequency [MHz]	Frequency* Error[Hz]	Frequency Error[ppm]	Limit [ppm]
3.4	707.5	-22.6	-0.031986	2.5
3.85	707.5	-1.5	-0.002064	2.5
4.2	707.5	18.9	0.026700	2.5

Frequency error vs. Temperature

Temperature [° C]	Frequency [MHz]	Frequency* Error[Hz]	Frequency Error[ppm]	Limit [ppm]
Normal (25C)	707.5	1.2	0.001724	2.5
Extreme (50C)	707.5	7.7	0.010883	2.5
Extreme (40C)	707.5	-15.4	-0.021739	2.5
Extreme (30C)	707.5	10.2	0.014473	2.5
Extreme (10C)	707.5	-28.0	-0.039576	2.5
Extreme (0C)	707.5	-28.2	-0.039816	2.5
Extreme (-10C)	707.5	18.1	0.025512	2.5
Extreme (-20C)	707.5	11.7	0.016551	2.5
Extreme (-30C)	707.5	-13.9	-0.019675	2.5

Band 12 16QAM, (10MHz BANDWIDTH RB size 50 RB Offset 0)

Frequency error vs. Voltage

Voltage [Vdc]	Frequency [MHz]	Frequency* Error[Hz]	Frequency Error[ppm]	Limit [ppm]
3.4	707.5	6.5	0.009131	2.5
3.85	707.5	13.2	0.018601	2.5
4.2	707.5	17.6	0.024834	2.5

Frequency error vs. Temperature

Temperature [° C]	Frequency [MHz]	Frequency* Error[Hz]	Frequency Error[ppm]	Limit [ppm]
Normal (25C)	707.5	-10.6	-0.014968	2.5
Extreme (50C)	707.5	-5.4	-0.007689	2.5
Extreme (40C)	707.5	0.5	0.000735	2.5
Extreme (30C)	707.5	9.2	0.012961	2.5
Extreme (10C)	707.5	15.2	0.021541	2.5
Extreme (0C)	707.5	13.2	0.018700	2.5
Extreme (-10C)	707.5	23.3	0.032862	2.5
Extreme (-20C)	707.5	-10.1	-0.014276	2.5
Extreme (-30C)	707.5	-30.9	-0.043689	2.5

***Note:** Frequency error measurements were made by using the build-in capability of the Wireless Communication Test Set.

10.6 LTE BAND 17

Band 17 QPSK, (10MHz BANDWIDTH RB size 50 RB Offset 0)

Frequency error vs. Voltage

Voltage [Vdc]	Frequency [MHz]	Frequency* Error[Hz]	Frequency Error[ppm]	Limit [ppm]
3.4	710.0	1.7	0.002380	2.5
3.85	710.0	-6.4	-0.009042	2.5
4.2	710.0	0.1	0.000127	2.5

Frequency error vs. Temperature

Temperature [° C]	Frequency [MHz]	Frequency* Error[Hz]	Frequency Error[ppm]	Limit [ppm]
Normal (25C)	710.0	-14.7	-0.020761	2.5
Extreme (50C)	710.0	8.2	0.011521	2.5
Extreme (40C)	710.0	8.8	0.012324	2.5
Extreme (30C)	710.0	-23.4	-0.032930	2.5
Extreme (10C)	710.0	-16.6	-0.023352	2.5
Extreme (0C)	710.0	12.9	0.018169	2.5
Extreme (-10C)	710.0	3.3	0.004620	2.5
Extreme (-20C)	710.0	13.2	0.018535	2.5
Extreme (-30C)	710.0	19.6	0.027662	2.5

Band 17 16QAM, (10MHz BANDWIDTH RB size 50 RB Offset 0)

Frequency error vs. Voltage

Voltage [Vdc]	Frequency [MHz]	Frequency* Error[Hz]	Frequency Error[ppm]	Limit [ppm]
3.4	710.0	32.7	0.046085	2.5
3.85	710.0	-3.0	-0.004211	2.5
4.2	710.0	12.3	0.017268	2.5

Frequency error vs. Temperature

Temperature [° C]	Frequency [MHz]	Frequency* Error[Hz]	Frequency Error[ppm]	Limit [ppm]
Normal (25C)	710.0	-3.9	-0.005493	2.5
Extreme (50C)	710.0	-18.2	-0.025662	2.5
Extreme (40C)	710.0	8.3	0.011620	2.5
Extreme (30C)	710.0	-3.4	-0.004845	2.5
Extreme (10C)	710.0	3.0	0.004268	2.5
Extreme (0C)	710.0	31.7	0.044690	2.5
Extreme (-10C)	710.0	9.1	0.012746	2.5
Extreme (-20C)	710.0	10.1	0.014155	2.5
Extreme (-30C)	710.0	-17.7	-0.024930	2.5

***Note:** Frequency error measurements were made by using the build-in capability of the Wireless Communication Test Set.

11. Peak-to-Average Ratio

11.1 Description of the PAR Measurement

The peak-to-average ratio (PAR) of the transmission may not exceed 13 dB.

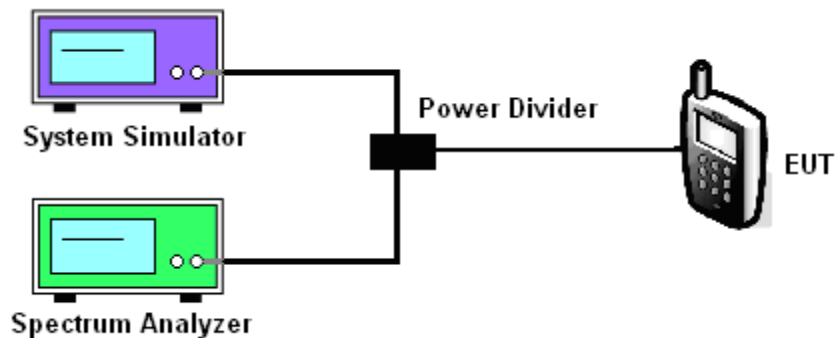
11.2 Measuring Instruments

See list of measuring instruments of this test report.

11.3 Test Procedures

1. The EUT was connected to Spectrum Analyzer and Base Station via power divider.
2. The RF output of EUT was connected to the spectrum analyzer by RF cable and attenuator. The path loss was compensated to the results for each measurement.
3. For LTE operating modes:
 - a. Set the CCDF (Complementary Cumulative Distribution Function) option in spectrum analyzer.
 - b. The highest RF powers were measured and recorded the maximum PAPR level associated with a probability of 0.1 %.

11.4 Test Setup



MODES TESTED

- LTE Band 2/4/5/7/12/17
-

Test data reference attachment.

----END OF REPORT----