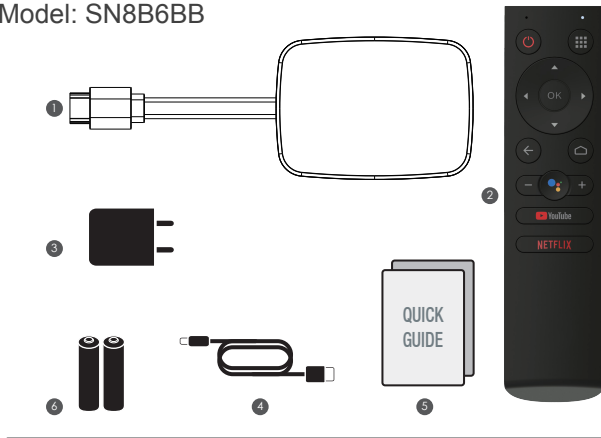


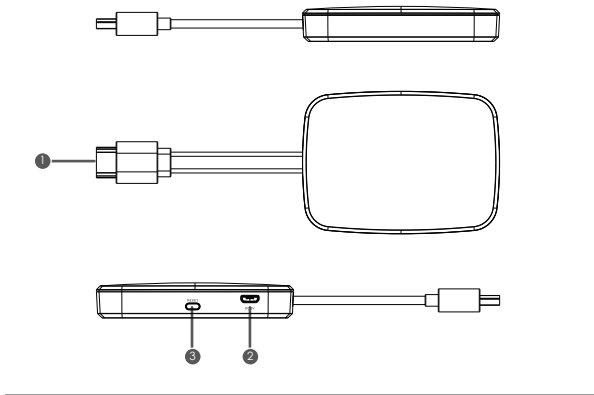
## QUICK GUIDE

Model: SN8B6BB



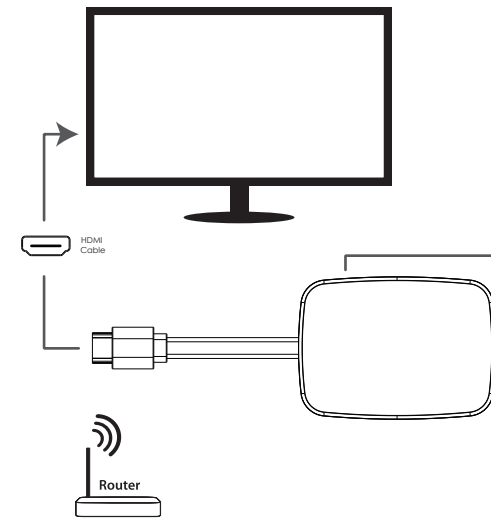
- 1 SN8B6BB
- 2 Remote Control
- 3 Power Adapter
- 4 USB Cable
- 5 Quick Guide
- 6 Battery

## DEVICE INFORMATION

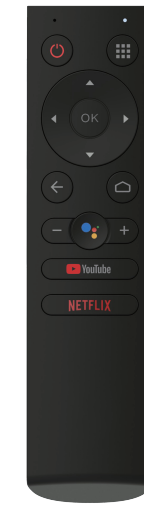


- 1 HDMI Output
- 2 DC Power Input
- 3 Reset

## SETUP DIAGRAM



## REMOTE CONTROL



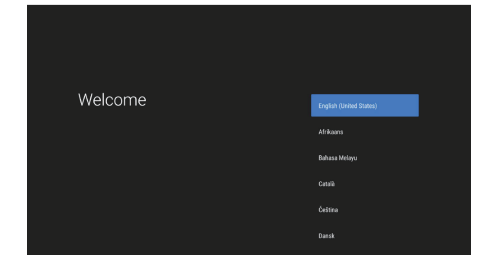
Google Assistant

With the Google Assistant built in, you can quickly access entertainment, get answers and control devices around your home. Find the latest blockbuster, check the score of the big game or dim the lights. Just press the mic button on your remote to get started.

## ANDROID TV

### Complete the on-screen setup

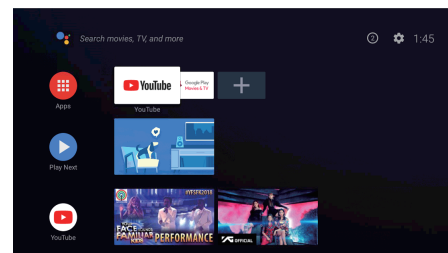
Follow the on-screen instructions using your remote to navigate through the setup process.



## ANDROID TV

### Effortless Entertainment

All the content you love, exactly how you want it. Android TV organizes and simplifies all of your favorite content into one easy to view and easy to search experience so you can easily find your favorite shows and movies from every service. Welcome to a smarter way to watch.



## SPECIFICATION

<b>Hardware</b>	
Chipset	Amlogic S905X
RAM	2GB
Flash	eMMC 8GB(16GB Optional)
<b>Video</b>	
Video Decoding	VP9 Profile-2 up to 4Kx2K@60fps H.265 HEVC MP-10@L5.1 up to 4Kx2K@30fps H.264 AVC HP@L5.1 up to 4Kx2K@30fps H.264 MVC up to 1080P @60fps MPEG-4 ASP@L5 up to 1080P@60fps WMV/VC-1 SP/MP/AP up to 1080P@60fps AVS-P1 6(AVS+) /AVS-P2 JiZhun Profile up to 1080P@60fps RealVideo 8/9/10 up to 1080P@60fps WebM up to VGA
Video File Format	Support *.mkv, *.wmv, *.mpg, *.mpeg, *.dat, *.avi, *.mov, *.iso, *.mp4, *.rm, *.jpg, *.bmp, *.gif etc...
Video Output	HDMI 2.0A, HDCP2.2
Aspect Ratio	Auto, Full screen
Video Resolution	Video resolution 480i/p, 576i/p, 720p, 1080i/p and 4Kx2K
<b>Power</b>	
DC Input Range	5V/2.0A
Power Consumption	Maximum 10 W

## SAFETY INFORMATION



**CAUTION!**

**NOTICE:** To prevent fire and electric shock, do not expose this receiver to rain or moisture. In order to avoid any possible risk of electric shock, never attempt to open the unit. In case of the unit breaking down, repair of the unit should be carried out by qualified technicians. No part of this unit should be repaired by users.

### WARNING!

- Presence of live parts inside the unit! Do not open. Risk of electric shock! No part should be repaired by users.
- Place the receiver on a flat, firm and stable surface. Do not put it on a carpet or rug.
- Place the receiver in a well-ventilated location to prevent accumulation of internal heat.
- Protect the receiver from high temperatures, humidity, water and dust.
- Do not place any objects that might damage your unit near it (e.g. liquid filled objects or candles).

## FCC Statement

This device complies with Part 15 of the FCC Rules. Operation is subject to the following two conditions: (1) this device may not cause harmful interference, and (2) this device must accept any interference received, including interference that may cause undesired operation. changes or modifications not expressly approved by the party responsible for compliance could void the user's authority to operate the equipment.

Changes or modifications to this unit not expressly approved by the party responsible for compliance could void the user's authority to operate the equipment.

NOTE: This equipment has been tested and found to comply with the limits for a Class B digital device, pursuant to Part 15 of the FCC Rules. These limits are designed to provide reasonable protection against harmful interference in a residential installation. This equipment generates, uses and can radiate radio frequency energy and, if not installed and used in accordance with the instructions, may cause harmful interference to radio communications. However, there is no guarantee that interference will not occur in a particular installation. If this equipment does cause harmful interference to radio or television reception, which can be determined by turning the equipment off and on, the user is encouraged to try to correct the interference by one or more of the following measures:  
-- Reorient or relocate the receiving antenna.

## FCC Statement

- Increase the separation between the equipment and receiver.
- Connect the equipment into an outlet on a circuit different from that to which the receiver is connected.
- Consult the dealer or an experienced radio/TV technician for help.

This device and its antenna(s) must not be co-located or operation in conjunction with any other antenna or transmitter.

To maintain compliance with FCC's RF Exposure guidelines, This equipment should be installed and operated with minimum distance of 20cm from your body.

The NII band I indoor use only.