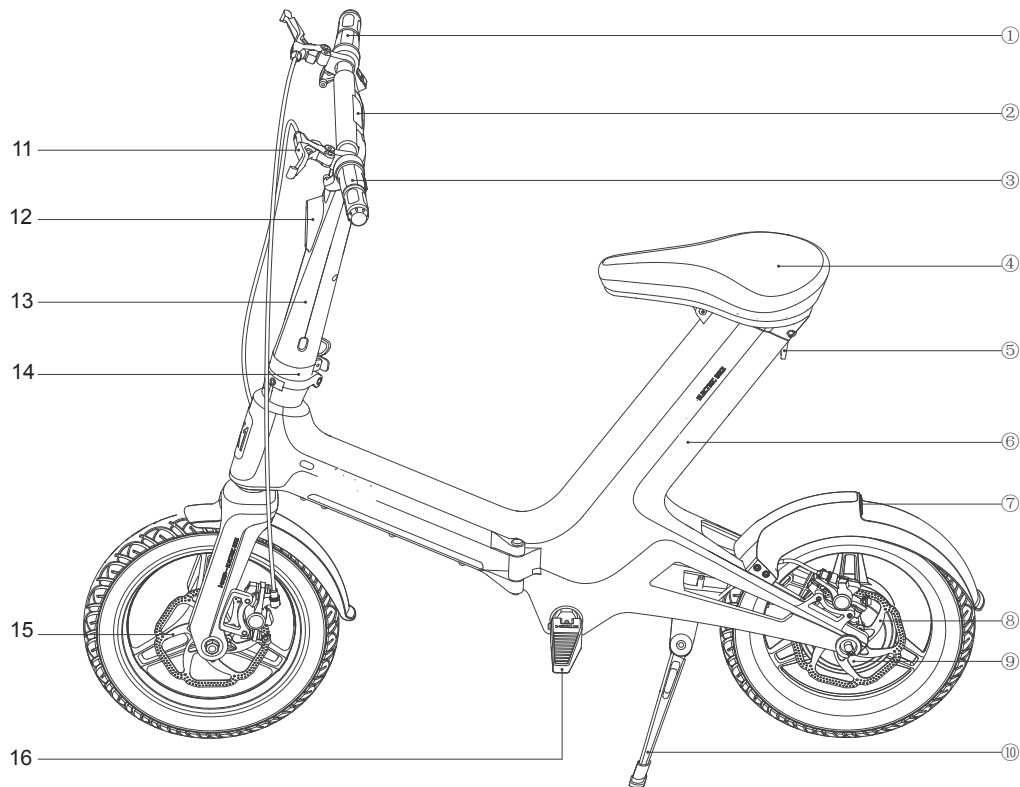


# User Manual

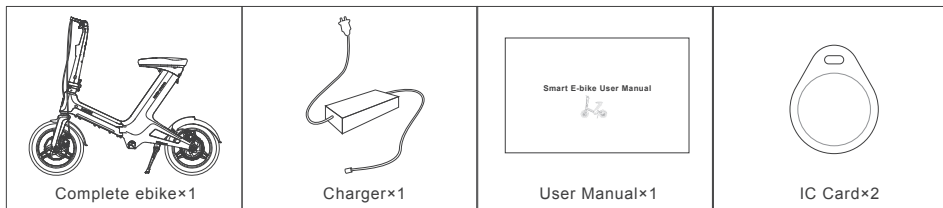


# Product Schema



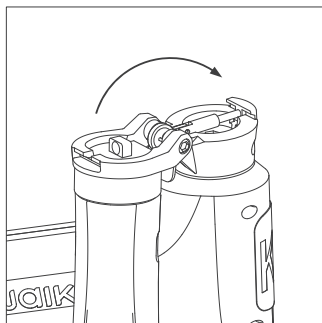
- ① Right Handle
- ② Display Panel
- ③ Left Handle
- ④ Seat
- ⑤ Small Lock Catch
- ⑥ Seat Post
- ⑦ Brake Light
- ⑧ Rear Wheel Disc Brakes
- ⑨ Motor
- ⑩ Kickstand
- 11. Brake Lever
- 12. Front LED light
- 13. Stem
- 14. Stem Folding Clasp
- 15. Front Wheel Disc Brakes
- 16. Pedal

## Packing List

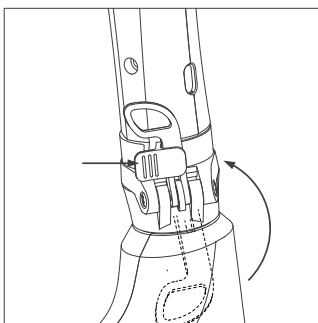


## Quick Start

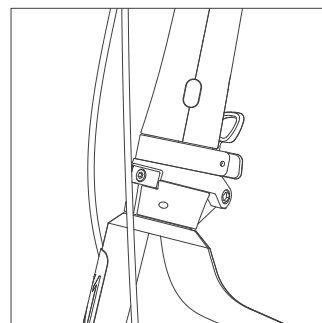
### 1. Unfold ebike head



Hold the ebike, flip over the stem to connect to ebike body seamlessly

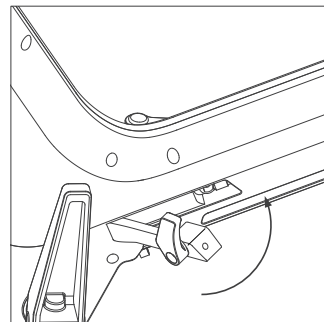
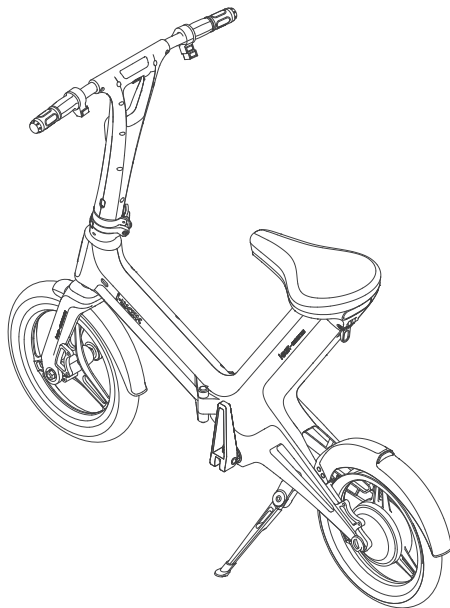
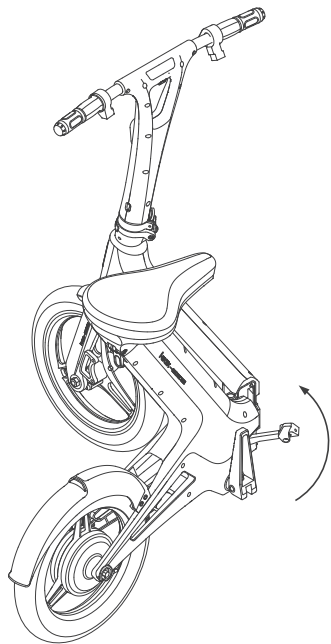


Spin the folding clasp and lock the stem tightly

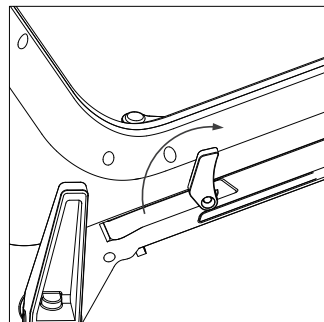


Check whether it is firm after locking

## 2. Unfold ebike body

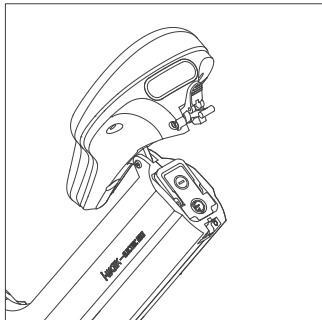


Spin the folding clasp to fix the ebike body

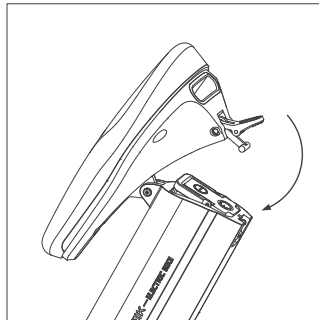


Check whether it is firm after locking

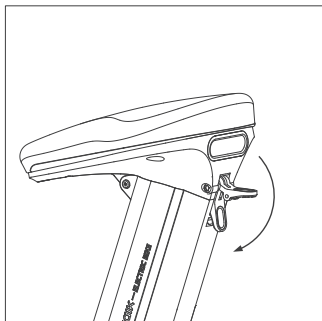
### 3. Install Seat



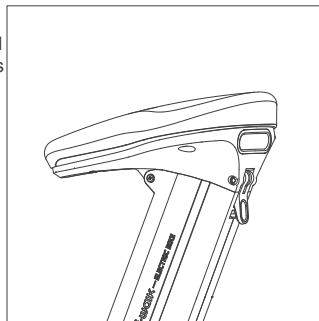
1.  
Firstly check whether battery is installed correct. If not, it will influence following steps.



2.  
As the photo shows, close the seat and make sure that inside small lock is in the right place.

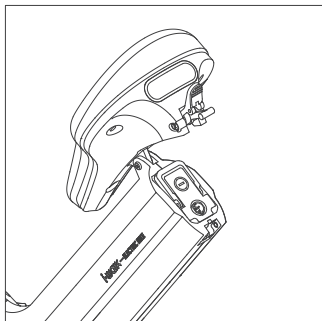


3.  
As the photo shows, lock downward the seat clasp to ensure a seamless connection to the seat post.



4.  
Check whether seat is firm after locking. Make sure that there is no slackness and wobbling.

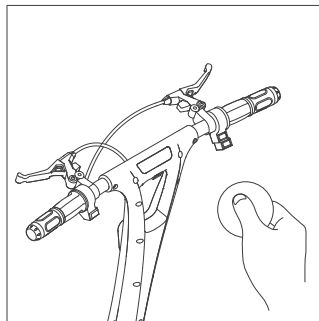
## 4. Power On



### Battery Power Charging

For the first time using, it need charging to activate battery.

Don't charge battery over 6 hours.



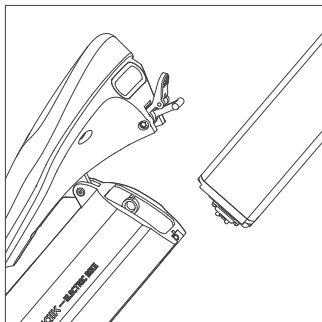
### Power On

Press the power button to turn on ebike.

(If it is in very low battery quantity, battery will go to sleeping mode. Please charge for a while, then turn on)

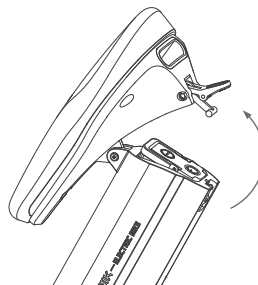
After power on, use IC card close to display panel to unlock the ebike before riding.

## 5. Battery



### Take Out Battery

If don't use the ebike for a long time, please take out the battery and store it in a cool and dry place.

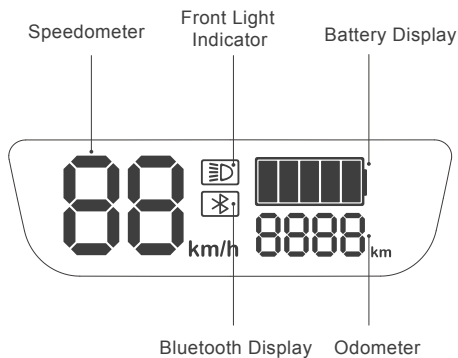


### Install Battery

When use again, please install the battery according to the above steps.

Please check battery indicator light before using.

## Normal Operation



Android



iOS

After ebike activated, use APP bind to your mobile phone in case of theft.

## Power on/off

Press the power button to turn on ebike.

After power on, use IC card close to display panel to unlock the ebike before riding.

Press the power button again, it can turn off the ebike.

(Or use APP to lock & unlock ebike after connecting to mobile phone APP)

**Speedometer:** for displaying real time ebike riding speed.

**Odometer:** for displaying ebike's current total riding distance.

**Front light indicator:** for displaying front LED light is on or off. When icon is on, it indicates that front LED light is on. No icon indicates that light is off. (It can also use APP to turn on the front LED light. )

**Bluetooth Display:** When Bluetooth icon is on, it indicates that Bluetooth is connected. If there don't have a Bluetooth icon, it means no disconnection.

**Battery Display:** Display battery current left power quantity in 5 bars. Each power bar means 20% of full battery quantity.

**Riding Mode:** When connected to APP, it can switch riding mode of the ebike. There have 3 modes: Comfort, Normal, Sports. Speed is ascending according to modes.

## APP Connecting

1. Scan the left QR-Code to download APP info your mobile phone.
2. Open mobile phone Bluetooth to search nearby device.
3. Activate your ebike and binding to your mobile phone.
4. Get know more user operating guide via APP.

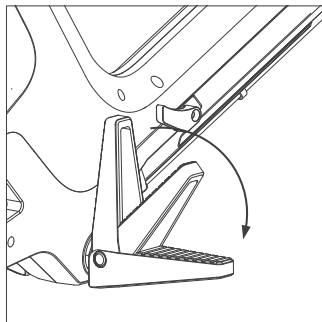
It use the low power consumption BLE Bluetooth 4.0 technology to realize connection & data transportation to mobile phone.

At the same time, it can also connect Bluetooth music to realize real time music play via music APP

(Support iPone 4s, iPad3 and later Apple mobile device.)

(Support above Android 4.3 mobile phone and which support Bluetooth 4.0.)

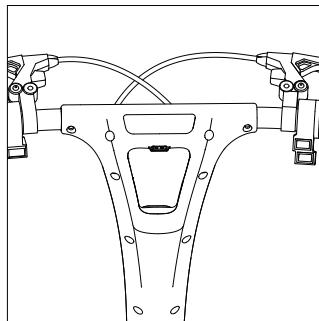
## Other Operation



### Unfold/Fold Pedal

When begin to ride, please unfold pedal as the left photo shows.

Fold back when finished riding.



### USB Charging Port

USB charging port is located under the display panel.  
It can be used for charging mobile phone.

## Hazardous Substance Name and Content in Product

Product Material	Hazardous Substance						This form is compiled according to SJ/T 1136  ○ Indicate this kind of hazardous substance content in this part is below the limitation requirement in stardard GB/T 26572.  × Indicate this kind of hazardous substance content in this part is beyond the limitation requirement in stardard GB/T 26572.
	Lead (Pb)	Mercury (Hg)	Cadmium (Cd)	Hexavalent Chromium (Cr(VI))	PBB (PBB)	PBDE (PBDE)	
Metal	○	○	○	○	○	○	
Pait	○	○	○	○	○	○	
Plastic	○	○	○	○	○	○	
Rubber	○	○	○	○	○	○	



## Product Specification

Model	Ebike-U2	Ebike-U2(L)
Frame Material	Aviation Magnesium Alloy	Aviation Magnesium Alloy
Net Weight	20Kg	20Kg
Unfolding size	1280x990x510mm	1280x990x510mm
Folding size	880*500*700mm	880*500*700mm
Max.load	110Kg	110Kg
Max.Speed	25Km/h	25Km/h
Mileage	35±5Km	50±5Km
Battery Capacity	LG lithium battery(7.8Ah)	LG lithium battery(10.5Ah)
Rated Power	350W	350W
Rated Current	6A	6A
Climbing Angle	≤15 degrees	≤15 degrees
Wheel Size	14 inch	14 inch
Brake System	Front & Rear Disc Brakes	Front & Rear Disc Brakes
GPS Positioning	--	--
Smart APP	Support	Support
Charging Hours	About 3-4 hours	About 5 hours
Wireless Connection	Bluetooth 4.0 BLE	Bluetooth 4.0 BLE
USB Port	USB Phone Charge port	USB Phone Charge port

## Notice:

### Battery and Charging:

1. Keep battery dry. Charging in 0~45°C. Discharging in -20~60°C  
If don't use for a long time, suggested storage in -5~35°C
2. It is prohibited to put the battery in acid and alkaline liquid.  
Avoid rain, and keep away from fire source, heat source and high temperature environment.
3. It is prohibited to reverse the battery's positive & negative poles.  
Destroying, disassembling or short-circuiting the battery are all prohibited.
4. Please use original charger. Keep Charging hour below 6 hours and charging current below 6A. Users need charge battery according to the user guide.
5. Charging should be carried out in a ventilated environment, and it is prohibited to charge under confined space or hot sun.
6. Please keep battery in a cool and dry place if won't use it for a long time.  
And charge battery in every two months.
7. When the battery's green light is on, please cut off power in time.  
The charger is not allowed be connected to the AC power for a long time if don't charging.
8. When begin to charge, firstly plug battery, then supply AC power.  
When stop charging, firstly cut off AC power, then unplug battery.
9. If indicator light on battery is abnormal, charger occurring odor or overheating during charging, please stop charging immediately.  
And repair or replace the charger as soon as possible.
10. In the using and storage of the charger, pay attention to avoid objects entering, especially to avoid running water or other liquid, in case of the internal short circuit of the charger.
11. The charger should not be carried together with the ebike.  
If must be carried, it should be placed in shock absorption condition in the tool box.
12. Do not disassemble or replace the parts inside the charger.

### Riding:

1. Please use and ride the ebike after reading user manual carefully and getting know the product performance.  
Don't lead this ebike to whom don't know how to use and ride.
2. Please wear safety helmet and obey traffic rules when riding this ebike.
3. Please check whether the tire pressure is normal before riding.  
Check whether the battery have power and whether there is any noise or loose inside the ebike.
4. When riding in downhill or road conditions are not good, please slow down or get out and carry the ebike.

### Brake:

1. Please check whether the brakes are workable before riding.
2. Please pinch the rear brake firstly when need braking.
3. Pay attention to the brake rubber pad and please replace it in time if 1/3 of the pad have worn.
4. It should increase the braking distance if in snowy or rainy weather. Slow down and brake in time.

### Storage & Maintenance:

1. Store your ebike in a place where there is no direct sunlight and no rain when finish your riding.
2. Regularly check the ebike screws and tighten the places where need be tighten.
3. If ebike surface have stains, please use soft cloth dips in water to wipe.  
Do not use alcohol, gasoline or other corrosive and volatile chemical solvent to wash, otherwise it will seriously damage the surface of the ebike body or internal structure of it.

# Warranty Policy

## Warranty Coverage

Types	Warranty Content	Warranty Period	Starting Time
Main body	Ebike Frame, Motor	__ Months	Starting from the day of activation
Intelligent Hardware	Controller	__ Months	Starting from the day of activation
Other Parts	Battery, Charger	__ Months	Starting from the day of activation

## Non-warranty Coverage

1. Expiration of the warranty period.
2. Invoices are missing, damaged or altered.
3. Damage caused by human causes.
4. Damage caused by force majeure.
5. Using this ebike without the company's authorization for maintenance or personal disassembling, misuse, collision, accident or modification.
6. Damage due to failure to comply with the this user manual, improper maintenance and adjustment.
7. Damage or function failure of parts caused by exceeding the range of using, such as overloading, extreme sports, riding obstacles (including but not limited to riding big steps, falls, etc.).
8. If the product is used for commercial purposes, it is not guaranteed.

**FCC Caution:**

This device complies with part 15 of the FCC Rules. Operation is subject to the following two conditions: (1) This device may not cause harmful interference, and (2) this device must accept any interference received, including interference that may cause undesired operation.

Any Changes or modifications not expressly approved by the party responsible for compliance could void the user's authority to operate the equipment.

**Note:** This equipment has been tested and found to comply with the limits for a Class B digital device, pursuant to part 15 of the FCC Rules. These limits are designed to provide reasonable protection against harmful interference in a residential installation. This equipment generates uses and can radiate radio frequency energy and, if not installed and used in accordance with the instructions, may cause harmful interference to radio communications. However, there is no guarantee that interference will not occur in a particular installation. If this equipment does cause harmful interference to radio or television reception, which can be determined by turning the equipment off and on, the user is encouraged to try to correct the interference by one or more of the following measures:

- Reorient or relocate the receiving antenna.
- Increase the separation between the equipment and receiver.
- Connect the equipment into an outlet on a circuit different from that to which the receiver is connected.
- Consult the dealer or an experienced radio/TV technician for help.



**Ride your way**