

# SYLVANIA

## PDQ CUT CASE 2PK TWS LED BLUETOOTH SPEAKER Model No.: SP-020



**Please read these instructions thoroughly  
before use and retain for future reference**

SYLVANIA is a registered trademark of OSRAM Sylvania Inc. used under license.

### DEAR CUSTOMER

In order to achieve the best performance of your product, please read this instruction manual carefully before using, and keep it for future reference.

### NOTE

This unit may be submitted to changes in specifications, characteristics and/or operation without prior notice to the user, in order to continue improving and developing its technology.

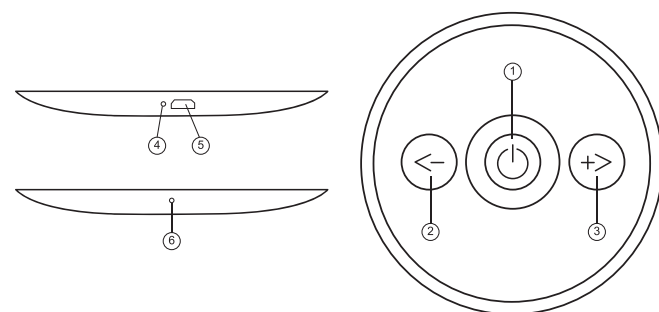
### Packing list

Upon opening the package, please check for the following items:  
2 x Speakers  
2 x USB charging cable  
1 x Instruction manual

### Specification

Power output: 3W  
Input: DC 5V  
Battery capacity: 300mAh  
Transmission range: 10m  
Dimension: (WXHXD): 75 x 75 x50 mm  
Charging time: 1.5 hrs

### Product overview



1

1. On/Off/Play/Pause/Answer calls/ FM Radio
2. Volume down/Previous song
3. Volume up/Next song
4. BT/Charging indicator light
5. Charging jack
6. Mic

### Indicator Status

Type	Indicator	State
BT Indicator	Rapid flashing blue	Ready to connect
	Steady-on blue	Connected
Charging Indicator	Red	Charging
	Light off	Fully charged

### ON/OFF

Hold the power button for about 3 seconds to turn on/off the speaker.

### Pairing and Bluetooth Connection

1. Turn on both speakers at the same time. Both speakers will connect together immediately.
2. Turn on the Bluetooth function of your devices and select Bluetooth name 'Sylvania SP926'. And tap to connect it.
3. Now you can play the music with it.

### TWS Connection

1. If your both speakers can't be connected together. Turn on both speakers, do not connect these speakers with any Bluetooth devices.
2. Press the volume up button for treble times that will go into pairing mode, it will have a tone 'du' coming out. It will connect together after a few seconds and will have a tone 'ding-dong' coming out.
3. Turn on the Bluetooth function of your devices and select Bluetooth name 'Sylvania SP926'. And tap to connect it.
3. Now you can play the music with it

2

### Function

1. Short press "Play/Pause/Phone" key to pause or play/pause music and to answer a call. A second short press second will resume playing music again.
2. Short press "vol-/Previous song", the speaker will play the previous song
3. Short press "Vol+/Next song", the speaker will skip to the next song
4. long press "vol-/Previous song", reduces speaker volume
5. long press "Vol+/Next song" increase speaker volume and you will hear "maximum volume" when maximum volume is reached

### Hands free phone call operation

1. When a phone call is incoming, double press "Play/Pause/Phone" key to reject the call.
2. When on an active call, short press "Play/Pause/Phone" to hang up
3. When the Speaker is in standby/music mode, double press the "Play/Pause/Phone" key to redial the last call.

### FM Radio

1. Press the Power button treble times quickly to switch to FM modes
  2. Short press the Power button to search all stations and save the preset stations.
  3. Press the Volume up / down button to switch to next station.
- During the FM mode, if the sensitivity is not good, you can plug an USB cable as an antenna.

### Charging

Connect the charging cable to Micro USB jack and insert the other end to the USB port of 5V charger. A red light will illuminate when charging and will switch off when finished charging.

3

### Warm tips

1. In order to avoid damage to your hearing and prolong the use-life of speakers, please do not listen to music for long time in high volume environment.
2. When a fault occurs, please immediately turn off the power switch unplug the USB plug, prevent speaker and other components damaged.
3. Over use of battery will affect the Bluetooth distance and use-life, please charge in time.

### FCC STATEMENT :

This device complies with Part 15 of the FCC Rules. Operation is subject to the following two conditions:

- (1) This device may not cause harmful interference
- (2) This device must accept any interference received, including interference that may cause undesired operation.

Warning: Changes or modifications not expressly approved by the party responsible for compliance could void the user's authority to operate the equipment.

NOTE: This equipment has been tested and found to comply with the limits for a Class B digital device, pursuant to Part 15 of the FCC Rules. These limits are designed to provide reasonable protection against harmful interference in a residential installation. This equipment generates uses and can radiate radio frequency energy and, if not installed and used in accordance with the instructions, may cause harmful interference to radio communications. However, there is no guarantee that interference will not occur in a particular installation. If this equipment does cause harmful interference to radio or television reception, which can be determined by turning the equipment off and on, the user is encouraged to try to correct the interference by one or more of the following measures:

- Reorient or relocate the receiving antenna.
- Increase the separation between the equipment and receiver.
- Connect the equipment into an outlet on a circuit different from that to which the receiver is connected.
- Consult the dealer or an experienced radio/TV technician for help.

4

For service assistance and product information, please call: 1-800-968-9853.  
Curtis International Ltd.  
7045 BECKETT DRIVE, UNIT 15, MISSISSAUGA, ON, L5S 2A3  
www.curtisint.com

To make a warranty claim, do not return this product to the store. Please email support@curtiscs.com or call 1-800-968-9853

### 90 day Warranty

This product is warranted to be free from defects in material and workmanship for a period of ninety (90) days from the date of original purchase. During this period, your exclusive remedy is repair or replacement of this product or component found to be defective, at our option; however, you are responsible for all costs associated with returning the product to us. If the product or component is no longer available, we will replace with a similar one of equal or greater value. Prior to a replacement being sent, the product must be rendered inoperable or returned to us.

This warranty does not cover glass, filters, wear from normal use, use not in conformity with the printed directions., or damage to the product resulting from accident, alteration, abuse, or misuse. This warranty extends only to the original consumer purchaser or gift recipient. Keep the original sales receipt, as proof of purchase is required to make a warranty claim. This warranty is void if the product is used for other than single-family household use or subjected to any voltage and waveform other than as on the specified rating on the label (e.g., 120V~60Hz).

We exclude all claims for special, incidental, and consequential damages caused by breach of express or implied warranty. All liability is limited to the amount of the purchase price. Every implied warranty, including any statutory warranty or condition of merchantability or fitness for a particular purpose, is disclaimed except to the extent prohibited by law, in which case such warranty or condition is limited to the duration of this written warranty. This warranty gives you specific legal rights. You may have other legal rights that vary depending on where you live. Some states or provinces do not allow limitations on implied warranties or special, incidental, or consequential damages, so the foregoing limitations may not apply to you.

For faster service, locate the model, type, and serial numbers on your appliance.

### RF warning statement:

The device has been evaluated to meet general RF exposure requirement. The device can be used in portable exposure condition without restriction.