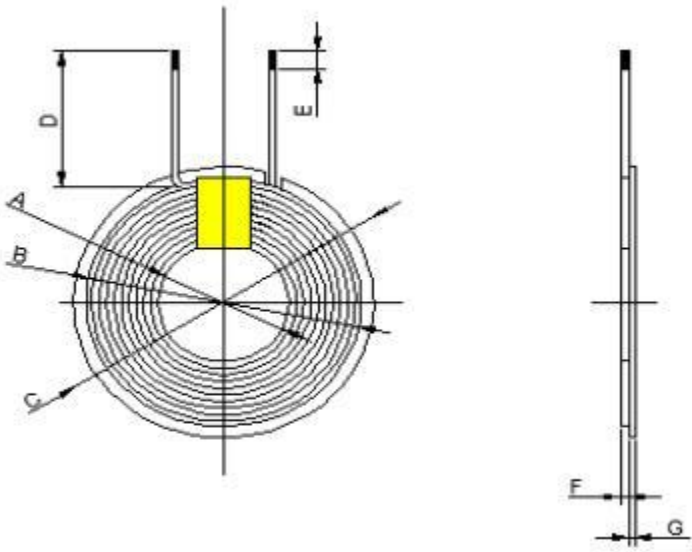


Shenzhen Guan Jiixin Technology Co., LTD specification

Document number	C901 3W coil	Product name	Wireless charge transmitting coil module			
Size	$\Phi 43.5 * \Phi 4 * H2.5$	Bonding mode	Acetone self-adhesive			
					A	15 ± 0.5
					B	20 ± 0.5
					C	25 ± 0.5
					D	15 ± 2
					E	3 ± 1
					F	0
					G	2.8 ± 0.1
					H	2.8 ± 0.1
					MM	
					wire	0.07*100股
Number of turns	10 Ts					
Diskette size	$\Phi 25 * \Phi 5 * 2.8$	L	$6.5 \mu H \pm 10\%$			
Coil size	$\Phi 25$	Test frequency	100KHZ	Test side	Series test	