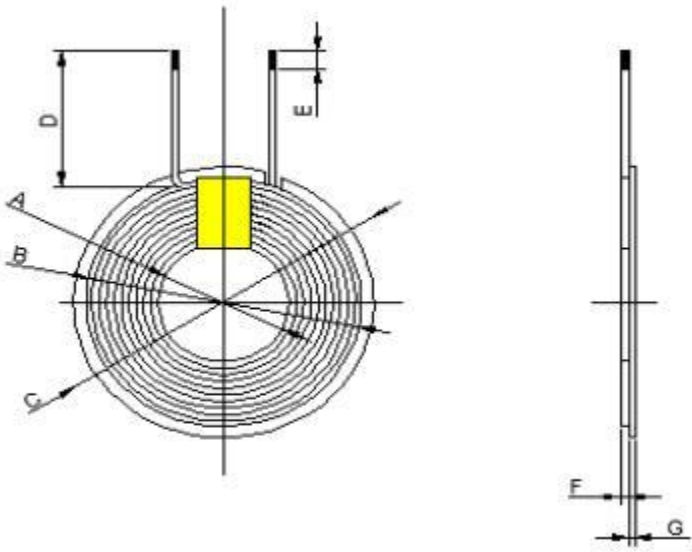


Shenzhen Guan Jiixin Technology Co., LTD specification

Document number	315 15WCoil A11	Product name	Wireless charge transmitting coil module			
Size	$\Phi 43.5 * \Phi 4 * H2.5$	Bonding mode	Acetone self-adhesive			
					A	20.5 ± 0.5
					B	38 ± 0.5
					C	43.5 ± 0.5
					D	200 ± 2
					E	3 ± 1
					F	1.17 ± 0.1
					G	0.8 ± 0.1
					H	2.5 ± 0.1
					MM	
					wire	0.07*105股
Number of turns	10 Ts					
Diskette size	$\Phi 43.5 * \Phi 5 * 0.8$	L	$6.5 \mu H \pm 10\%$			
Coil size	$\Phi 40 * 20.5$ 式	Test frequency	100KHZ	Test side	Series test	