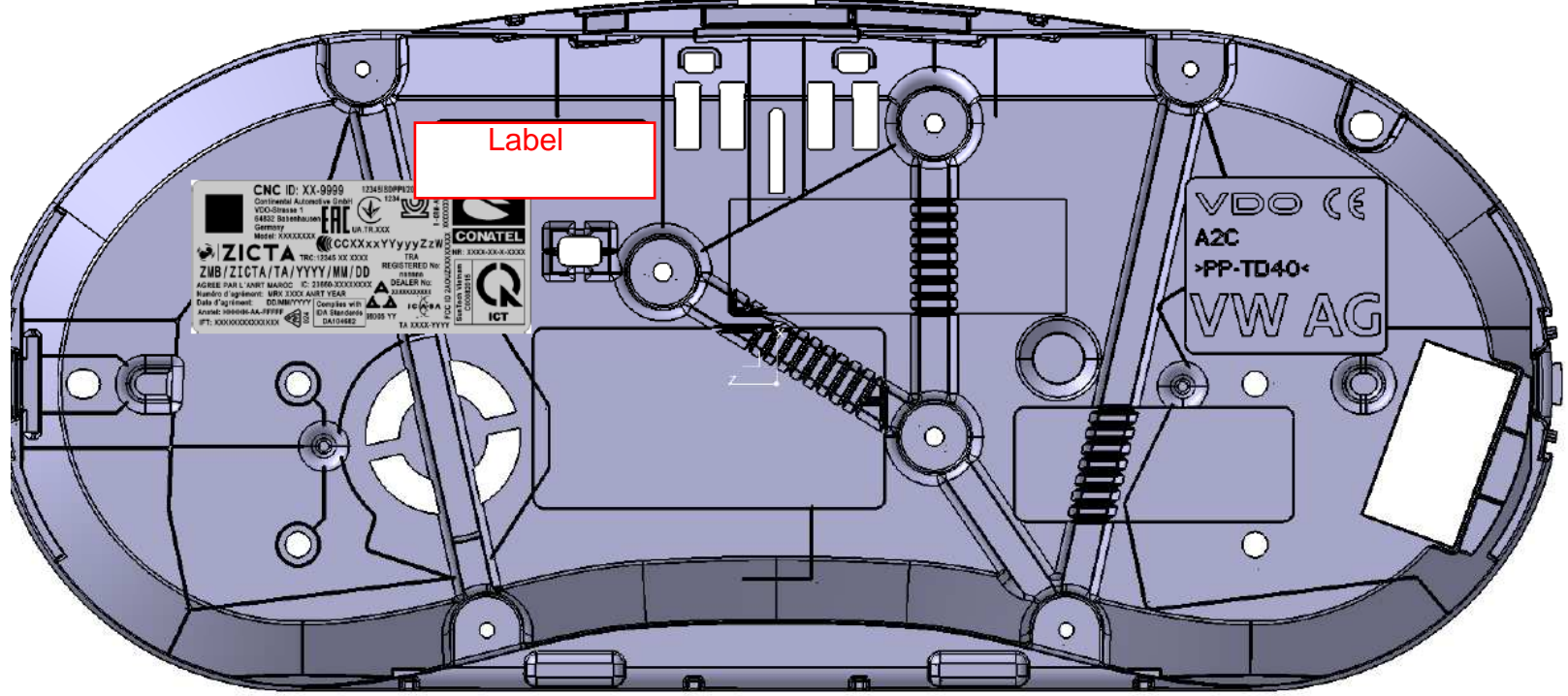


planned position for radio homologation label

Model: 18020533

[MQB\_MY19\_3]

Alte Bodenplatte





CNC ID: XX-9999

Continental Automotive GmbH  
VDO Strasse 1  
64832 Babenhausen  
Germany  
Model: XXXXXXXX

12345/SDPPI/2011



UA.TR.XXX



1234

R-CRM-ABC-XXXXXXX



CONATEL

NR: XXXX-XX-X-XXXX



ZICTA

TRC:12345 XX XXXX

CCXXxxYYyyyZzW

TRA

REGISTERED No:

nnnnnn

DEALER No:

xxxxxxxxxxx

ZMB/ZICTA/TA/YYYY/MM/DD

AGREE PAR L'ANRT MAROC IC: 23650-XXXXXXXXX

Numéro d'agrément: MRX XXXX ANRT YEAR

Date d'agrément: DD/MM/YYYY

Anatel: HHHH-AA-FFFF

IFT: XXXXXXXXXXXXX

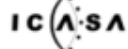


024

Complies with  
IDA Standards  
DA104682



II005 YY



TA XXXX-YYYY

FCC ID 2AOUZXXXXXXX

SunTech Vietnam  
C00082015



ICT