

***NEXT BASE***

**iN-CAR CAM™**

# Instruction Manual



**312GW** | **Deluxe**

1080p High Definition Dash Cam with GPS and WiFi



## INTRODUCTION TO USING AN IN-CAR CAM

The iN-CAR CAM range of dash cams have been designed specifically with ease of use in mind, it is recommended NOT to change the default settings, which have been carefully selected to give the best performance for day to day use.

Basic operation.

The iN-CAR CAM is set to record video, in files of just 3 minutes in length. This means that each video file is a manageable size should you need to download and send to your insurance company. Eventually your MicroSD card will fill up with video files but don't worry, the camera automatically deletes the oldest file to make space for new recordings. This way you never run out of space and have plenty of driving historical evidence saved.

Typically a 16Gb card will store the last 2 hours of driving footage.

The Time and Date are automatically set upon the camera from satellite data, however it will always set Greenwich Mean Time (GMT). For summer months where the clocks are brought forward or for driving in other countries, adjust the time in the General Settings Menu (Timezone / DST) to account for the time difference from GMT by adding or subtracting 1 hour etc, if required.

There are 3 modes of camera operation - Video, Photo and Playback.

Video Mode: The default mode when the camera is turned on, for video recording.

Photo Mode: Allows you to take still photographs.

Playback mode: Allows you to view recorded video or photographs upon the dash cam LCD screen. Press the MODE button on the iN-CAR CAM to select required mode.

Automatic Start / Stop Technology. The iN-CAR CAM senses power supplied to the cigarette lighter socket as soon as the vehicle ignition is turned on and will start to record automatically. When the ignition is turned off, the iN-CAR CAM will perform an automatic shutdown process.

### 1. Tips for capturing best video footage:

- 1.1 Position the iN-CAR CAM in the centre of the windscreen and ideally behind the rear view mirror so it is not a distraction to the driver.
- 1.2 Reduce the amount of sky in the picture, by angling the view of the camera towards the road. Too much sky will make the road appear darker due to the automatic exposure compensation.
- 1.3 Remove unnecessary items from your dashboard. If objects are placed on your dashboard these can cause reflections to be seen on the windscreen and these reflections may be captured during recording.

### 2. Tips for stable memory card performance:

- 2.1 Periodically reformat the memory card. Every 2-3 weeks we recommend that you reformat the memory card. This will wipe any files from the card and set it up afresh for continued use with your iN-CAR CAM.  
Of course, you should only do this AFTER you've downloaded any files from the card that you may want to keep, as formatting the card will remove all content.
- 2.1 Format your memory card using the iN-CAR CAM. This will make sure that the card is structured specifically for your camera. Press MENU twice and choose the Format Card option. Follow the on-screen instructions accordingly.
- 2.2 Switch off the iN-CAR CAM before removing the SD memory card, to prevent the chance of damage being caused to the memory card or the files stored upon it, turn OFF the iN-CAR CAM before removing or inserting the memory card.

**TABLE OF CONTENTS**

INTRODUCTION TO USING AN IN-CAR CAM .....	03
TABLE OF CONTENTS .....	04
PRECAUTIONS .....	05
CAUTIONS ON USING THIS PRODUCT .....	05
PRODUCT SPECIFICATION .....	06
PACKAGE CONTENTS .....	07
PRODUCT FEATURES .....	07
POWERED GPS MOUNT .....	08
CAMERA - PARTS & CONTROLS .....	09
IN VEHICLE INSTALLATION .....	14
VIDEO MODE .....	18
PHOTO MODE .....	22
PLAYBACK MODE .....	24
SETUP MENU .....	28
MASS STORAGE & PC CAMERA .....	31
VIDEO & AUDIO OUTPUT .....	32
WIFI APPLICATION INTRODUCTION .....	33
WIFI APPLICATION FOR SMARTPHONES & TABLETS .....	34
PLAYBACK SOFTWARE FOR WINDOWS .....	41
PLAYBACK SOFTWARE FOR MAC .....	46
TROUBLE SHOOTING .....	51

## PRECAUTIONS

Please read this manual carefully before operation and keep it for future reference. It will be helpful should you encounter any operational problem.

**WARNING:** Do not expose this product to rain, moisture or water under any circumstances, doing so may result in the risk of electric shock or fire.

**CAUTION:** To reduce the risk of electric shock, do not perform any servicing other than that contained in the instruction manual unless you are qualified to do so.  
Have the unit serviced by a qualified service technician if;

- The Unit has been exposed to rain or water.
- The unit does not seem to operate normally.
- The unit exhibits a marked change in performance.

**LCD:** A Liquid Crystal Display (LCD) screen is a multilayer complex component, containing 691,200 pixels. Pixels can however fail during normal product life. 1 pixel = 0.0001% failure rate, and one pixel failure per year of operation is considered normal and not a cause for concern.

**WEEE:** **Disposal of Waste Electrical and Electronic Equipment and/or Battery by users in private households in the European Union.**



This symbol on the product or on the packaging indicates that this can not be disposed of as household waste. You must dispose of your waste equipment and/or battery by handing it over to the applicable take-back scheme for the recycling of electronic equipment and/or batteries. For more information please contact your local household waste disposal office.

## CAUTIONS ON USING THIS PRODUCT

1. Ensure that the windscreen is free of dirt or grease before placing mount upon it.
2. Do not obscure the view of the road ahead or impede the deployment of any airbags in the event of an accident.
3. When not in use, please disconnect the car adaptor from both the 12/24Vdc outlet in your vehicle and the device itself.
4. Only clean the device with a soft dry cloth, for tough dirt, apply some neutral detergent diluted in 5 to 6 parts water to a soft cloth.  
Note that alcohol, thinner, benzene etc could cause damage to the paint or coatings.
5. Avoid making contact with the lenses as damage may be caused.
6. If required clean the glass lens carefully using spectacle lens cleaning fluid on a soft cloth only.
7. The video recordings made by this Digital Video Recorder are intended for personal use only.
8. Publication of the recordings on Youtube, the internet or other methods are subject to the Data Protection Act and the requirements thereof must be adhered to.  
If the Digital Video Recorder is to be used within a commercial environment, i.e. truck use, then the CCTV regulation apply also, in addition to the Data Protection Act regulations. This includes labelling to identify the use of CCTV is taking place, the omission of Audio recording and informing the relevant authorities of who controls the data.
9. Video playback upon the device which is visible to the driver is prohibited or restricted in some countries or States. Please adhere to these laws.
10. Whilst driving, do not adjust the controls of your device as this is a distraction to driving.

**PRODUCT SPECIFICATION**

Model Number / Name	NBDVR312GW / NEXTBASE iN-CAR CAM DELUXE
Power Requirements	5V / 1.5A
Power Supply	12-24Vdc Car Power Cable (supplied) Fuse Type: 32mm / 2A Output: 5Vdc
Sensor Resolution	3M Pixel (3,000,000 Pixel)
Lens - Type / Angle / Aperture	6G / 140° / F1.8
Recording Resolution	1920 x 1080 @ 30fps (default)
Screen Size	2.7"
Screen Resolution	960 (W) X 240 (H) pixels x RGB
Screen Ratio	16:9
Card Reader	MicroSD, Class 6-10, up to 32GB
SD Card (Recommended Type)	8-32GB SDHC, Class 10 (48mb/s), for best results use a recognized brand
SD Card Recorded File Capacity (based on default settings)	8GB Micro SD = 75mins of recording (25x 3 minute recordings) 16GB Micro SD = 150mins of recording (50x 3 minute recordings) 32GB Micro SD = 300mins of recording (100x 3 minute recordings)
Recording Format	MOV
Video / Audio Out	2.5mm Jack (Video / Audio)
Internal Battery	Lithium-ion 3.7V / 450mAh (approx. 30mins recording time) Battery design allows the 'Auto Power Off' feature to function in event of power loss within the vehicle. It is not intended as an alternative power source to replace the supplied car adaptor.
Unit Dimensions	92 x 57 x 37mm
Unit Weight	86g

'Android' is a trademark of Google Inc. in the United States and other countries.

'Dropbox' and the Dropbox logo are trademarks of Dropbox, Inc.

'Datakam' is a registered trademark of DATAKAM Technology Co., Ltd. in the Russian Federation and other countries.

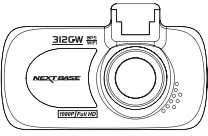


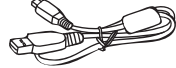

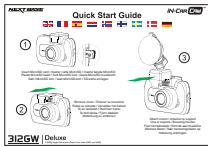

'Mac' and 'iOS' are registered trademarks of Apple Inc. in the United States and other countries.

'Registrator Viewer' playback software is created and distributed by Vadikus Production © 2014, whom remain the copyright owner.

'Windows' is a registered trademark of Microsoft Corporation in the United States and other countries.

## PACKAGE CONTENTS

Please check the contents of your iN-CAR CAM product.

<p><b>iN-CAR CAM</b></p> 	<p><b>Powered GPS Mount</b></p> 	<p><b>Car Power Cable</b></p> 	<p><b>USB Cable</b></p> 
<p><b>Window Sticker</b></p> 	<p><b>Quick Start Guide</b></p> 	<p><b>Instruction Manual &amp; Software Disk</b></p> 	

Product appearance may differ slightly to that shown above.

## PRODUCT FEATURES

Thank you for purchasing this NEXTBASE iN-CAR CAM product, in this section we will outline some of the features available with this dash cam.

### 2.7" LCD Colour Screen

LCD screen for ease of use and viewing the playback of recorded videos and photos.

### Powered GPS Mount

Supplied with an Easy-Fit powered mount, which allows the iN-CAR CAM to be fitted and removed quickly and easily. The car power cable can remain in place, connected to the mount.

### GPS Logger

GPS co-ordinates, date and time are recorded, the journey can then be viewed using the supplied Windows / Mac playback software.

### WiFi Connectivity

Connect your smartphone or tablet device to the iN-CAR CAM, can be used to Start/Stop recording or to view or download files from the iN-CAR CAM

### G Sensor / File Protection

In the event of an impact the device will automatically 'protect' the recording, stopping the file from being over-written. This can also be performed manually, by pressing the 'protect' button. Individual files can also be 'protected' when viewed within playback mode.

### Automatic Start / Stop Technology

The iN-CAR CAM senses power supplied to the cigarette lighter socket, as soon as the vehicle ignition is turned on and will start to record automatically. When the ignition is turned off, the iN-CAR CAM will perform an automatic shutdown process.

### Parking Mode

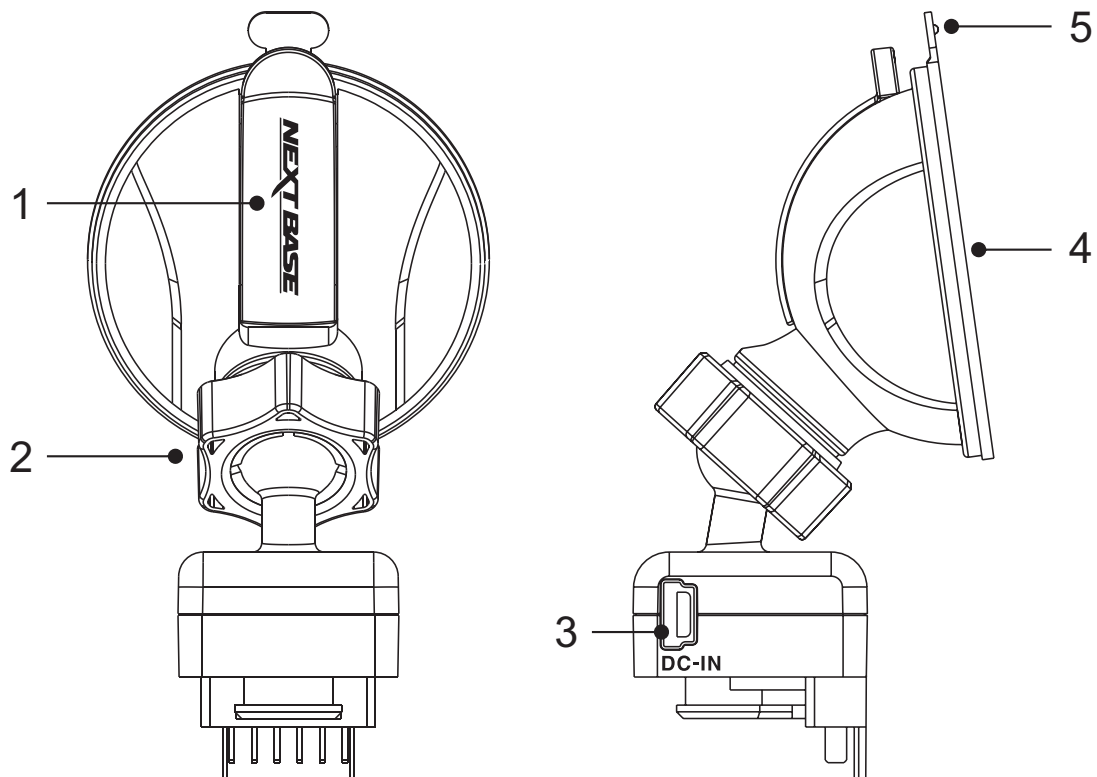
The iN-CAR CAM turns on automatically to record 30 seconds of video, when physical movement of your vehicle is detected.

### Built-in Microphone & Speaker

Record audio to compliment the video recordings.

**POWERED GPS MOUNT**

Please see below to identify the parts of the supplied powered mount.



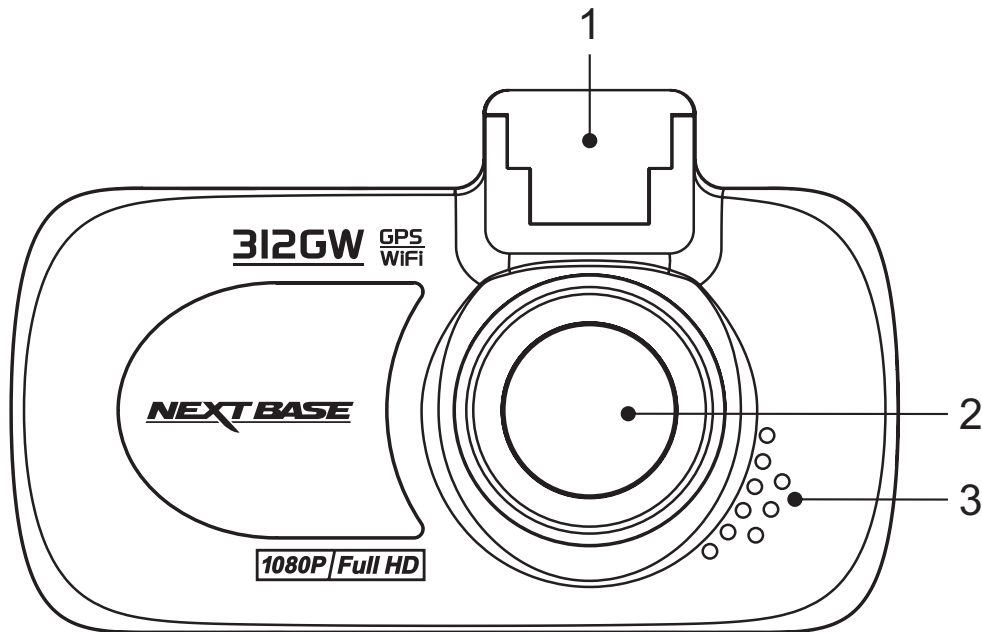
- 1. Locking lever**  
The locking lever is used to attach and release the window mount to your vehicles windscreen. Pull the lever down to prepare the window mount for use. Once the mount is firmly upon the windscreen (in a suitable location) push the lever to lock the mount in place.
- 2. Locking ring**  
Loosen the locking ring to adjust the iN-CAR CAM position if required, remembering to re-tighten before use.
- 3. DC-IN socket**  
Connect the supplied car power cable here.
- 4. Suction cup**  
This is used to attach and release the window mount to your vehicles windscreen. Pull the lever down to prepare the window mount for use. Once the mount is firmly upon the windscreen (in a suitable location) push the lever to lock the mount in place.
- 5. Suction release tab**  
Once the locking lever has been opened use this release tab to break the seal between the mount and windscreen.



## CAMERA - PARTS & CONTROLS

Please see below to identify the parts and controls of your iN-CAR CAM.

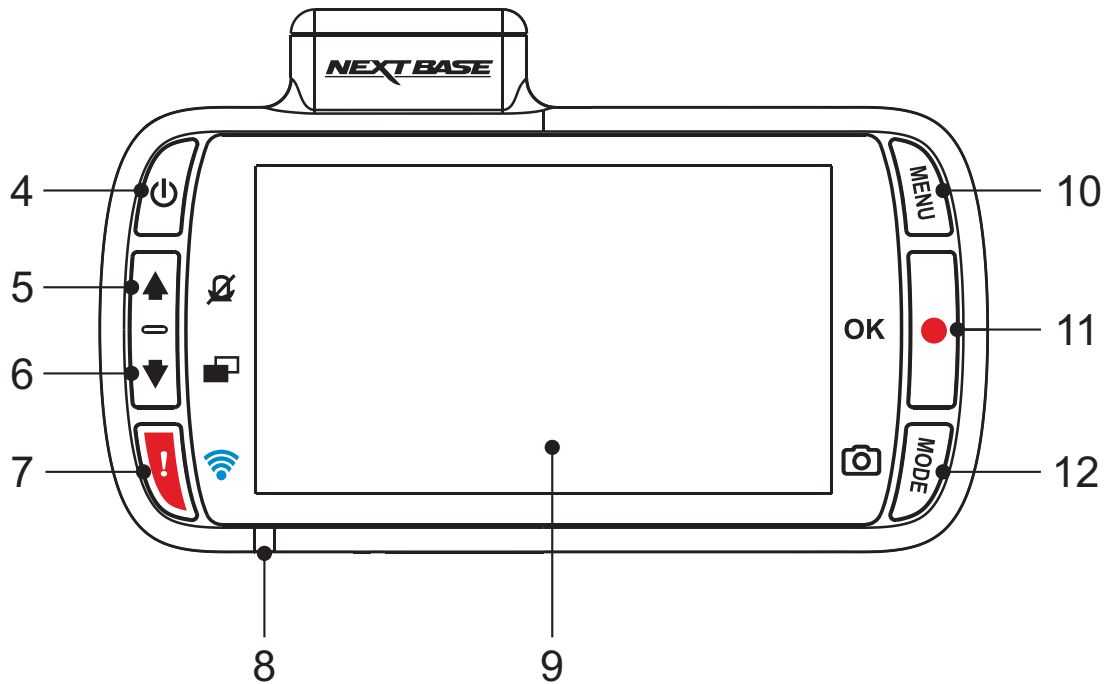
Front:



- 1. Mounting point (located under dust cover)**  
After removing the dust cover, attach the supplied powered GPS mount here.
- 2. Camera lens**  
Wide Angle 140°, 6 Element glass lens for optimum picture quality.
- 3. Speaker**  
Integral speaker for audio playback directly from the iN-CAR CAM.

**CAMERA - PARTS & CONTROLS (CONTD.)**

Back:

**4. Power On / Off button**

Press and hold for 3 seconds to turn on / off the iN-CAR CAM.

**5. Up / Microphone Off button**

Up:

Press to navigate up within menus and to move to the previous file when in playback mode.

Microphone Off:

Press to turn off / on the microphone (audio recording), only available whilst in video mode.

**6. Down / Screen Off button**

Down:

Press to navigate down within menus and to move to the next file when in playback mode.

Screen Off:

Press to turn off / on the screen, only available whilst in video mode.

**7. Protect File / WiFi button**

Protect File:

Press whilst recording to protect the current file in event of an emergency situation.

WiFi:

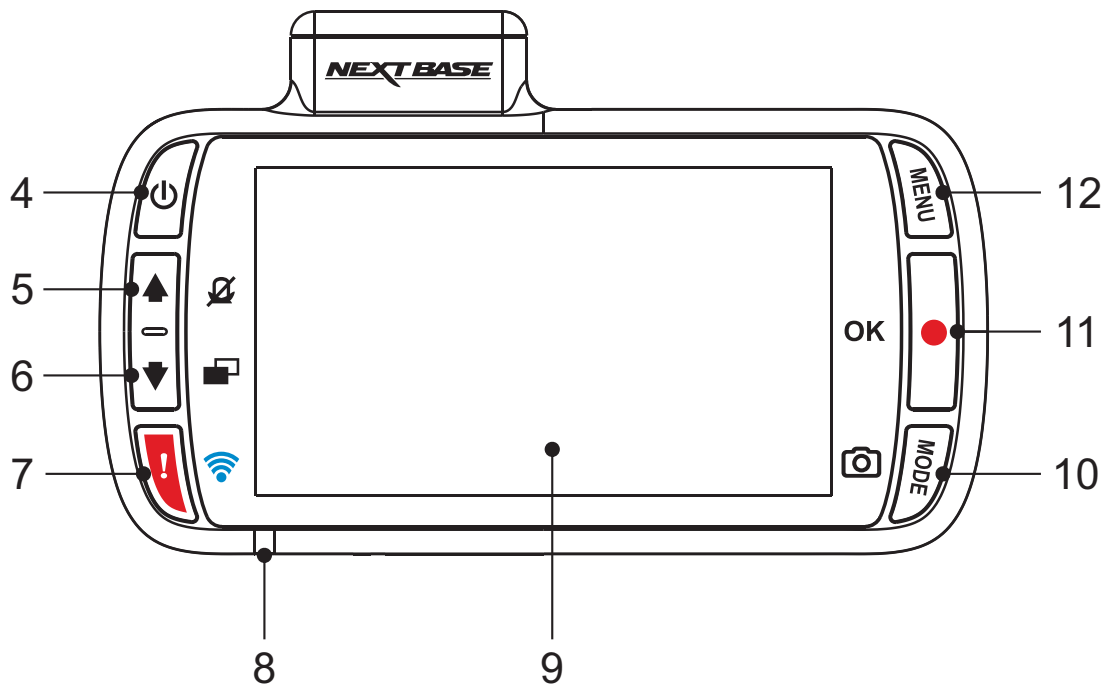
Press and hold for three seconds to turn on WiFi mode, this is not available whilst recording or during playback.

Note:

- To exit WiFi mode please press the OK button once paired device has been disconnected.

**CAMERA - PARTS & CONTROLS (CONTD.)**

Continued from previous page.

**8. Dual colour LED indicator**

Red = power on  
Red flashing = recording  
Blue = battery charging

**9. Screen**

2.7' LCD colour screen for the viewing of recorded files on the iN-CAR CAM.

**10. Mode / Screen Capture button**

Mode:

Press to change between video, photo or playback modes.

Screen capture:

Whilst recording press to save a screen capture of the current frame.

**11. Record / OK button**

Record:

Press to start or stop a recording when in video mode, or take a photo when in photo mode.

OK:

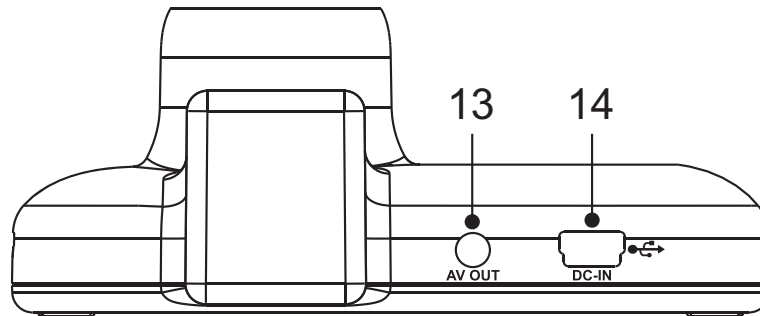
Press to confirm selection when in menus.

**12. Menu button**

Press to open the menu within current mode, press twice to open the general settings.

**CAMERA - PARTS & CONTROLS (CONTD.)**

Top:

**13. AV Out socket**

Used to connect your iN-CAR CAM to a television using an AV Cable (sold separately).

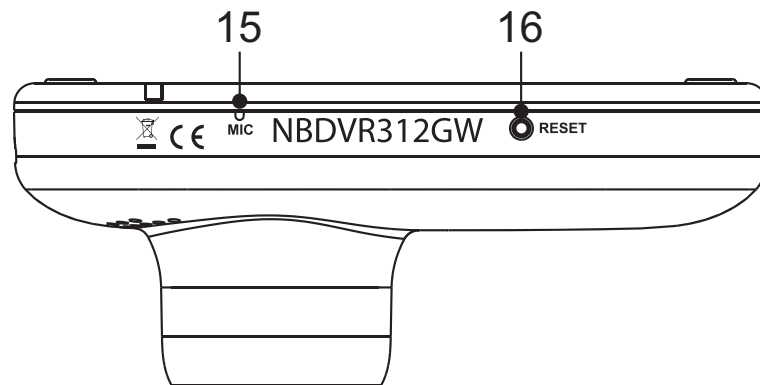
**14. DC-IN & USB socket**

Connect the supplied car power cable or USB data cable here.

Note:

- Normally the car power cable is connected to the mount when in use, not directly to this socket.

Bottom:

**15. Microphone**

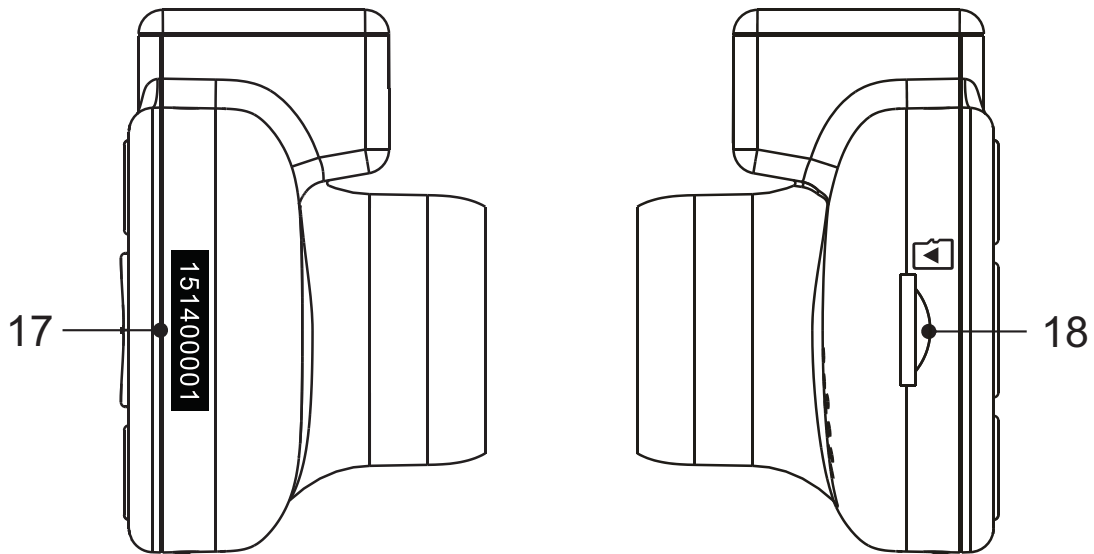
Integral microphone for audio recording.

**16. Reset button**

In the unlikely event the iN-CAR CAM becomes unresponsive, press the RESET button to restart the iN-CAR CAM.

**CAMERA - PARTS & CONTROLS (CONTD.)**

Sides:

**17. Serial Number sticker**

Please keep a record of your iN-CAR CAMs serial number, this may be required should you seek technical support.

**18. MicroSD Card slot**

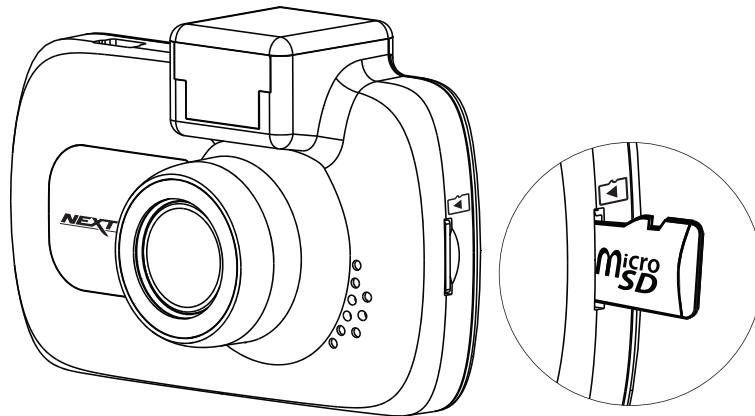
Insert the MicroSD card here, taking care that the gold contacts are facing towards the back of the iN-CAR CAM.

## IN VEHICLE INSTALLATION

Please follow the instructions below for first-time installation of the iN-CAR CAM. For day to day use simply remove the camera from the mount as required.

### 1. Insert MicroSD Card

Insert a suitable MicroSD card (Class 10 48/Mbps) in to the iN-CAR CAM, taking care that the gold contacts are facing towards the LCD screen side of the iN-CAR CAM. Push the memory card until it clicks into place.



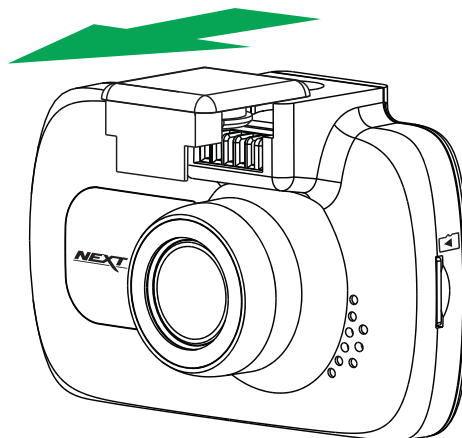
#### Note:

- Use the edge of a small coin (or similar object) to push the memory card in place if required. Take care that card has 'clicked' into place, a second push inwards will release the memory card.
- Do not remove or insert the memory card when the iN-CAR CAM is turned on. This may damage the memory card.

### 2. Remove dust cover from iN-CAR CAM

Remove the dust cover that is located on the top of the iN-CAR CAM to gain access to the mounting point.

To remove the dust cover, slide it forwards away from the LCD screen of the iN-CAR CAM.

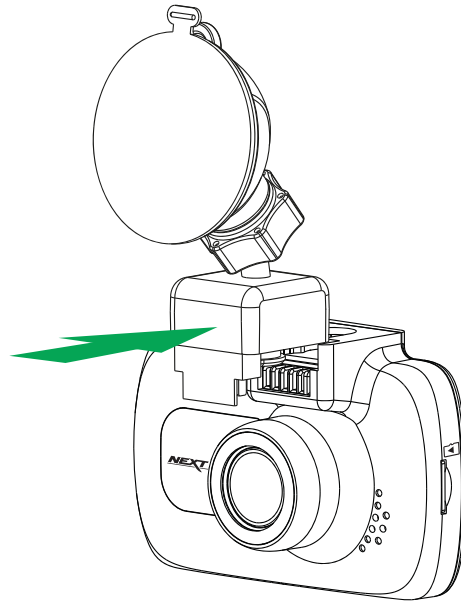


#### Note:

- If the iN-CAR CAM is not to be used for a period of time please replace the dust cover to help keep the metal contacts free of dust or other contaminants.

**IN VEHICLE INSTALLATION (CONTD.)****3. Attach the mount to the iN-CAR CAM**

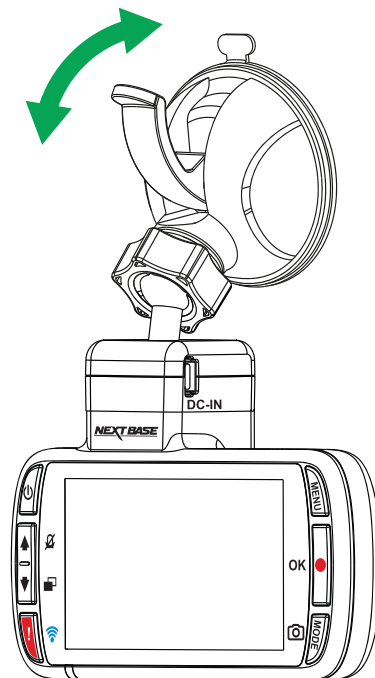
Slide the iN-CAR CAM onto the mount. Once attached magnets within the mount will hold the two parts together.

**4. Attach the mount to the windscreen**

Remove the protective plastic film from the suction cup of the mount.

Select a suitable position for the mount and clean the windscreen with a dry / clean cloth to achieve a good contact between the glass and suction cup.

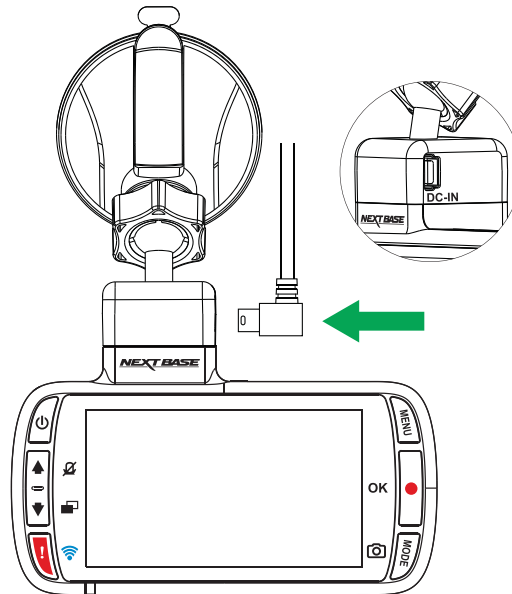
Release the locking lever of the mount by pulling down and then whilst holding the suction cup onto the glass push the lever up to secure the mount to the windscreen.

**Note:**

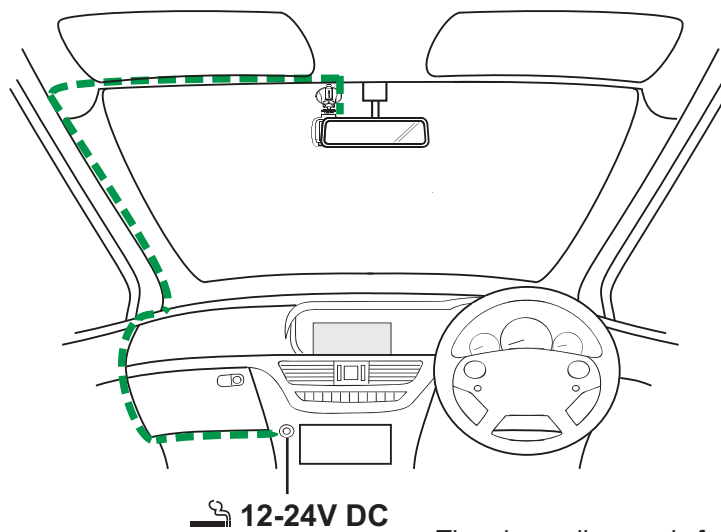
- Choose a smooth glass area without painted effect.
- Please ensure that once mounted the iN-CAR CAM will be located within the area of the vehicles windscreen wipers to maintain a clear view during rainfall.

**IN VEHICLE INSTALLATION (CONTD.)****5. Connect car power cable**

Connect the supplied car power cable to DC-IN socket of the mount.



Plug the power cable into the 12-24Vdc outlet of your vehicle.



*The above diagram is for illustration purposes only.*

The iN-CAR CAM will automatically power on and start recording once power is available. In some vehicles this will be when connections are made, for others the iN-CAR CAM will power on once the ignition has been turned on.

Should your vehicle not have a 12-24Vdc outlet, but does have a 5Vdc USB Outlet, this can be used instead. Connect the USB cable supplied with your iN-CAR CAM in place of the car power cable. Ensure you connect the USB cable to the Powered Mount only, NOT directly to the camera when using in-car

**Note:**

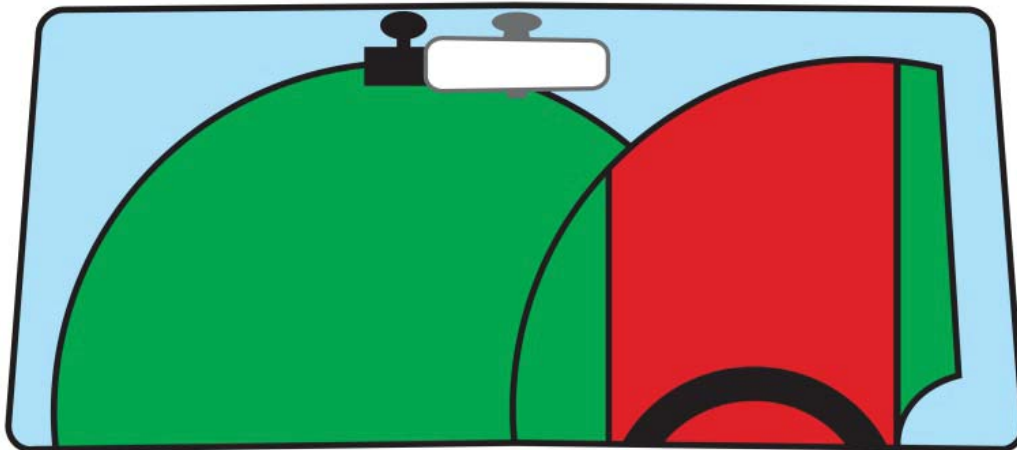
- Do NOT wire the iN-CAR CAM directly to a 12V supply by cutting the cigarette plug off the end of the cable, or damage will result.
- A Nextbase hardwire kit is available from your retailer. This connects directly to the vehicle fusebox and hence leaves your cigarette socket available for Phone / Sat Nav charging. The Nextbase hardwire kit includes the necessary 12-24VDC to 5Vdc convertor and battery protection circuitry.



## IN VEHICLE INSTALLATION (CONTD.)

Please read and follow the notes below for the safe operation of your iN-CAR CAM within your vehicle.

As per the installation instructions, you must install the iN-CAR CAM so it does NOT obstruct the drivers view of the road, preferably on the passenger side of the vehicle and behind the rear view mirror. Whilst the iN-CAR CAM clearly needs to view through the windscreen in an area swept by the windscreen wipers, the iN-CAR CAM should be installed so as not to intrude significantly within the wiped area. A 40mm intrusion into the green wiped area is the maximum permitted by law.



Do NOT mount the iN-CAR CAM in front of the driver, as depicted by the red area in the above illustration.

When installing the iN-CAR CAM in a vehicle, always place the device securely against the windscreen and where possible conceal the power cable under trim. Make sure that the iN-CAR CAM power cable does not interfere with the drivers operating controls, such as the steering wheel, pedals or gear levers.

Do NOT mount the iN-CAR CAM in front of an airbag field of deployment or in a position to obscure any mirrors.

Clean the windscreen at the point of location, prior to fitting the iN-CAR CAM, also, applying some moisture to the suction cup may be beneficial, to ensure absolute adhesion.

It is recommended NOT to operate the iN-CAR CAM whilst driving. The automatic Start-Stop technology incorporated within the device negates any need to operate the controls whilst driving.

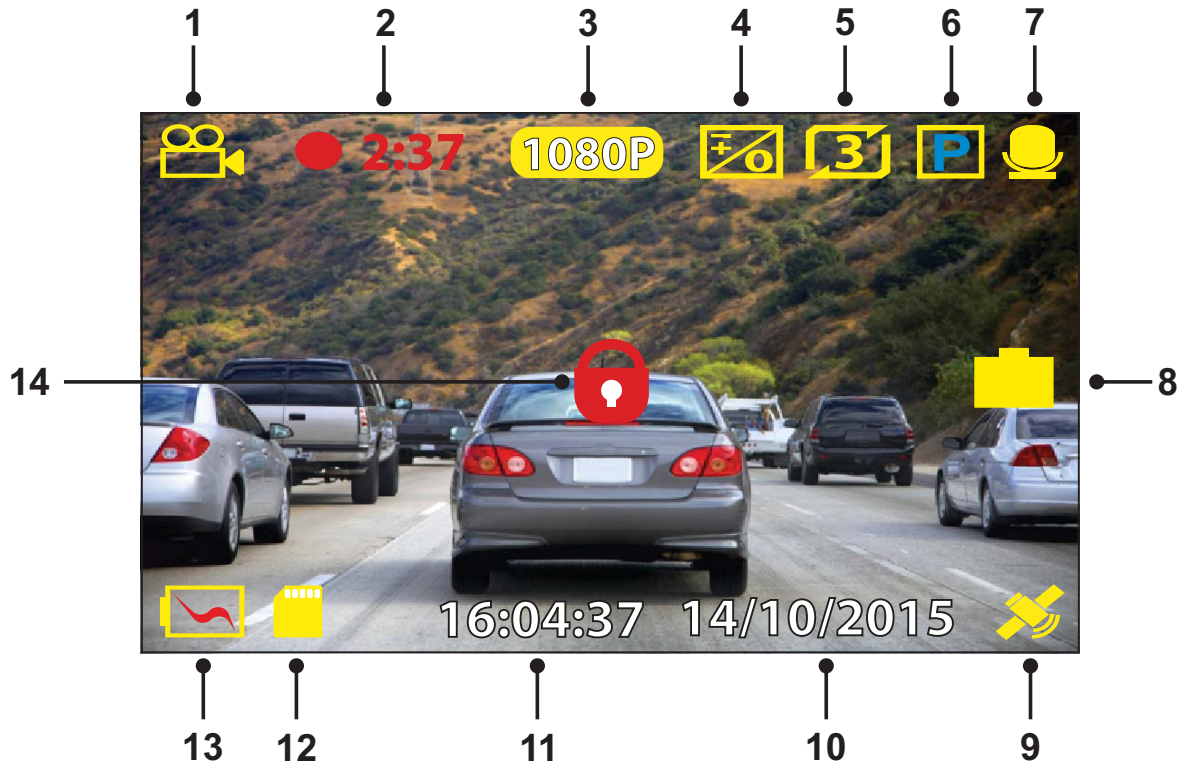
Adjust any settings or review recordings whilst stationary, not whilst driving.

Only use your mobile device whilst stationary, not whilst driving.

After the preliminary SETUP has been carried out upon the iN-CAR CAM, adjust the Screen Saver setting to 1 minute, this will blank the screen automatically shortly after starting the vehicle and therefore the screen will NOT be a distraction in any way to the driver.

**VIDEO MODE**

The key below explains the various information displayed on the screen when your iN-CAR CAM is in Video mode, some icons will only be displayed once the relevant function has been selected within the Video menu, as described below.



1. Mode: indicates the iN-CAR CAM is in Video mode.
2. Recording: appears on screen when recording is in progress.
3. Resolution: displays the current resolution.
4. Exposure: displays current Exposure level setting.
5. Video Length: displays the length of the individual recordings in minutes.
6. Parking Mode: appears on screen when Parking Mode has been turned on.
7. Microphone: displayed on screen when Audio Recording is active.
8. Screen Capture: appears on screen during screen capture.
9. GPS: The satellite icon will flash whilst the iN-CAR CAM locates satellites. Once a stable signal is received, the icon will stop flashing and remain on screen.
10. Date: current date.
11. Time: current time.
12. Memory Card: indicates whether a memory card is present.
13. Battery: indicates whether iN-CAR CAM is running on battery or external power.
14. Protected: shown on screen when a video file has been protected by activation of the G Sensor or by the pressing of the file protect button.

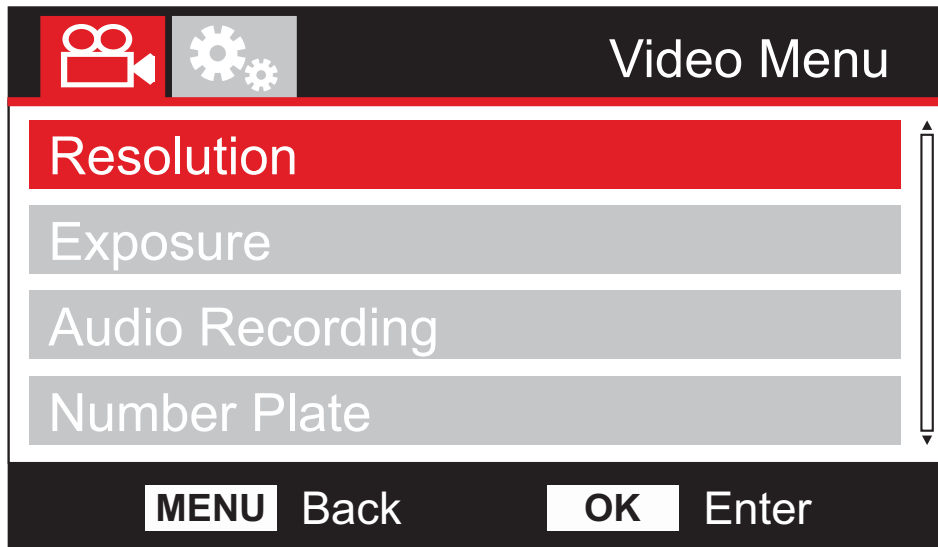
The default settings within the iN-CAR CAM have been set to allow you to use the iN-CAR CAM without the need to change any settings.

See the next page for video menu settings, should you want to make any adjustments however.

**VIDEO MODE (CONTD.)**

**Video Menu**

The Video Menu is accessed by pressing the MENU button whilst in video mode.



The default settings have been carefully selected to allow you to use the iN-CAR CAM without the need to change any settings. However, should you wish to change a setting then please see below.

Use the up and down buttons to highlight the function that you'd like to change and press the OK button to enter the settings sub-menu.

Once in the submenu, use the up and down buttons to highlight the required setting and then press OK to confirm your selection and return to the Video Menu.

Press the MENU button twice to return to video mode.

Note:

- Menus are not accessible whilst the iN-CAR CAM is recording.

**1. Resolution**

Select recording resolution, this will increase or decrease the quality of the recorded video.

Options: 1080P, 720P and 720P 60 FPS  
 Default Setting: 1080P

**2. Exposure**

Adjust exposure level for different light conditions.

Options: +2, +1, 0, -1 and -2  
 Default Setting: 0

**3. Audio Recording**

Turn On / Off the microphone.

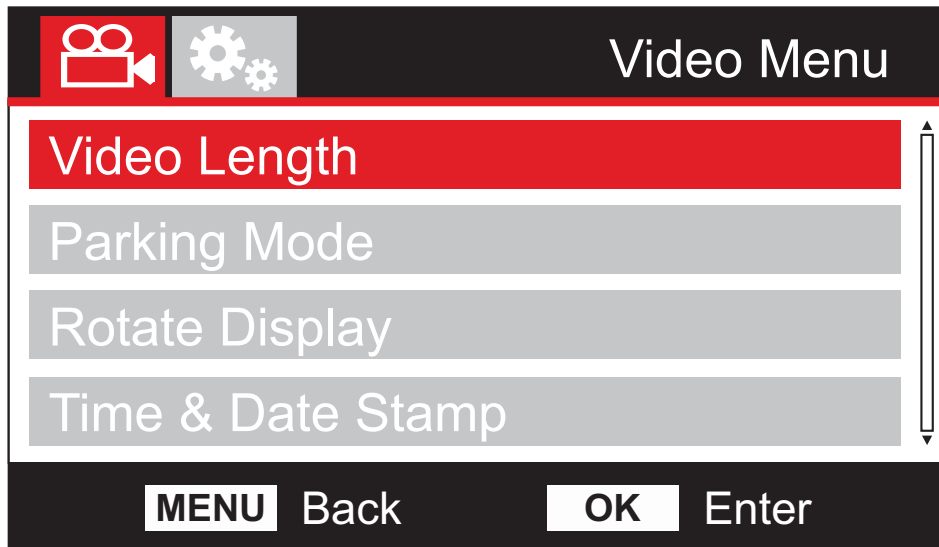
Options: On and Off  
 Default Setting: On

**4. Number Plate**

Enter the registration number for your vehicle, this will then be shown on the video file.

**VIDEO MODE (CONTD.)**

Continued from previous page.

**5. Video Length**

Select the duration of the individual recorded video files. The iN-CAR CAM will continue recording, filling the memory card. When the memory card becomes full, the oldest file will be automatically deleted to make space for the new recording.

Note:

- Protected files will never be deleted.

Options: 2 Minutes, 3 Minutes and 5 Minutes

Default Setting: 3 Minutes

**6. Parking Mode**

When Parking Mode has been turned ON, the iN-CAR CAM remains in standby mode, when the 12Vdc supply has been turned OFF (typically removing your ignition key). Should physical movement of the vehicle be detected the iN-CAR CAM will power on and start recording a 30 second video and then return to standby mode.

The recorded file will automatically be protected.

Options: On and Off

Default Setting: Off

**7. Rotate Display**

Rotate the display 180°, particularly useful should the iN-CAR CAM be mounted on the dashboard, the iN-CAR CAM control button functions do not rotate.

**8. Time & Date Stamp**

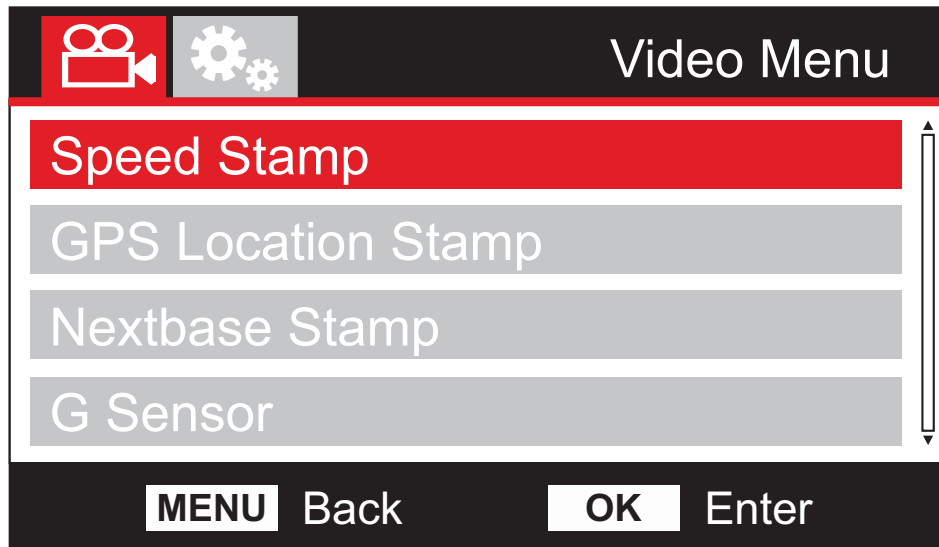
Turn On / Off the time and date stamp shown on recorded files.

Options: Off and On

Default Setting: On

**VIDEO MODE (CONTD.)**

Continued from previous page.

**9. Speed Stamp**

Turn On / Off the Speed Stamp shown on recorded files.

Options: On and Off

Default Setting: On

**10. GPS Stamp**

Turn On / Off both the GPS co-ordinates and speed stamp that are shown on recorded files. When a recording is viewed using the NEXTBASE Replay both the GPS co-ordinates and speed information remains available.

Options: On and Off

Default Setting: On

**11. Nextbase Stamp**

Turn On / Off the NEXTBASE Stamp shown in the top left corner of recorded files.

Options: On and Off

Default Setting: On

**12. G Sensor**

Turn Off or adjust the sensitivity of the built in G Sensor. The G Sensor detects forces which will automatically protect the current recording in event of a collision.

Note:

- This does not affect Parking mode sensitivity.

Options: High, Normal, Low and Off

Default Setting: Normal

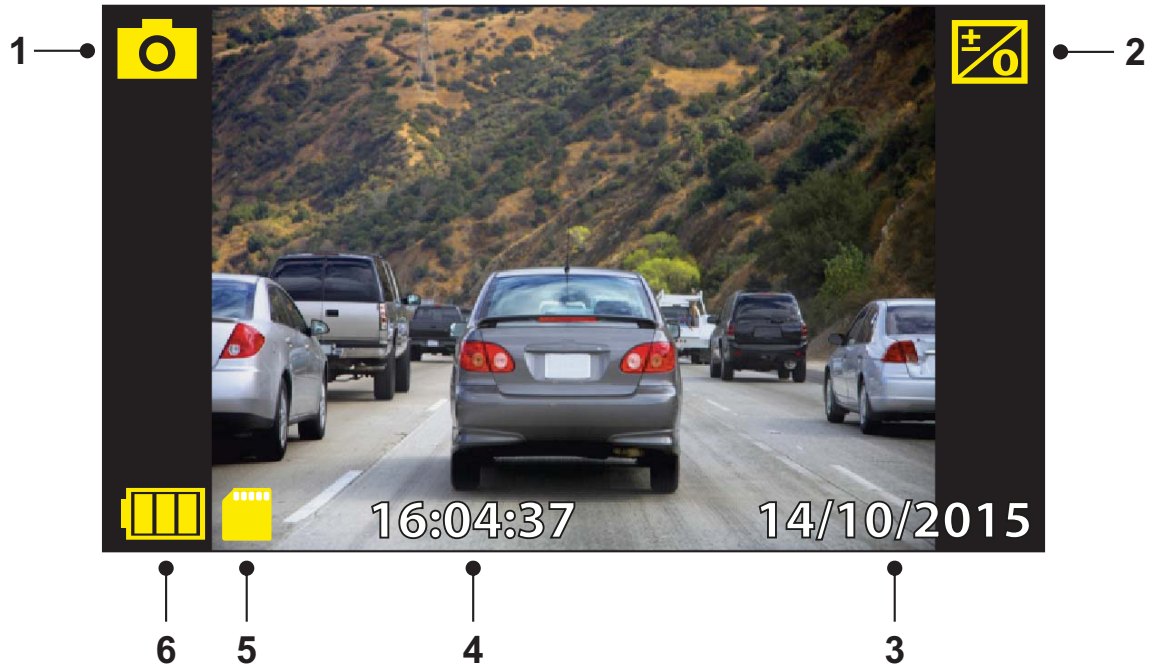
Note:

- Within the Setup Menu which is accessed by pressing the MENU button twice, there is a 'Default Settings' option to allow you to reset the iN-CAR CAM to the factory defaults, if required.

**PHOTO MODE**

Press the MODE button to select Photo mode.

The key below explains the information displayed on the screen when your iN-CAR CAM is in Photo mode.



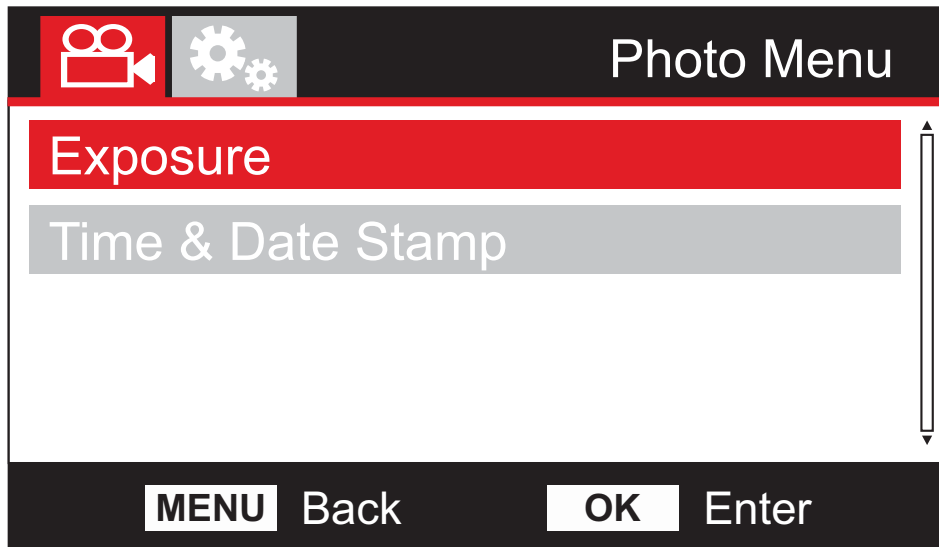
1. Mode: indicates the iN-CAR CAM is in Photo mode.
2. Exposure: displays current exposure level setting.
3. Date: current date.
4. Time: current time.
5. Memory Card: indicates whether a memory card is present.
6. Battery: indicates whether iN-CAR CAM is running on battery or external power.

See the next page for photo menu settings.

**PHOTO MODE (CONTD.)**

**Photo Menu**

The Photo Menu is accessed by pressing the MENU button whilst in photo mode.



The default settings have been carefully selected to allow you to use the iN-CAR CAM without the need to change any settings. However, should you wish to change a setting then please see below.

Use the up and down buttons to highlight the function that you'd like to change and press the OK button to enter the settings sub-menu.

Once in the submenu, use the up and down buttons to highlight the required setting and then press OK to confirm your selection and return to the Photo Menu.

Press the MENU button twice to return to photo mode.

**1. Exposure**

Adjust exposure level for different light conditions.

Options: +2, +1, 0, -1 and -2

Default Setting: 0

**2. Time & Date Stamp**

Turn On / Off the time and date stamp shown on images.

Options: On and Off

Default Setting: On

**Note:**

- Within the Setup Menu which is accessed by pressing the MENU button twice, there is a 'Default Settings' option to allow you to reset the iN-CAR CAM to the factory defaults, if required.

**PLAYBACK MODE**

Press the MODE button to select Playback mode, the iN-CAR CAM will display the last recorded file. Dependent on the type of file, the on-screen information and playback functions differ.

Video Files:



1. Mode: indicates the iN-CAR CAM is in Playback mode.
2. File type: indicates whether a video or photo file is being viewed.
3. File number: displays current file number.
4. Elapsed time: Displays the elapsed time for the video being watched.
5. Time: displays the start time that the current file was recorded.
6. Date: displays date that the current file was recorded.
7. Playback controls: use the iN-CAR CAM buttons as described below.
8. Battery: indicates whether iN-CAR CAM is running on battery or external power.
9. Protected file: indicates that the video file is protected.

Playback Controls:



Press the OK button to play / pause playback.



Press the MODE button to stop playback.



Use the UP button to select the previous file, this is only available once playback has been stopped.

During playback press the UP button to rewind, press the OK button to pause rewind and then press once more to restart playback at normal speed.



Use the DOWN button to select the next file, this is only available once playback has been stopped.

During playback press the DOWN button to fast forward, press the OK button to pause fast forward and then press once more to restart playback at normal speed.



**PLAYBACK MODE**

Photo Files:



1. Mode: indicates the iN-CAR CAM is in Playback mode.
2. File type: indicates whether a video or photo file is being viewed.
3. File number: displays current file number.
4. Time: displays the time that the current image was taken.
5. Date: displays the date that the current image was taken.
6. Next: press the down button to move to previous file.
7. Previous: press the up button to move to previous file.
8. Battery: indicates whether iN-CAR CAM is running on battery or external power.
9. Protected file: indicates that the video file is protected.

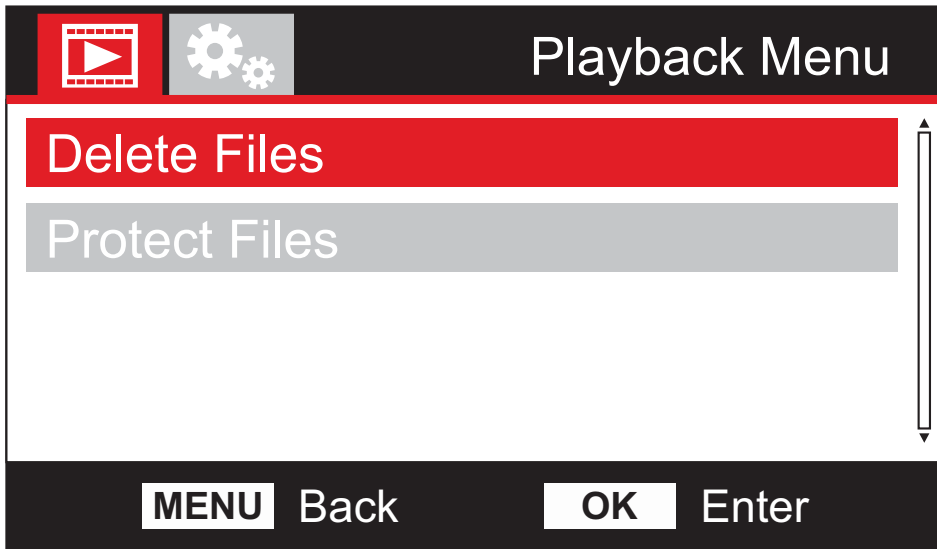
Within Playback mode there are options available to Delete and Protect files, press the MENU button to access the Playback Menu.

See following pages for details.

**PLAYBACK MODE (CONTD.)**

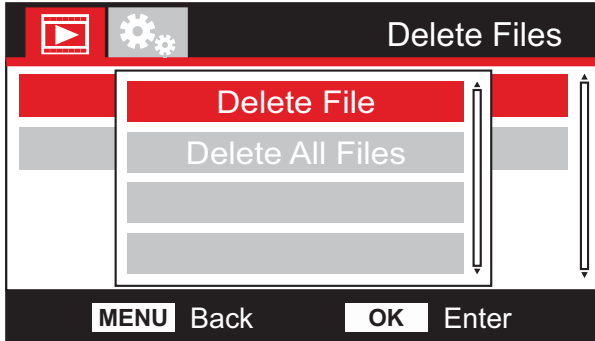
**Deleting files:**

Highlight the Delete Files option and press the OK button.



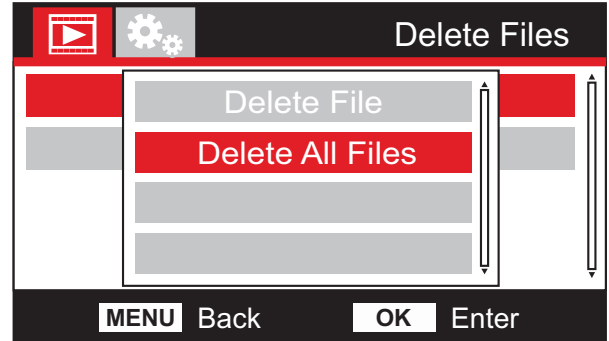
This will then give you two options:

**Delete File**



Once selected, follow the on screen instructions to delete the current file.

**Delete All Files**



Once selected, follow the on screen instructions to delete all files.

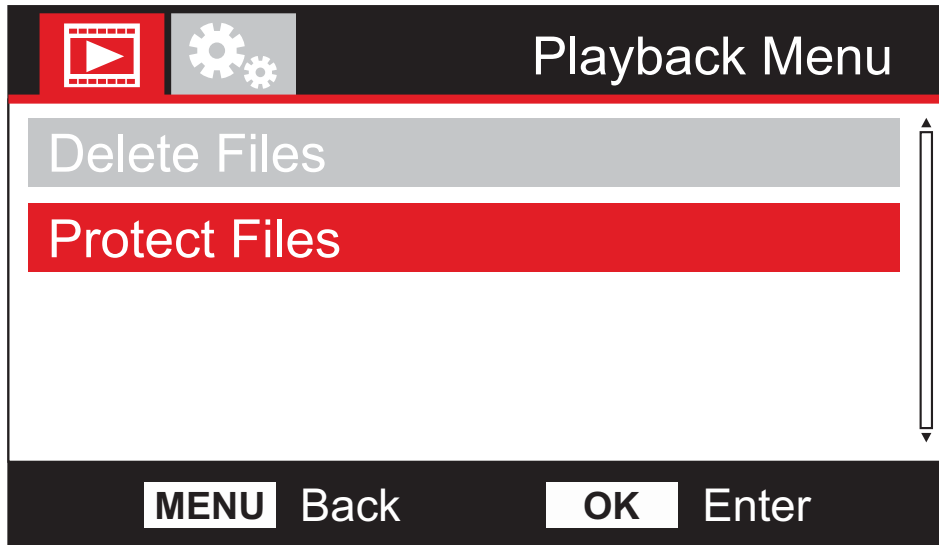
**Note:**

- Protected files cannot be deleted.

**PLAYBACK MODE (CONTD.)**

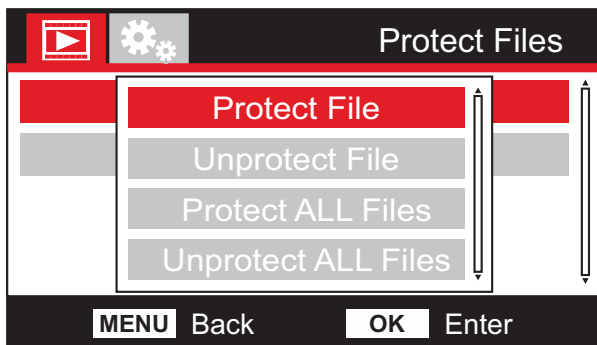
**Protecting files:**

Highlight the Protect Files option and press the OK button.



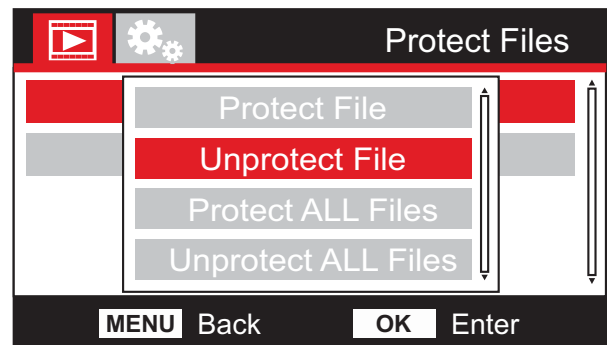
This will then give you four options:

**Protect File**



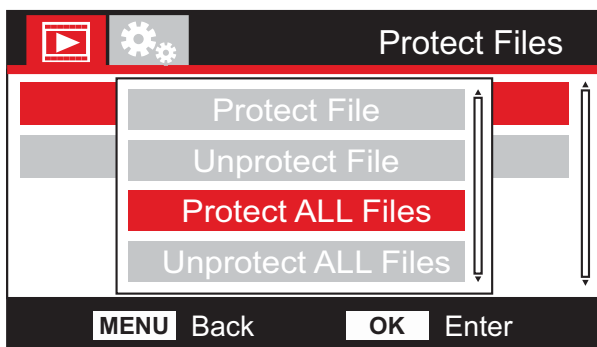
Once selected, follow the on screen instructions to Protect the current file.

**Unprotect File**



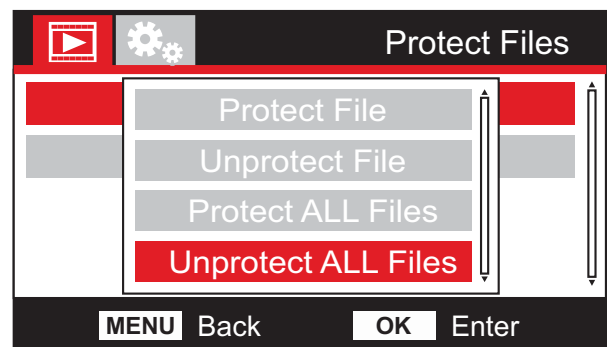
Once selected, follow the on screen instructions to Unprotect the current file.

**Protect All Files**



Once selected, follow the on screen instructions to Protect all files.

**Unprotect All Files**



Once selected, follow the on screen instructions to Unprotect all files.

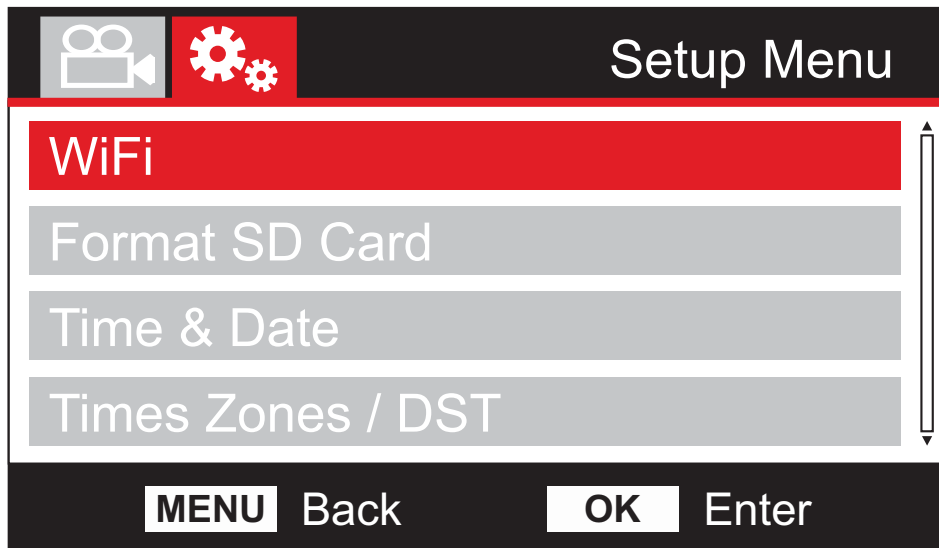
**Note:**

- The 'Protect' button can also be used to Protect files when in Playback Mode.

## SETUP MENU

### Setup Menu

The Setup Menu is accessed by pressing the MENU button twice.



The default settings have been carefully selected to allow you to use the iN-CAR CAM without the need to change any settings. However, should you wish to change a setting then please see below.

Use the up and down buttons to highlight the function that you'd like to change and press the OK button to enter the settings sub-menu.

Once in the submenu, use the up and down buttons to highlight the required setting and then press OK to confirm your selection and return to the Photo Menu.

Press the MENU button twice to return to video mode.

#### 1. WiFi

The Wi-Fi function allows you to use your smartphone or tablet device to view recordings directly from the dashcam.

See pages 33 to 40 for full guide on using the WiFi function.

#### 2. Format SD Card

Format the inserted memory card, this will delete all content.

Note:

- For stable performance, it is recommended that you format the memory card every 2-3 weeks.

Of course, you should only do this AFTER you've downloaded any files from the card that you may want to keep.

#### 3. Time & Date

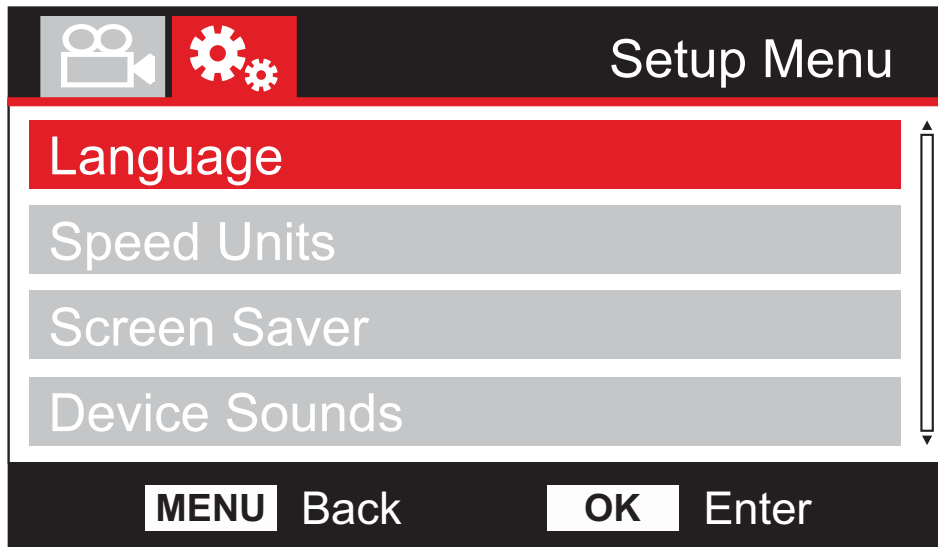
Adjust the date / time as required using the OK button to toggle through the fields and use the up & down buttons to set variables. Press MENU to exit and return to the Setup Menu.

#### 4. Time Zones / DST

The Time and Date is automatically set from the satellite signal, but can be adjusted dependent upon your Time Zone (country) or whether Daylight Savings Time (DST) is operational.

**SETUP MENU (CONTD.)**

Continued from previous page.

**5. Language**

Select preferred language.

Options: Dansk, Deutsch, English, Español, Français, Nederlands, Norsk, Suomi and Svenska.

Default Setting: English

**6. Speed Units**

Select whether to record and display speed in KMH or MPH.

Options: KMH and MPH

Default Setting: MPH

**7. Screen Saver**

Turn on the Screen Saver function to shut down the screen after a chosen period of inactivity, press any button to re-activate the display.

Options: Off, 10 Seconds, 30 Seconds and 2 Minutes

Default Setting: Off

**8. Device Sounds**

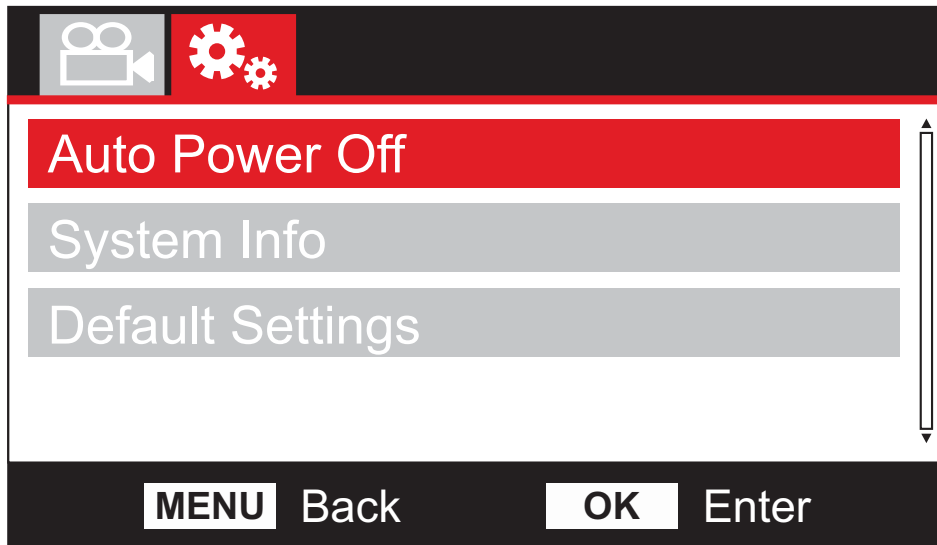
Turn Off / On the beep sound which is heard when a button is pressed and also mute the startup and shutdown chimes.

Options: On and Off

Default Setting: On

**SETUP MENU (CONTD.)**

Continued from previous page.

**9. Auto Power Off**

Adjust the timing of the Auto Power Off function, this can be used to continue recording in event of loss of power within in the vehicle.

Options: 10 Seconds, 1 Minute and 2 Minutes

Default Setting: 10 Seconds

**10. System Info**

Version:

The installed software version of your iN-CAR CAM is displayed here.

WiFi Info:

View the SSID, Password, IP Address and MAC Address of your iN-CAR CAM.

**11. Default Settings**

Reset the iN-CAR CAM to the default settings.

## MASS STORAGE & PC CAMERA

Use the supplied USB cable to connect the iN-CAR CAM directly to your PC, NOT through the Powered Mount.

PC Connection will power on the iN-CAR CAM with three functions available, as described below.

Use the UP and DOWN buttons to select required function and press OK to confirm selection.

- Mass Storage
- PC Camera
- Power On

### **Mass Storage (Windows)**

When this option is selected, the iN-CAR CAM will function as a card reader for your PC. An extra drive will appear, e.g. Removable Disk (D:) and you will be able to view / manage the stored files upon the MicroSD card within the iN-CAR CAM.

Note:

- The iN-CAR CAM is a 'read-only' device, therefore uploading files to the SD card when in Mass Storage mode is not possible.

### **Mass Storage (Mac)**

When this option is selected, the iN-CAR CAM will function as a card reader for your MAC. The 'NO NAME' external USB disk icon will appear on your MAC and you will be able to view and/or manage stored files.

Eject the disk as you would do normally before removing the cable or turning off the iN-CAR CAM.

Note:

- The iN-CAR CAM is a 'read-only' device, therefore uploading files to the SD card when in Mass Storage mode is not possible.

### **PC Camera**

When this option is selected, the iN-CAR CAM will function as a webcam for your PC. Start the normal application upon your PC that uses a webcam (e.g. Skype) and select the iN-CAR CAM.

### **Power On**

When this option is selected, the iN-CAR CAM will power on with all functions available. This includes charging of the internal battery, a full charge will take approximately 2 hours.

Note:

- When Mass Storage or PC Camera modes are selected the iN-CAR CAM screen will blank.
- Turn Off the iN-CAR CAM before disconnecting from your computer.

## VIDEO & AUDIO OUTPUT

The iN-CAR CAM can be connected to external video equipment, such as a television or a monitor within your vehicle that uses standard RCA inputs.

Connect the AV cable (sold separately) between the iN-CAR CAM and your external device, then turn on the iN-CAR CAM. The screen on the iN-CAR CAM will be blank as the video image is now being sent to the external device, the red power LED on the iN-CAR CAM will be lit indicating the unit is turned on.

Make sure that the iN-CAR CAM battery is charged prior to use, as power is not supplied to the iN-CAR CAM via the AV cable.

For prolonged use an external power supply may be required, use the supplied USB cable with a 5Vdc/USB adaptor, of the type typically supplied with mobile phones.

Note:

- ENSURE that any external power sources are of the correct 5Vdc output, otherwise damage will be caused that is not covered under the manufacturers warranty.

Please visit: [nextbaseshop.co.uk](http://nextbaseshop.co.uk) to purchase the correct AV Cable (PN: NBDVR312GW-AVC).



## WIFI APPLICATION AN INTRODUCTION

Using the Wi-Fi function of the iN-CAR CAM with the Nextbase Cam Viewer App allows you to connect your smartphone or tablet device to the iN-CAR CAM.

The Cam Viewer App has three primary functions:

### **Live View**

This allows you to view the current recording.

### **Playback**

Control and view playback of recordings on your device directly from the iN-CAR CAM

### **Upload**

This allows you to upload a chosen recording to a secure server and then provide a 'link' to the uploaded recording that can be emailed to your insurance company or friends.

This makes the provision of recorded evidence to your insurance company very simple.

The Nextbase Cam Viewer App is available for free download from Google Play Store (Android) and the App Store (iOS).


### **Installing the App:**

Download the 'Nextbase Cam Viewer' App and install to your device, once successfully installed App will be available on your device.

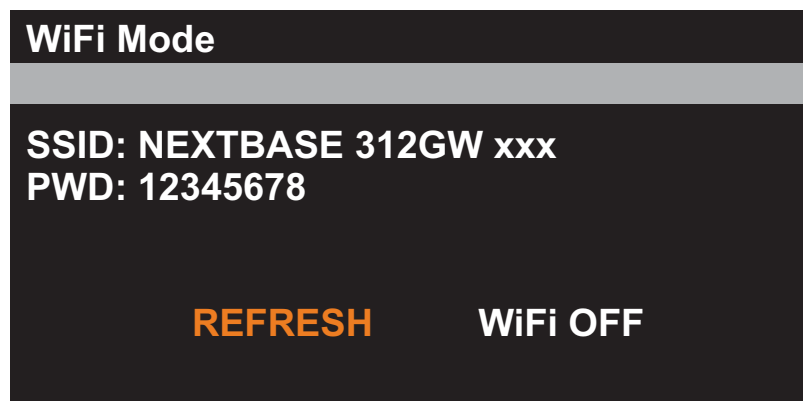


Cam Viewer

### **Turn on the iN-CAR CAM WiFi:**

There two ways to turn on the Wifi function, using the  button (press and hold for 3 seconds) or from within the Setup menu.

Once turned on the WiFi Mode screen will open, as shown below.



This screen gives the name of the iN-CAR CAM SSID (network name): 'NEXTBASE 312GW xxx' and also the password: 12345678.

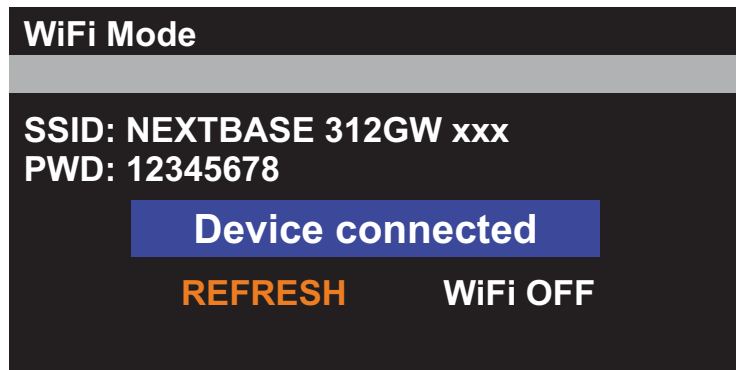
## WIFI APPLICATION FOR SMARTPHONES & TABLETS

### Connect your Smartphone or Tablet to the iN-CAR CAM

Connecting to the iN-CAR CAM is the same process as you would use to connect your Smartphone or Tablet to any WiFi 'network'. Your Smartphone or Tablet is subsequently referred to a 'device'.

Select 'NEXTBASE 312GW xxx' from within the list of available networks and enter the password.

Once connected successfully the 'Device connected' popup message will appear, as shown below.



### Open the App on your device

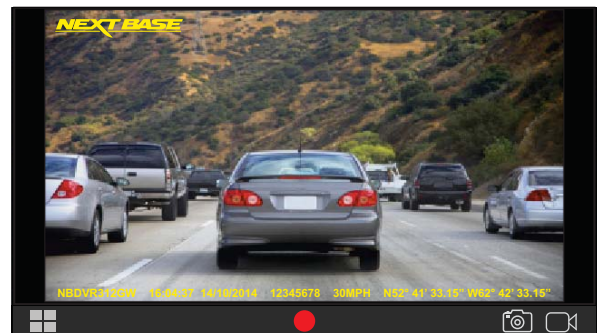
Locate the Cam Viewer App on your device and open.

The NEXTBASE opening screen will appear, followed by the 'WiFi Connection' window. Assuming that you have already connected your device to the iN-CAR CAM (as described in previous section) press the 'arrow' button to proceed to the 'Live View'.

**WiFi Connection**



**Live View**

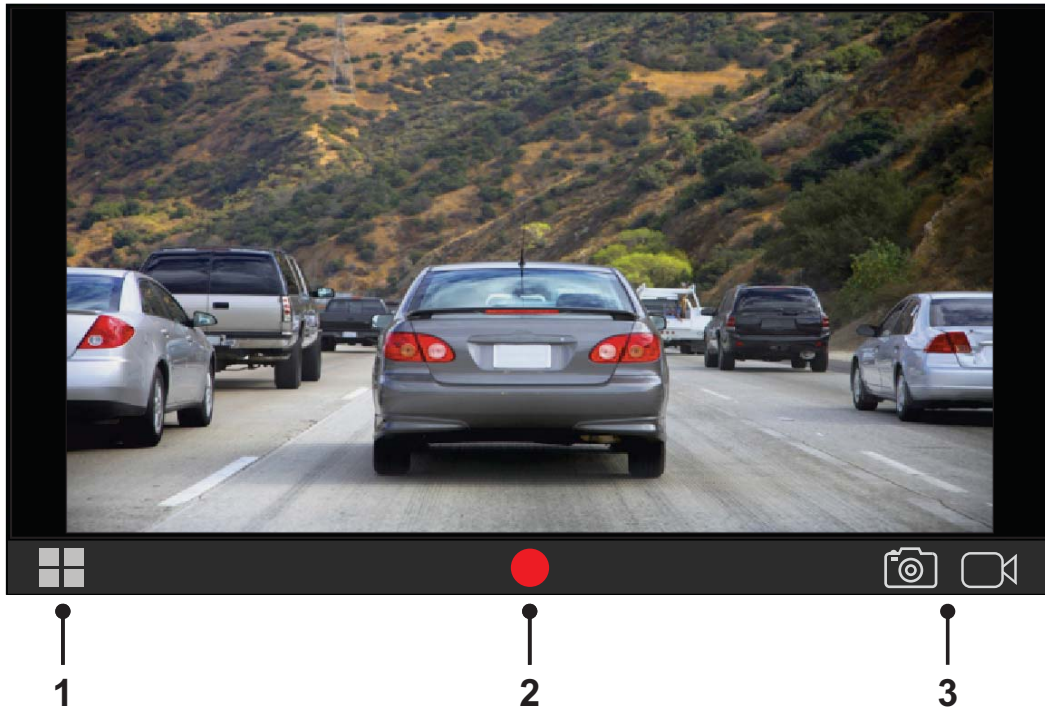


If connection has not been made Cam Viewer will show a 'Please Check Device' message, please refer to the 'Connect your device to the iN-CAR CAM' section above and try the App once more.

## WIFI APPLICATION FOR SMARTPHONES & TABLETS (CONTD.)

### Live View screen

From within the Live View screen you can set the mode (photo or video), control recording and also access the Menu screen.



#### 1. Menu button

Tap here to open the Menu window, from where you can select from the available options:  
Files on the iN-CAR CAM  
Files on your device  
Cam Viewer settings  
Live View

See next page for Menu information.

#### 2. Record button

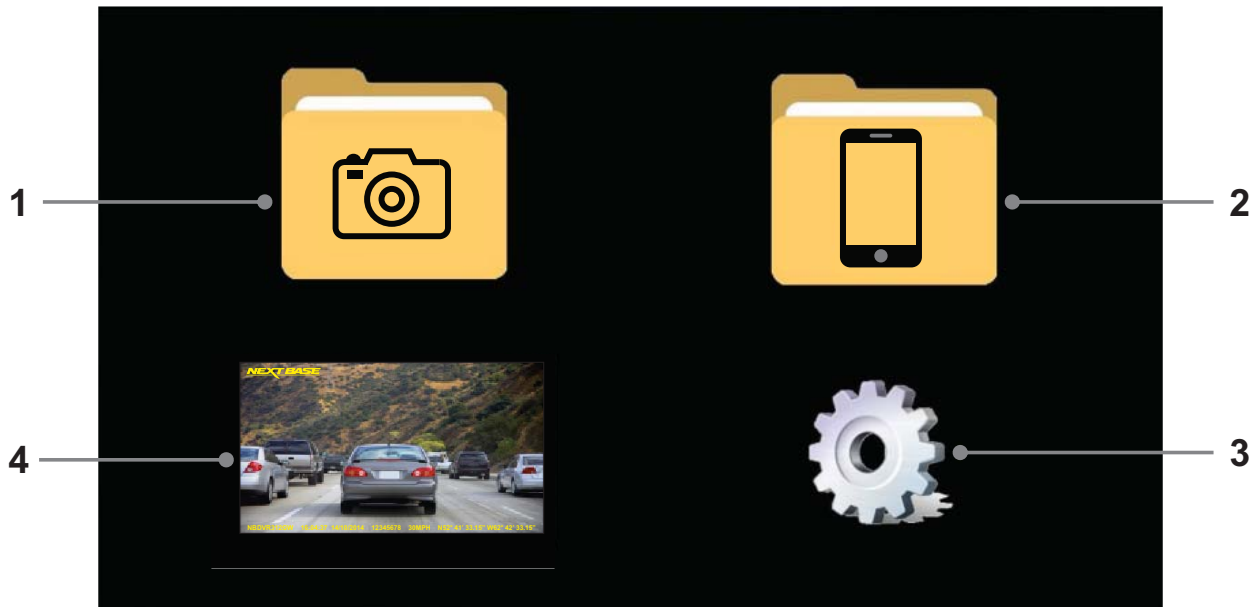
Tap here to start and stop a video recording or take a photo, dependent on which mode is currently selected.

#### 3. Video / Photo Mode button

Tap here to select either Video or Photo mode as required.

**WIFI APPLICATION FOR SMARTPHONES & TABLETS (CONTD.)****Menu screen**

From within the Menu screen you can select Live View, view recordings from either the iN-CAR CAM or files that have been downloaded to your device and also access the Settings menu.

**1. Files on the iN-CAR CAM**

Tap here to view files that are currently available from the connected iN-CAR CAM.

**2. Files on your device**

Tap here to open the folder containing files that have been copied from the iN-CAR CAM to your device.

**3. Settings**

About:

View the Cam Viewer version number.

Download Path:

View the storage location of files downloaded to your device from the iN-CAR CAM.

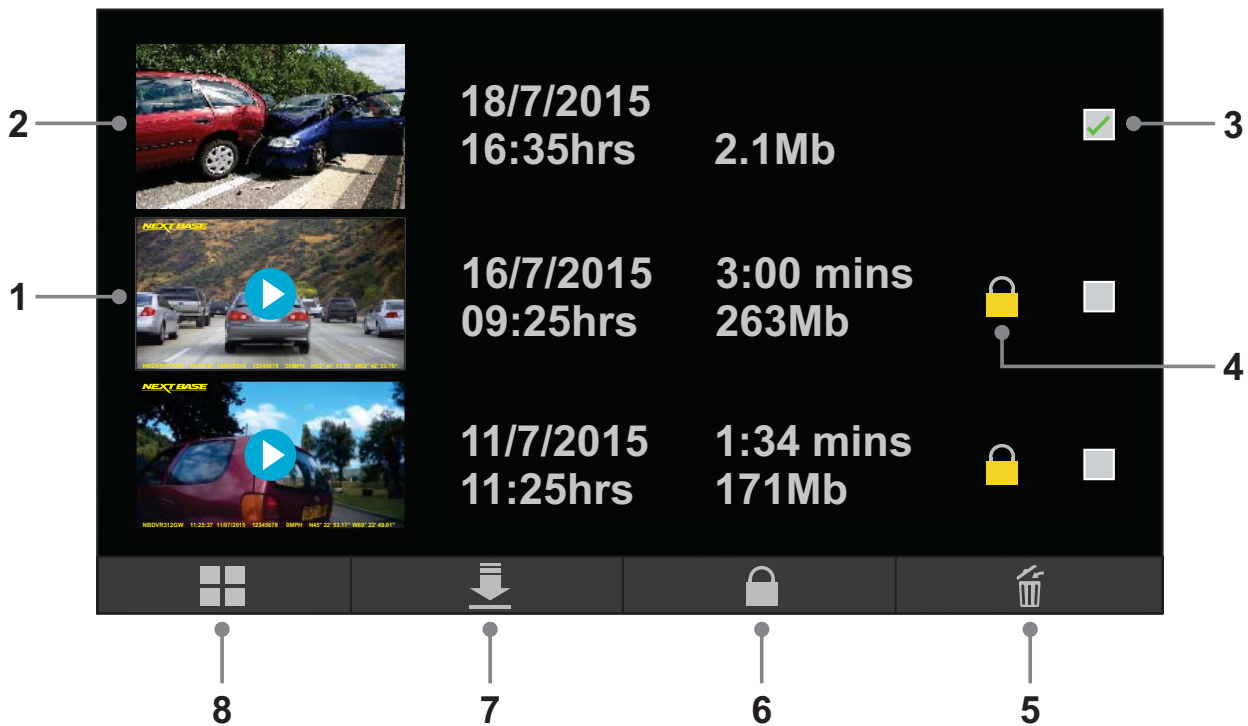
**4. Live View**

Tap here to open the Live View window.

**WIFI APPLICATION FOR SMARTPHONES & TABLETS (CONTD.)**

**Viewing files from the iN-CAR CAM**

The key below explains the various information displayed on the screen when using Cam Viewer to view recorded files.



**1. Photo File**

The image above shows a single photo file within the Preview window, the top item

**2. Video File**

The image above shows two video files within the Preview window, this includes additional information for recording length and the playback icon , which is seen upon the video file.

Once the playback icon has been pressed the playback window will open, see page 40 for further details.

**3. Tick Box**

Tap here to add tick to the box, this will select the file to be either saved to your device, protected or deleted as required.

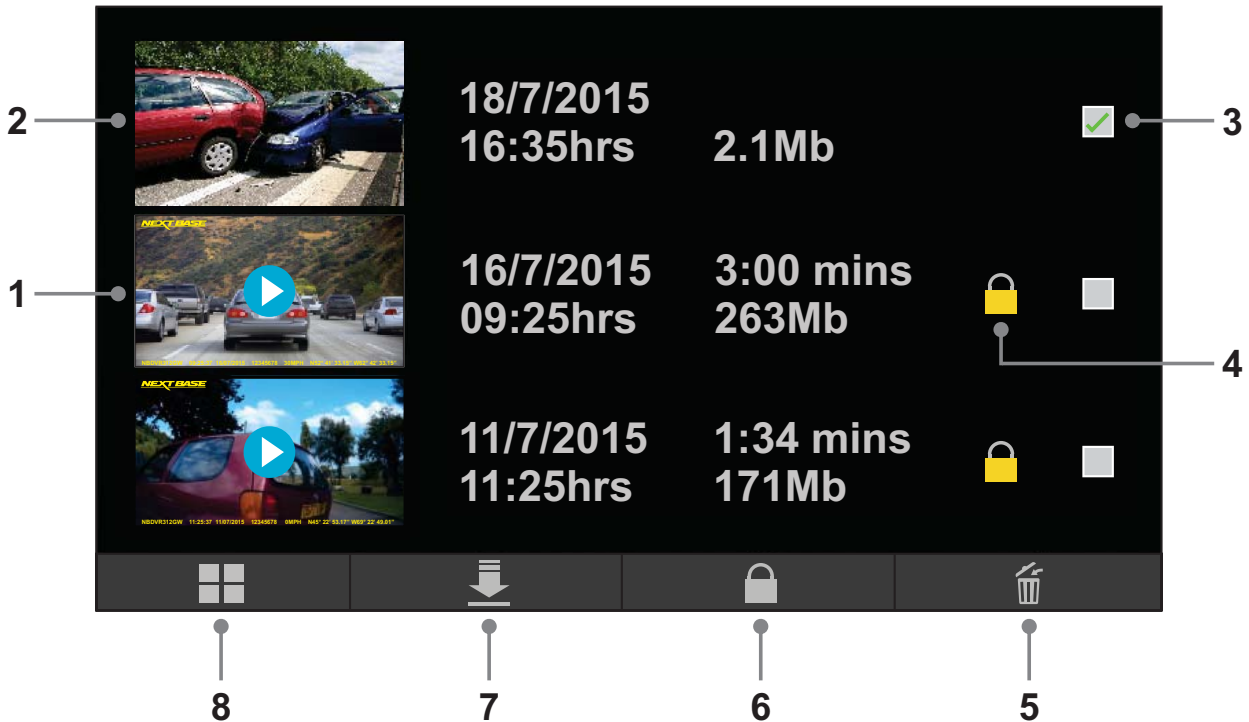
Press a second time to deselect.

**4. Protected File**

The 'padlock' icon will be present when the file is 'protected'.

**WIFI APPLICATION FOR SMARTPHONES & TABLETS (CONTD.)**

Viewing files from the iN-CAR CAM (continued)

**5. Delete button**

Tap here to delete the selected file.

**6. Protect button**

Tap here to protect or unprotect the selected file.

**7. Download button**

Tap here to download the selected file to your device.

Note:

- Although it is possible to download multiple files, doing so will increase the download time significantly.

**8. Menu button**

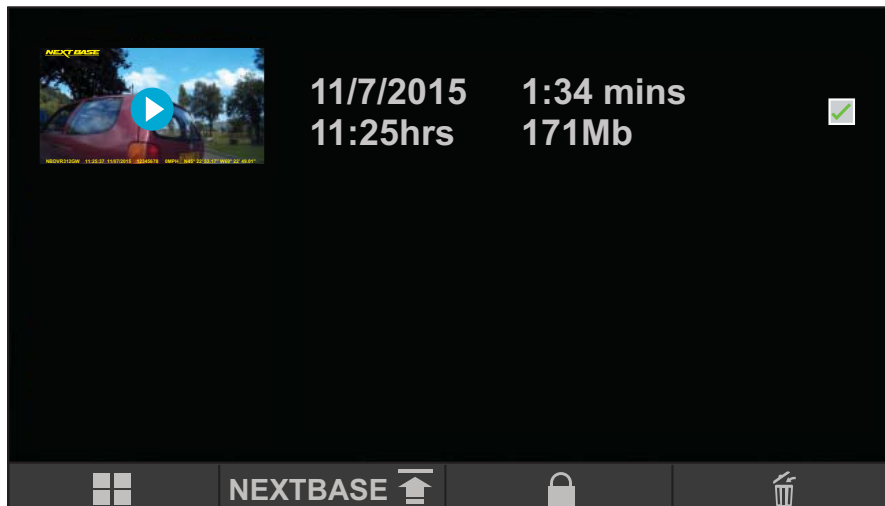
Tap here to open the Menu window.

**WIFI APPLICATION FOR SMARTPHONES & TABLETS (CONTD.)****Viewing files that have been saved to your device**

Once files have been copied from the iN-CAR CAM to your device the playback functions are the same as when files are viewed direct from the iN-CAR CAM.

However, there is the additional option to upload the recording to a secure server and then provide a 'link' to the uploaded recording that can be emailed to your insurance company or friends.

This makes the provision of recorded evidence to your insurance company very simple, with four easy steps.



**Upload button**

**Step 1:**

Disconnect your mobile device from the iN-CAR CAM Wifi connection and reconnect to your normal home or office Wifi connection.

**Step 2:**

Use the tick box to select the file you wish to upload.

Note:

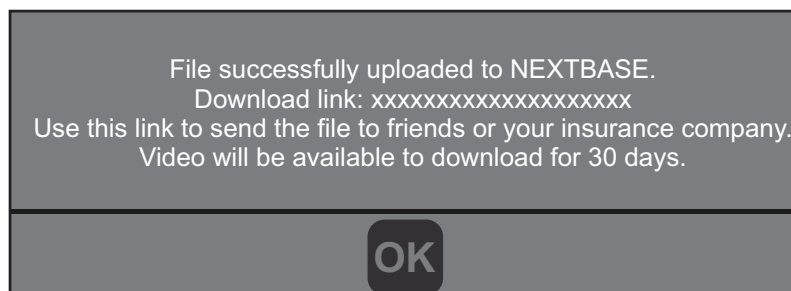
- Only one file can be uploaded at a time

**Step 3:**

Tap the NEXTBASE button to start upload, this may take some time due to depending on the speed of your internet connection.

**Step 4:**

A confirmation window will open once the upload is complete, within this window will be link that can be sent to your insurance company.



**WIFI APPLICATION FOR SMARTPHONES & TABLETS (CONTD.)****Playback of video files**

Once a recording has been selected for playback by pressing the playback icon, the screen below will open.

**1. Progress Bar**

Displays the video duration and current playback location within the recording.

**2. Back button**

Tap here to return to the previous screen / menu.

**3. Play / Pause button**

Tap here start playback or pause playback.

**4. Full Screen button**

Tap here to open the playback window full screen.



## PLAYBACK SOFTWARE FOR WINDOWS

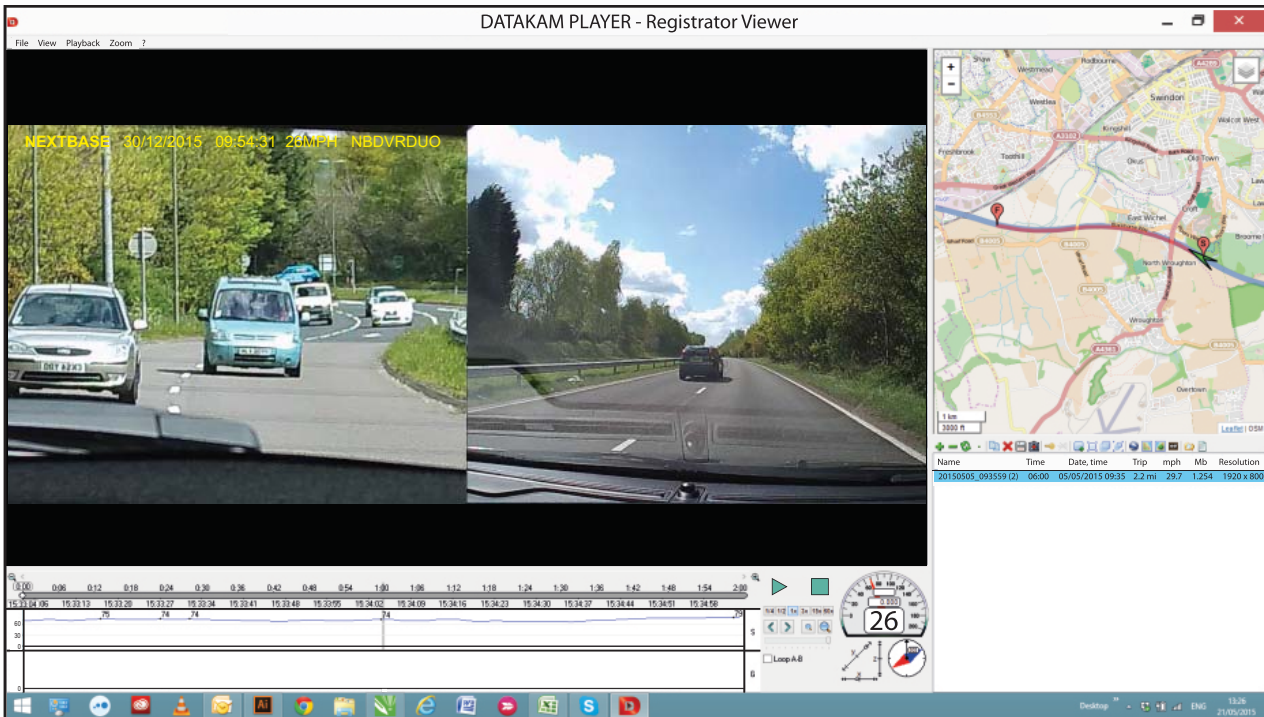
This section will guide you through using the supplied playback software, enabling the viewing of recorded files as well as checking journey route and GPS data (location and speed) information.

### Minimum system requirements:

Operating System: Windows XP, Vista, Windows 7, Windows 8 (x32 / x64)

Processor (CPU): Pentium III 500 MHz or Celeron at 800 MHz

Windows player:



Insert the supplied disk in to the CD drive, navigate to the disk and display the contents:

- NBDVR312GW Instruction Manual
- Playback Software (Mac)
- Playback Software (Windows)

Open the 'Playback Software (Windows)' folder, copy and paste or drag and drop the DATAKAM PLAYER.exe file to your desktop, simply double click to open the player.

There is no complicated installation procedure required.

See the following pages for information on how to use the playback software's basic functions.

'Datakam' is a registered trademark of DATAKAM Technology Co., Ltd. in the Russian Federation and other countries.

'Registrator Viewer' playback software is created and distributed by Vadikus Production © 2014, whom remain the copyright owner.

**Should you experience any difficulties during installation please do not hesitate to call our English speaking technical support team on +44 (0)2920 866429, lines are open during normal business operating hours: 09:00-17:30hrs.**

## PLAYBACK SOFTWARE FOR WINDOWS (CONTD.)

### Using the player:

Connect the iN-CAR CAM to your computer using the supplied USB cable, select Mass Storage and press 'OK' (upon the iN-CAR CAM).

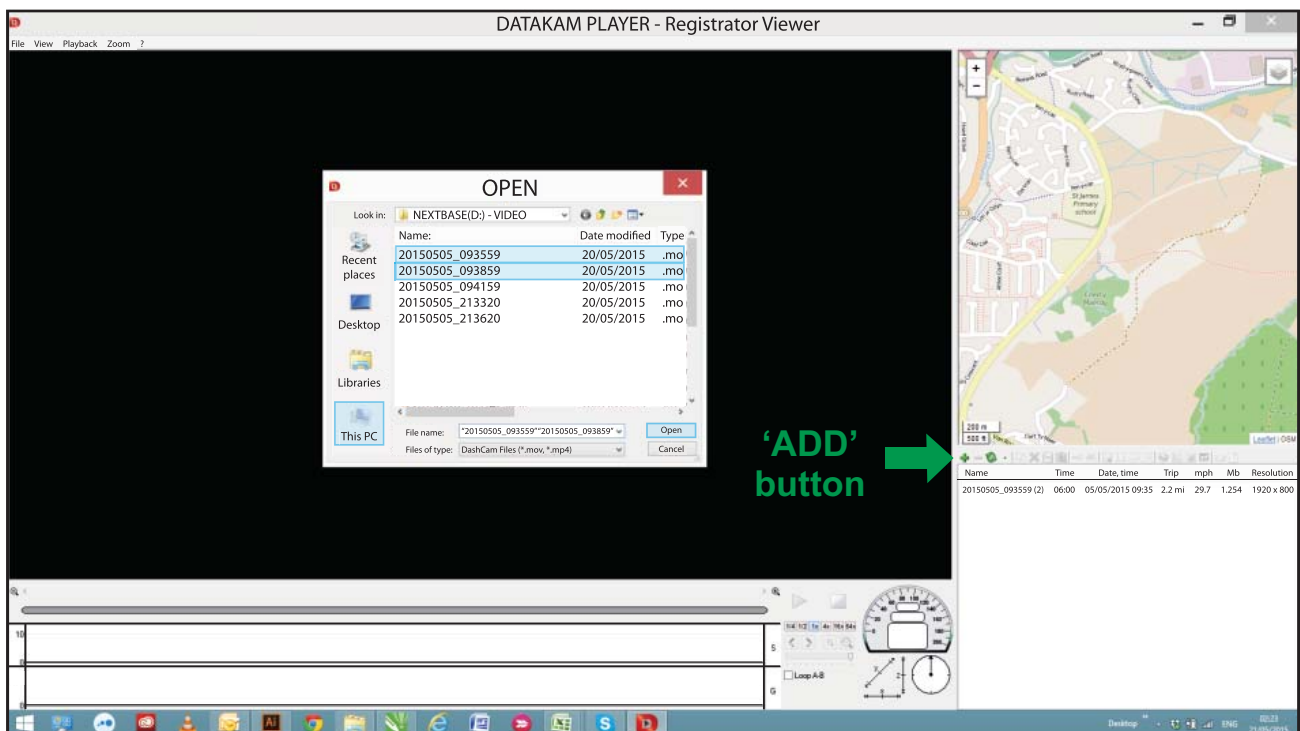
Once connected, the memory card which is labeled 'NEXTBASE' and its contents will be available to view upon your PC, as a new drive, when using Windows explorer.

Close any pop up messages and/or any media players which may automatically open when video or photo files stored upon a memory card are detected.

The alternative method to access the recorded files is to remove the MicroSD Card from your iN-CAR CAM and using a suitable MicroSD adaptor insert it directly to the card reader on your PC. The files are then visible using Windows explorer as normal.

Open the player by double-clicking on the DATAKAM PLAYER icon which you placed on your desktop.

To add videos for viewing with the player click on the green '+' button, this will open a new window allowing you to locate the required video files, see image below.



The SD card will have been renamed as 'NEXTBASE', so you can see it easily. The video recordings are in the 'Video' directory.

Once you have opened the video directory, select the required video clip recordings and click 'Open' to add the files to the players play list.

### Note:

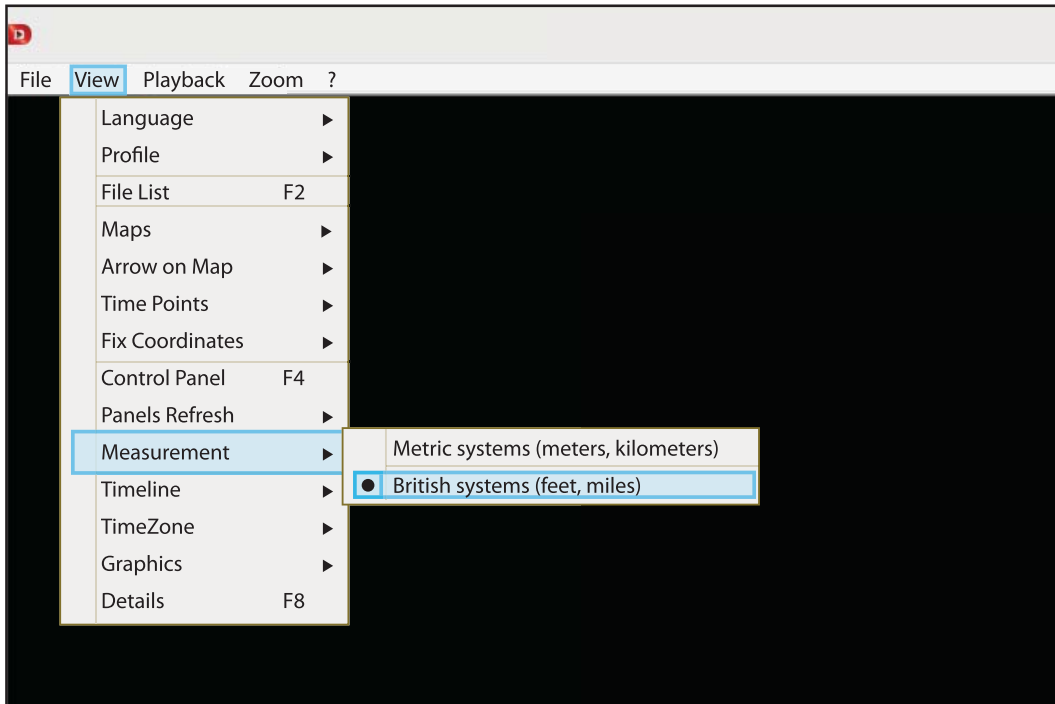
- The player will group files from the same journey into a single entry within the file list window.
- Not all functions and features of the supplied playback software may be available, this is due to the player being 'open-source' and for use across a wide range of devices from various manufacturers.

See next page for instructions on using the player.

**PLAYBACK SOFTWARE FOR WINDOWS (CONTD.)**

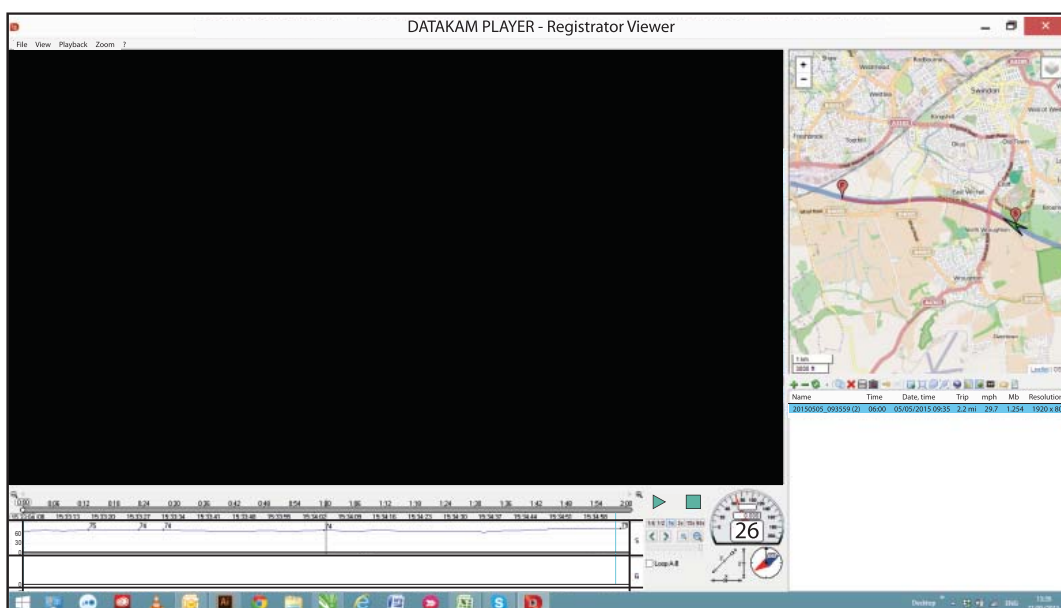
**Select MPH or KMH:**

The Player can be set to display speed in either MPH or KMH. The player should use the same speed measurement type as used on the iN-CAR CAM. To make any changes, simply click 'View' in the top left of the window, select 'Measurement' and then click on 'British systems (feet, miles)' or 'Metric systems (meters, kilometers)' as required, see image below.



**Playback:**

Highlight the recordings / journey that you want to view, the player will then update with information for that journey, for example the map will show the route and speed data will be displayed, see image below.

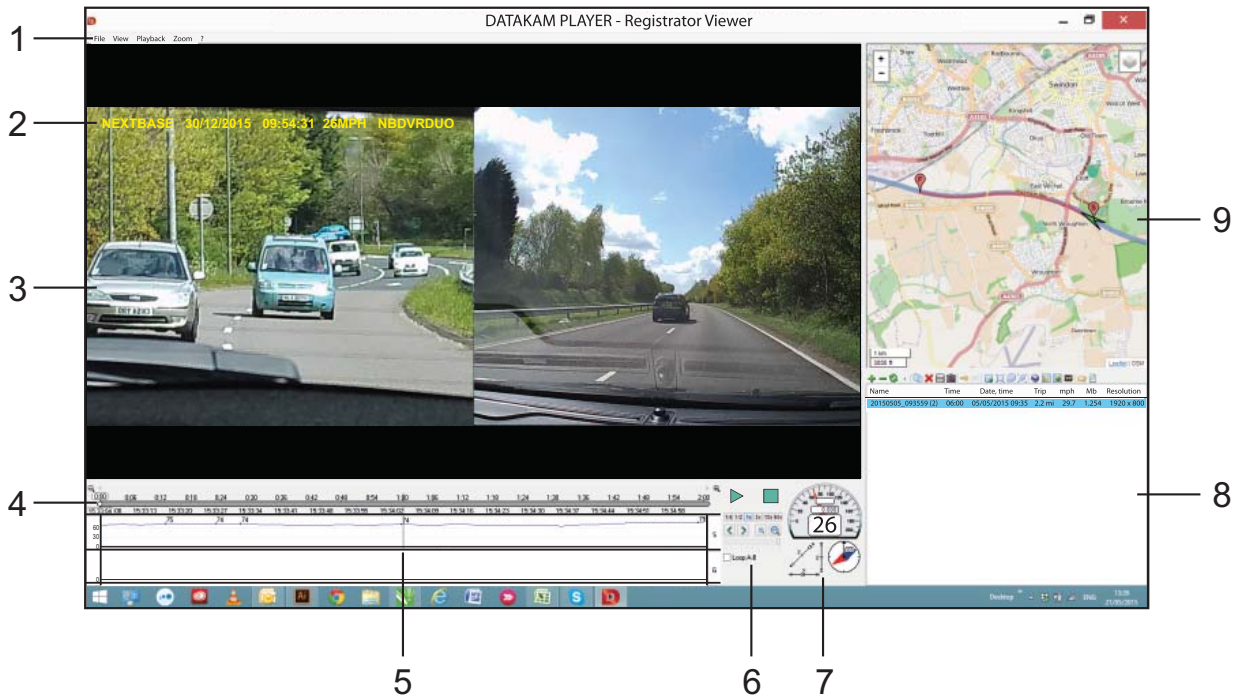


The play, pause and stop controls are now available, click on the play button to start playback.

**PLAYBACK SOFTWARE FOR WINDOWS (CONTD.)**

**Basic features and controls**

The information given below outlines the basic features and controls of the player.



**1. Player settings**

- File: Browse for files stored on your computer
- View: Player settings
- Playback: Advanced playback controls
- Zoom: Advanced zoom controls
- ?: Registrator Viewer Help information

**2. NEXTBASE logo / Date & Time / Speed / Model stamps**

This is the data saved upon the recorded file itself. Content will vary depending on iN-CAR CAM settings and the availability of GPS signal during recording.

**3. Playback window of selected video file**

View current video, to make full screen double-click on the playback window. To zoom in or out roll your mouse wheel (if you have one).

**4. Duration and time of recording**

Shows a timeline of the recordings made.

**5. Speed data**

The Speed data for the current recording are displayed here. The graphics which are displayed can be modified by right-clicking and selecting which information is displayed.

Note:

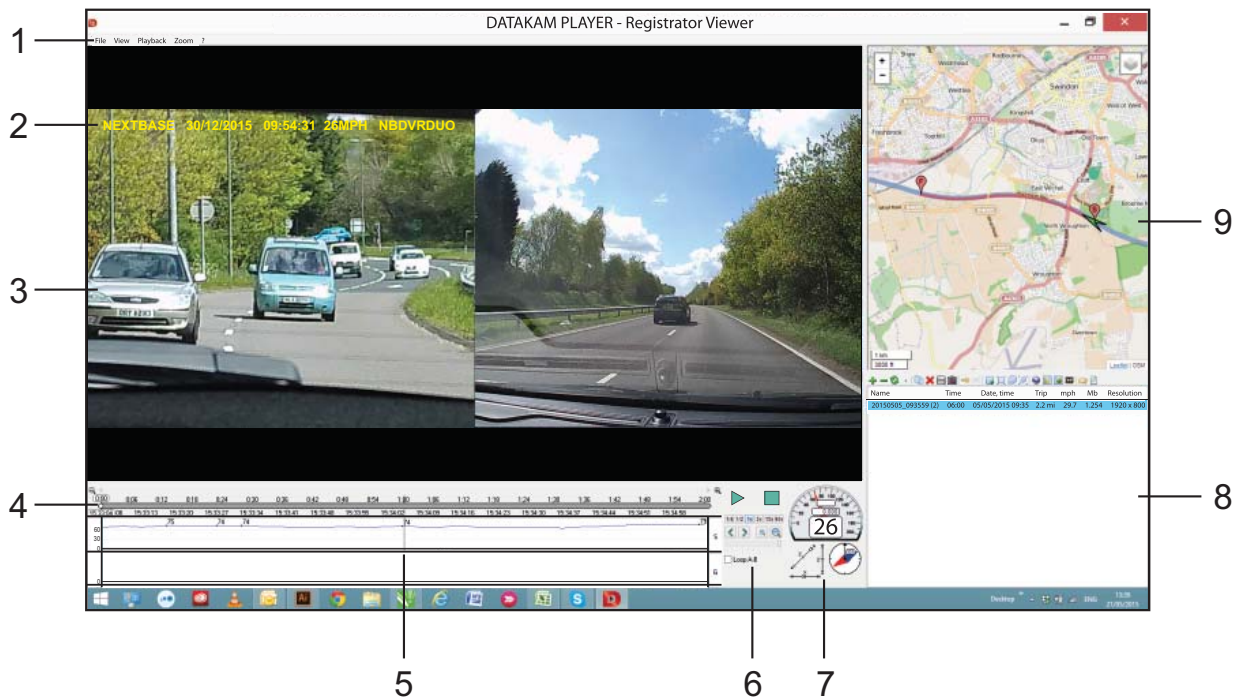
- G Sensor data is not available.

**6. Playback controls**

Playback controls for Play, Pause, Stop, Playback speed, frame by frame stepping, zoom and loop functions.

**PLAYBACK SOFTWARE FOR WINDOWS (CONTD.)**

**Basic features and controls continued**



**7. Speed**

Displays speed.

**8. Play list**

Displays videos currently within the play list.

Note:

- Videos are NOT imported here, but listed for playback from their original source location

**9. Map**

Displays route travelled on map, only available when the video was recorded when a satellite connection was present.

Note:

- Additional information is available from the Registrator Viewer website:

[http://www.registratorviewer.com/features\\_en.html](http://www.registratorviewer.com/features_en.html)

- Within the 'File' menu is a 'Reset All Settings', this will reset the player to default settings.

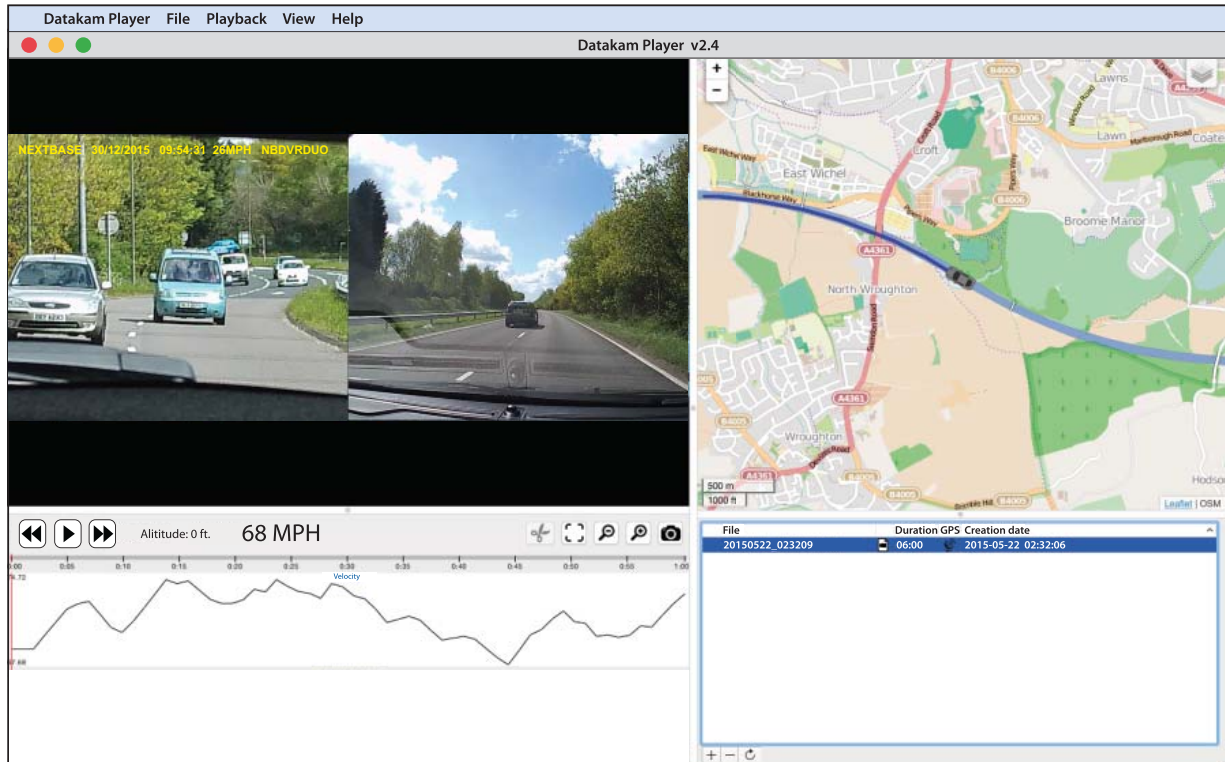
## PLAYBACK SOFTWARE FOR MAC

This section will guide you through using the supplied playback software, enabling the viewing of recorded files as well as checking journey route and GPS data (location and speed) information.

### Minimum system requirements:

OS X 10.7 and above

Mac player:



Insert the supplied disk in to the CD drive, navigate to the disk and display the contents:

- NBDVR312GW Instruction Manual
- Playback Software (Mac)
- Playback Software (Windows)

Open the 'Playback Software (Mac)' folder, copy and paste or drag and drop the DATAKAM PLAYER application to your desktop, simply double click to open the player.

There is no complicated installation procedure required.

See the following pages for information on how to use the playback software's basic functions.

'Datakam' is a registered trademark of DATAKAM Technology Co., Ltd. in the Russian Federation and other countries.

'Registrator Viewer' playback software is created and distributed by Vadikus Production © 2014, whom remain the copyright owner.

**Should you experience any difficulties during installation please do not hesitate to call our English speaking technical support team on +44 (0)2920 866429, lines are open during normal business operating hours: 09:00-17:30hrs.**

**PLAYBACK SOFTWARE FOR MAC (CONTD.)**

**Using the player:**

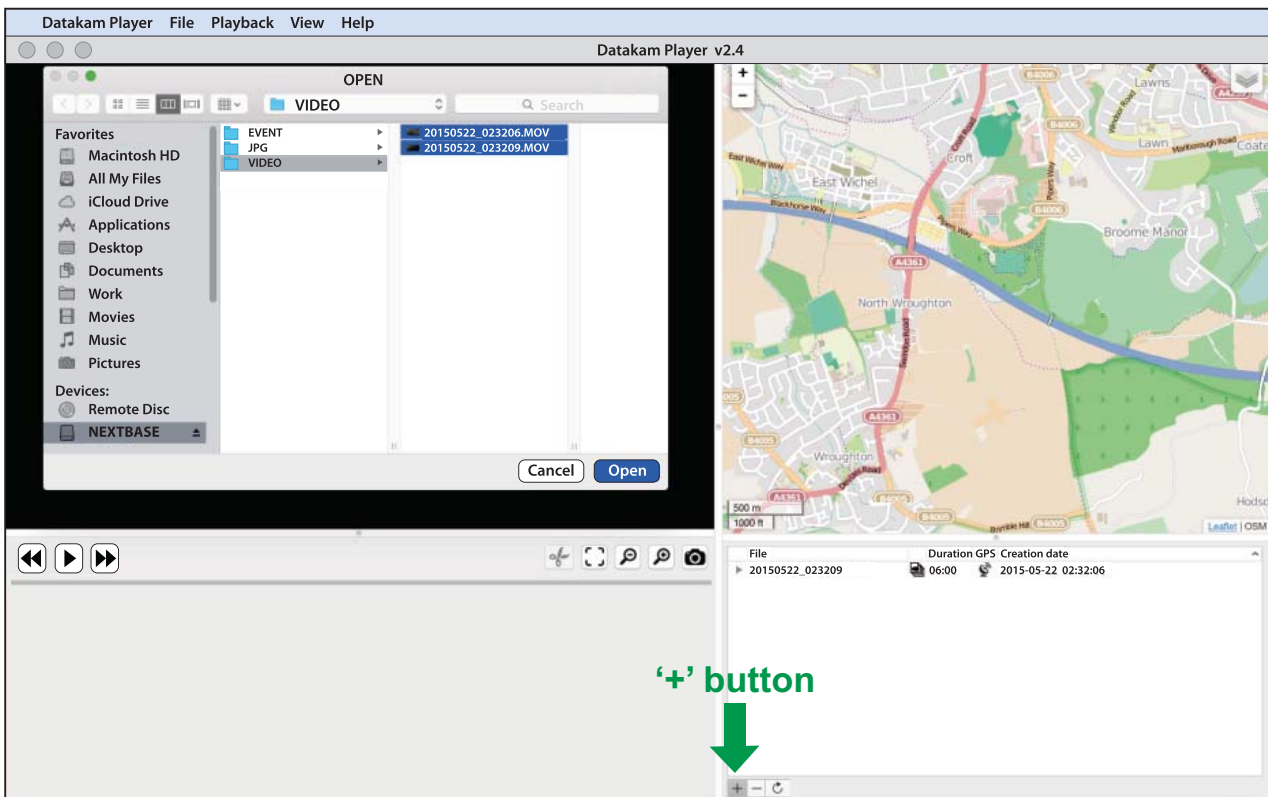
Connect the iN-CAR CAM to your computer using the supplied USB cable, select Mass Storage and press 'OK' (upon the iN-CAR CAM).

Once connected, the memory card which is labeled 'NEXTBASE' and its contents will be available to view upon your Mac, as a new drive.

The alternative method to access the recorded files is to remove the MicroSD Card from your iN-CAR CAM and using a suitable MicroSD adaptor insert it directly to the card reader on your Mac.

Open the player by double-clicking on the DATAKAM PLAYER icon which you placed on your desktop.

To add videos for viewing with the player click on the ADD '+' button, this will open a new window allowing you to locate the required video files, see image below.



The SD card will have been renamed as 'NEXTBASE', so you can see it easily. The video recordings are in the 'Video' directory.

Once you have opened the video directory, select the required video clip recordings and click 'Open' to add the files to the players play list.

**Note:**

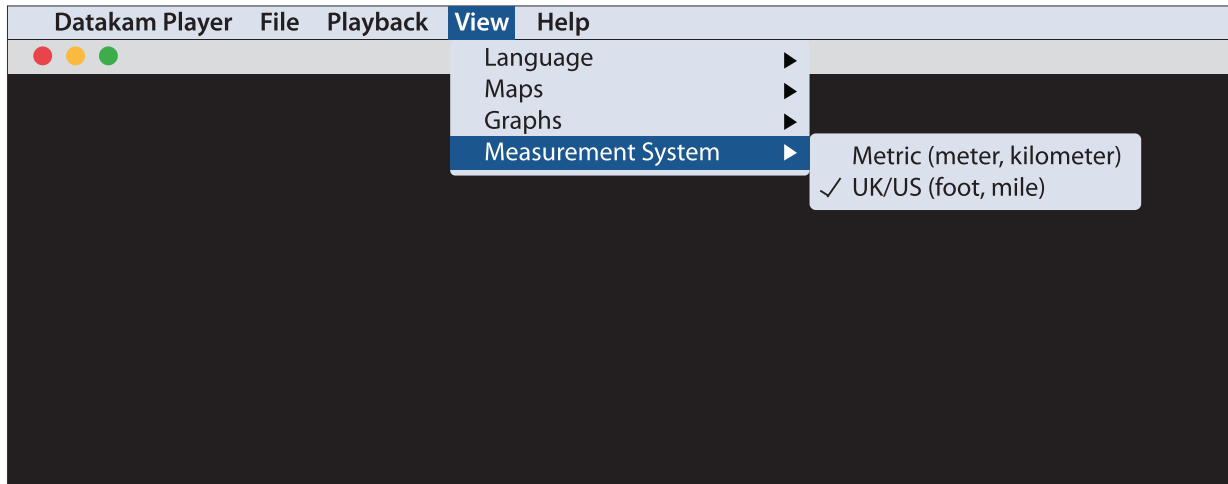
- The player will group files from the same journey into a single entry within the file list window.
- Not all functions and features of the supplied playback software may be available, this is due to the player being 'open-source' and for use across a wide range of devices from various manufacturers.

See next page for instructions on using the player.

## PLAYBACK SOFTWARE FOR MAC (CONTD.)

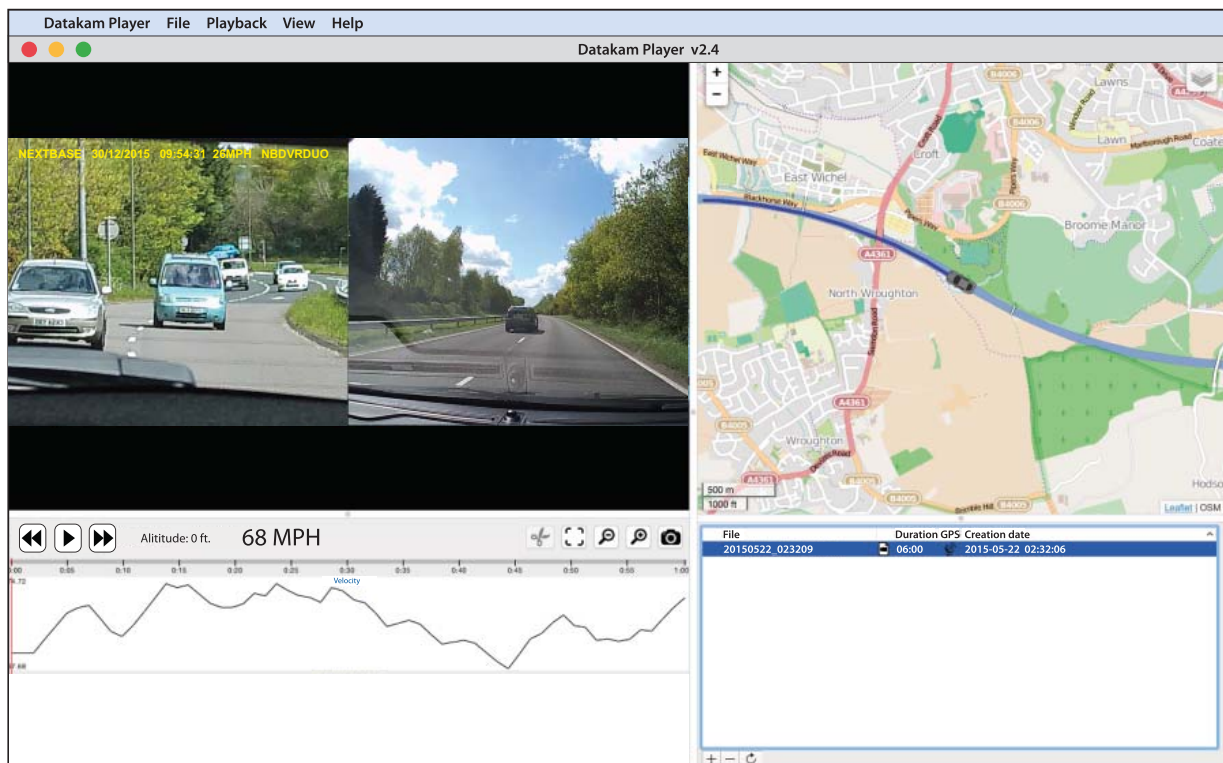
### Select MPH or KMH:

The Player can be set to display speed in either MPH or KMH. The player should use the same speed measurement type as used on the iN-CAR CAM. To make any changes, simply click 'View' in the top left of the window, select 'Measurement System' and then click on 'UK/US (feet, mile)' or 'Metric (meter, kilometer)' as required, see image below.



### Playback:

Highlight the recordings / journey that you want to view, the player will then update with information for that journey, for example the map will show the route and speed data will be displayed, see image below.



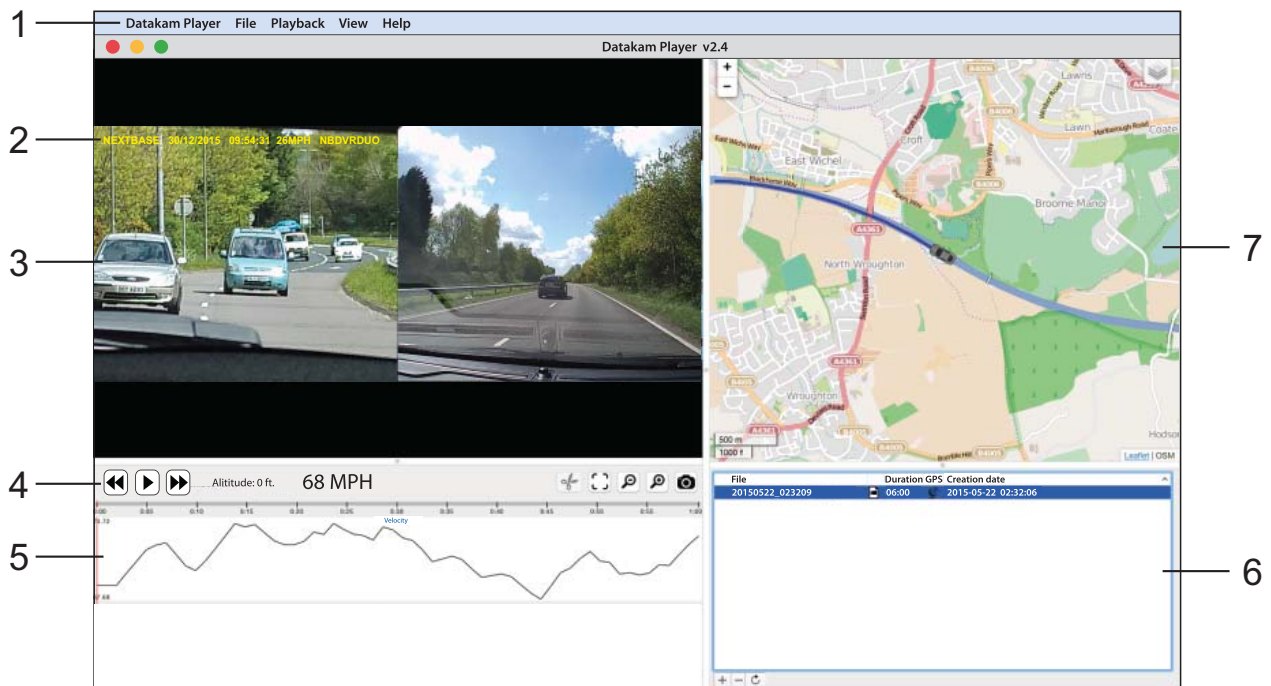
Click the play button to start playback.



## PLAYBACK SOFTWARE FOR MAC (CONTD.)

### Basic features and controls

The information given below outlines the basic features and controls of the player.



#### 1. Player settings

- Datakam Player: Player information
- File: Browse for files stored on your computer
- Playback: Advanced playback controls
- View: Player settings
- Help: Search / view the help menu for the player operation

#### 2. NEXTBASE logo / Date & Time / Speed / Model stamps

This is the data saved upon the recorded file, content will vary depending iN-CAR CAM settings and the availability of GPS signal during recording.

#### 3. Playback window of selected video file

View current video, to make full screen double-click on the playback window. To zoom in or out roll your mouse wheel (if you have one).

#### 4. Playback controls

Basic playback controls for Play, Pause, fast forward and rewind.

#### 5. Speed data

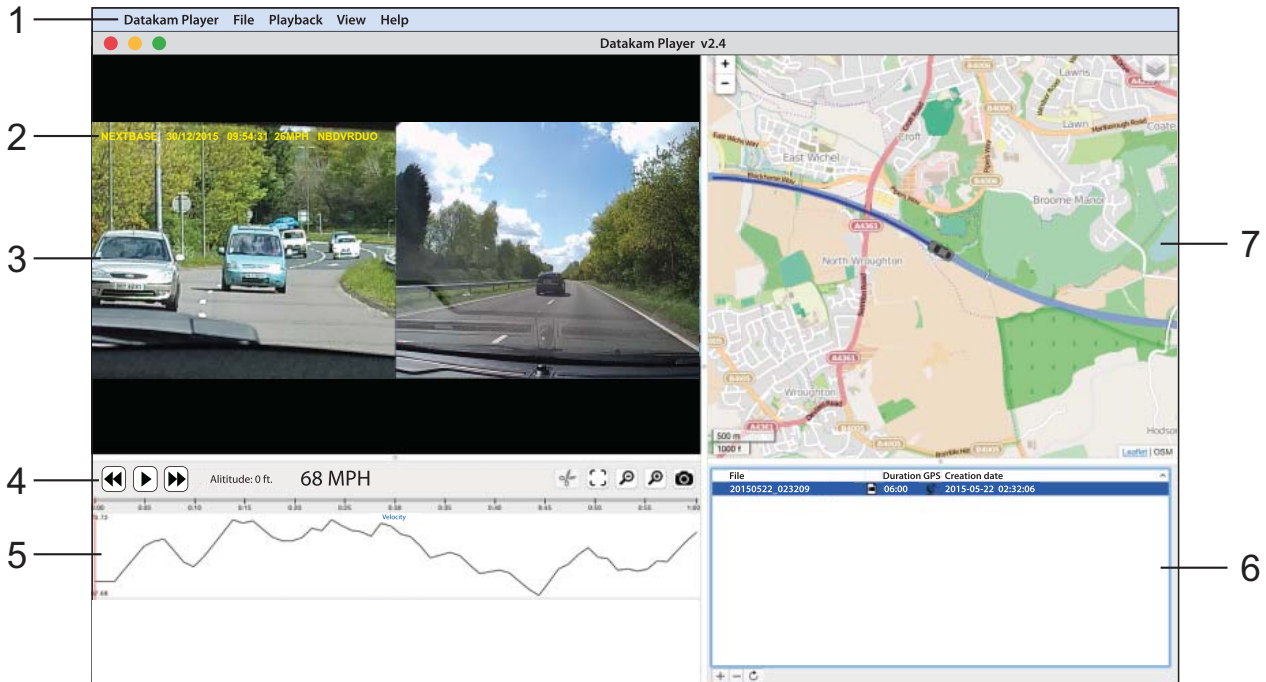
The Speed data for the current recording are displayed here. The graphics which are displayed can be modified by right-clicking and selecting which information is displayed.

Note:

- G Sensor data is not available.

**PLAYBACK SOFTWARE FOR MAC (CONTD.)**

**Basic features and controls continued**



**6. Play list**

Displays videos currently within the play list.

Note:

- Videos are NOT imported here, but listed for playback from their original source location.

**7. Map**

Displays route travelled on map, only available when the video was recorded when a satellite connection was present.

Note:

- Additional information is available from the Registrator Viewer website:

[http://www.registratorviewer.com/features\\_en.html](http://www.registratorviewer.com/features_en.html)

- Within the 'File' menu is a 'Reset All Settings', this will reset the player to default settings.

## TROUBLE SHOOTING

PROBLEM	SOLUTION
Video Image is blurred.	Remove the protective lens cover, clean the lens, clean the windscreen!
I can not insert the Micro SD card.	Micro SD card are very small and require delicate use. Align the card with the diagram shown upon the iN-CAR CAM and insert the card until you feel a slight spring resistance. You now need to push the card, using your finger nail, until you hear and feel a small latch. Release pressure and the card will stay retained within the device. Use the edge of a small coin if you have difficulty.
I can not remove the Micro SD card.	With the card previously installed, you now need to push the card further inwards slightly, using your finger nail, until you hear and feel a small latch. Use the edge of a small coin if you have difficulty. Release pressure and the card will spring out sufficiently for you to take hold of it.
Video files can not be played.	The video files from the iN CAR CAM are in MOV format and may not be compatible with your PC if suitable playback software is not installed.
Video file playback is jumpy.	Remove the SD card and reformat to remove non-contiguous files. For best recording use a branded class 10 type (30MB/s) or UHS type 1 micro SD card of 8 to 32GB recommended size. PC may not be sufficient for the playback task, try a different PC. Copy the recorded video files onto the PC / Mac for playback directly rather than use the iN-CAR CAM as a card reader, as the USB system on your PC may be too slow for HD video playback..
The sound is not synchronised with video during playback.	The Codecs upon your PC may not be compatible or the latest standard. Download the latest Codecs from: <a href="http://www.nextbase.co.uk">www.nextbase.co.uk</a>
Video has no sound.	Ensure that "Record Audio" setting is turned ON within the Video Menu.
Photograph is blurred.	Hold the camera still whilst taking the photo. Please be aware the photo is taken around 1 second after the shutter noise is heard.
I can only record a few minutes of video on my Micro SD card.	Change the recording size (Video Length function) to a smaller size. Increase the size of the MicroSD card. Max 32GB.
Mass Storage or PC Camera function does not work.	The Mass storage function will work on both Windows and Mac. Restart the PC, as this may be required for the necessary driver to be loaded correctly. Disconnect and reconnect the In-CAR CAM. Contact NEXTBASE for the required driver.
I cannot save files to the memory card when the iN-CAR CAM is connected to my computer under Mass Storage mode.	Correct, the iN-CAR CAM is a 'read-only' device. It is not recommended to save files from other sources to the same memory that you will use for recording within the iN-CAR CAM, as these may have a negative effect on the performance of the iN-CAR CAM.
The sucker will not stay in place upon my windscreen.	Ensure that the protective cover (plastic film) has been removed from the suction pad. Moisten the sucker slightly before affixing upon the windscreen. Ensure that the locking lever is fully closed. Make sure that the glass is smooth and clean. Do not stick to glass that has any non-smooth effect or paint whatsoever. Affix to the glass firmly and then close the locking lever fully.

**TROUBLE SHOOTING (CONTD.)**

PROBLEM	SOLUTION
My iN-CAR CAM shuts down by itself after a while.	Either the battery has gone flat, or there is no power to the iN-CAR CAM and the AutoPower Off period has been triggered.
No power to my iN-CAR CAM, but it works upon my PC.	The cigarette power cable is not working. Inspect the fuse in the Car Power plug. Replacement fuse = 2A 32mm type. If the fuse is found to be blown, inspect the power cable for damage which may have caused the fuse blow.
The SD card in my iN-CAR CAM cannot be read.	Use a good quality branded SD card between 8GB and 32GB (Class 10 or UHS type 1) and format the card from within the Setup menu.
I can't delete files on my SD card within the iN-CAR CAM.	Check to see if these files are 'protected', if so please follow instructions to 'un-protect'.
The screen blanks after a few minutes upon my iN-CAR CAM.	The screen saver is set to ON. Change settings to OFF if required. Default setting is off.
I get the message "Cluster size wrong. Please format SD card" on screen.	The SD card has been formatted in another device and the Cluster Size is not compatible. Use the Setup option to re-format the SD card from within the iN-CAR CAM.
The battery will not charge.	Ensure the iN-CAR CAM is connected to a reliable power source and that the supplied Car Power Cable is being used, with the Green LED lit.
The battery only last 30 seconds.	The battery will only receive charge when the iN-CAR CAM is connected to power, please reconnect the car adaptor and leave the iN-CAR CAM turned on. Charging takes approximately 90 minutes and a full charge is indicated when the BLUE (charging) LED goes out.
The battery only lasts 6 minutes.	This is normal, the battery design allows the 'Auto Power Off' feature to function in event of power loss within the vehicle. It is not intended as an alternative power source to replace the supplied car adaptor.
I get the message "Card Error" on screen.	The SD card has become unusable by the iN-CAR CAM. Remove useful files using your PC and then perform a "FORMAT" upon the SD card from within iN-CAR CAM the Setup Menu.
I get the message "Card Full" on screen.	The SD card has become full as there may be too many protected files which will not be deleted to allow for further recording to take place. Delete unnecessary files or perform a full FORMAT upon the SD card from within the iN-CAR CAM Setup Menu.
The AV Out from my iN-CAR CAM just buzzes on my TV.	Ensure that the AV cable is correct. Use a stereo 2.5mm jack plug where the tip is the video and the ring is the audio signal. Please visit: <a href="http://nextbaseshop.co.uk">nextbaseshop.co.uk</a> to purchase the correct AV Cable (PN: NBDVR212-AVC).
I have turned on 'Parking Mode' and now can't stop the recording.	The iN-CAR CAM will start a recording whenever motion is detected. To turn off Parking Mode firstly shutdown the iN-CAR CAM and remove the SD card, this will avoid recording being activated accidentally. Switch the iN-CAR CAM On and within the Setup Menu, turn off the 'Parking Mode'.

## TROUBLE SHOOTING (CONTD.)

PROBLEM	SOLUTION
When I press the MENU button nothing happens.	This is normal during recording. Stop the recording before pressing the MENU button. If recording re-starts before you can press MENU, then see the Parking Mode section above.
Downloading files from <a href="http://www.nextbase.co.uk">www.nextbase.co.uk</a> using Google Chrome results in a Malicious Software message.	This is not a cause for concern, simply go to the settings within Google Chrome and turn off the malicious software protection temporarily to download and install the playback software. Reinstate previous Google Chrome settings thereafter.
The iN-CAR CAM can not lock onto satellite.	After power on and with the device mounted with clear view of the sky it can take up to 10 minutes to find the three satellites required to achieve a stable signal. Reception can also be affected by atmospheric conditions and the proximity of buildings / trees obscuring the sky.
The date & time on my iN-CAR CAM do not adjust for Daylight Savings time (Summer time).	Correct. Adjust the Daylight Savings Time (Summer Time) option manually from with the SETUP. Go to Time Zone / DST and select GMT +1.00 for British Summer Time, as an example.
After I manually set the Time correctly upon my iN-CAR CAM, it adjusts itself by one hour to the wrong time shortly afterwards.	The iN-CAR CAM is obtaining the correct date and Time from the Satellite and this is always Greenwich Mean Time (GMT). If you are in a country which uses a different time zone, or need to set for Daylight Savings Time (Summer Time), adjust the option manually from with the SETUP. Go to Time Zone / DST and select GMT +1.00 for British Summer Time, as an example.
Datakam Playback software problems.	Use the Software option of "File" and then "Reset all settings" to restore the default settings.
My Mobile Device will not connect to my camera.	Please ensure that you have turned the iN-CAR CAM WiFi Mode on by either using the WiFi button or through the Settings Menu. When Wifi Mode is turned on the screen of the iN-CAR CAM will display the Network Name and Password. This password is case sensitive.
The NEXTBASE Cam Viewer app will not open.	Please uninstall the NEXTBASE Cam Viewer app and re-download again from your devices App Store.
When I open the NEXTBASE Cam Viewer App I get a message saying 'Please Check Device'.	Ensure that the in-CAR CAM is in WiFi Mode and that your mobile device has connected to the iN-CAR CAM WiFi connection.
When I try to play back a file from my iN-CAR CAM I get a message saying 'Buffering' but the video does not load.	Please restart your mobile device and reconnect to the iN-CAR CAM WiFi connection. Then re-open the Cam Viewer App.
Unresolved issues.	Reset the iN-CAR CAM to the default settings within the Setup Menu and try again. Should the problem persist call the helpline (02920) 866429 or email: <a href="mailto:support@nextbase.co.uk">support@nextbase.co.uk</a>

### FCC Statement:

This device complies with part 15 of the FCC Rules. Operation is subject to the following

two conditions: (1) This device may not cause harmful interference, and (2) this device

must accept any interference received, including interference that may cause undesired operation.

This equipment has been tested and found to comply with the limits for a Class B digital device, pursuant to part 15 of the FCC Rules. These limits are designed to provide reasonable protection against harmful interference in a residential installation. This equipment generates, uses and can radiate radio frequency energy and, if not installed and used in accordance with the instructions, may cause harmful interference to radio communications. However, there is no guarantee that interference will not occur in a particular installation. If this equipment does cause harmful interference to radio or television reception, which can be determined by turning the equipment off and on, the user is encouraged to try to correct the interference by one or more of the following measures:

- Reorient or relocate the receiving antenna.
- Increase the separation between the equipment and receiver.
- Connect the equipment into an outlet on a circuit different from that to which the receiver is connected.
- Consult the dealer or an experienced radio/TV technician for help.

Caution: Any changes or modifications not expressly approved by the party responsible for compliance could void the user's authority to operate the equipment.

# ***NEXTBASE***

[www.nextbase.co.uk](http://www.nextbase.co.uk)

