

Justification statement for Antenna

To: Federal Communication Commission
 Equipment Authorization Branch
 7435 Oakland Mills Road
 Columbia, MID 21046

Regarding: FCC ID: 2AOU9-QLO2

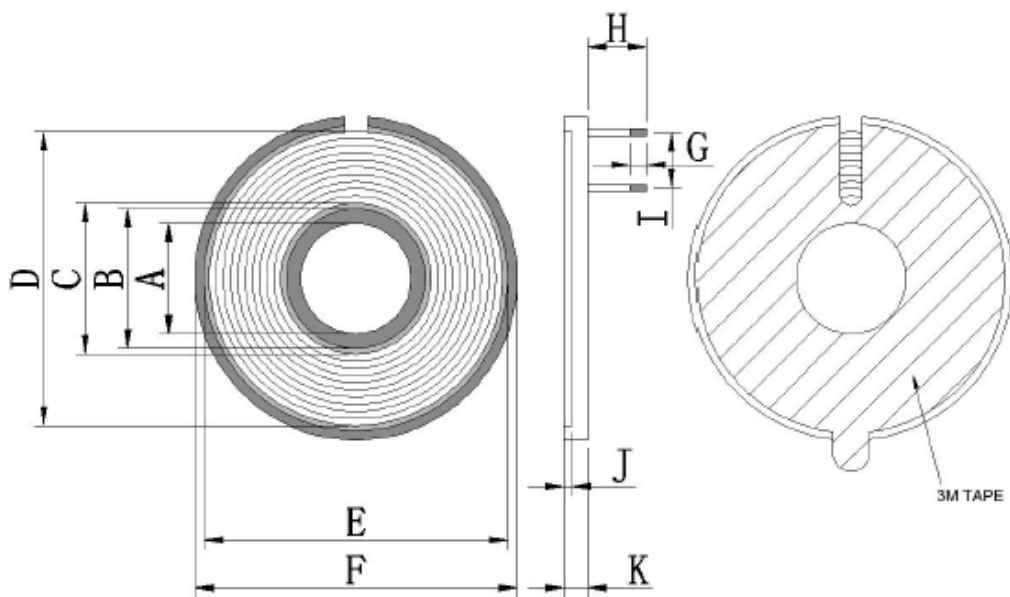
Dear Sir/Madam,

Only radiated measurements are used for EUT with FCC ID: 2AOU9-QLO2 to show compliance with FCC limits for fundamental and spurious emissions. All measurements were performed radiated and therefore additional antenna gain documentation is not required.

The detailed information for antenna as below shows:

Design Specifications	Typical
Antenna Type	Loop Antenna
Working Frequency	116.00kHz to 159.36kHz
Overall Dimensions	41.0mm*20.8mm

1. OVERALL DIMENSIONS OF PRODUCTS):



A	B	C	D	E	F	G	H	I	J	K
15MIN	19±0.3	20.5±0.3	40±1	41.4MIN	43-44MAX	3±1.5	10±1	10 REF	0.85±0.1	3.2MAX