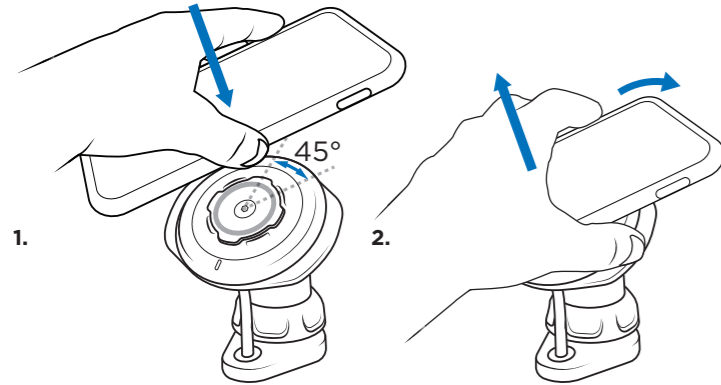
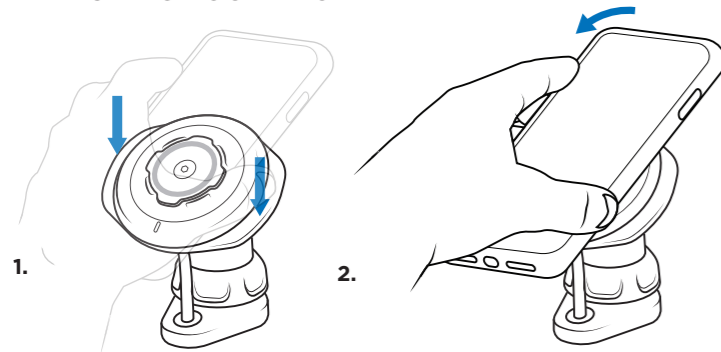


ATTACHING YOUR PHONE



DETACHING YOUR PHONE



Model No.: QL-5764



Annex Products Pty Ltd, Australia, declares that the product QL-5764 is in compliance with RED Directive (2014/53/EU). The CE certificate of conformity can be found at: www.quadlock.com.au/compliance



Annex Products Pty Ltd, Australia, declares that the product QL-5764 is in compliance with the following Directives: Radio Equipment Regulations 2017, Electrical Equipment (Safety) Regulations 2016 and The Restrictions of the Use of Certain Hazardous Substances in Electrical and Electronic Equipment 2012.

The certificate of conformity can be found at: www.quadlock.com.au/compliance

Radiated H-Field	-19.03 dBµA/m (@10m) (only for EU and UK)
TX/RX frequency range	120.0kHz - 126.4kHz (only for EU and UK)



FCC Compliance Statements

This device complies with part 15 of the FCC Rules. Operation is subject to the following two conditions:

- (1) This device may not cause harmful interference, and
- (2) this device must accept any interference received, including interference that may cause undesired operation.

NOTE: This equipment has been tested and found to comply with the limits for a Class B digital device, pursuant to part 15 of the FCC Rules and has been assigned FCC ID: 2A0U9-HWCH. These limits are designed to provide reasonable protection against harmful interference in a residential installation.

This equipment generates, uses and can radiate radio frequency energy and, if not installed and used in accordance with the instructions, may cause harmful interference to radio communications. However, there is no guarantee that interference will not occur in a particular installation.

If this equipment does cause harmful interference to radio or television reception, which can be determined by turning the equipment off and on, the user is encouraged to try to correct the interference by one or more of the following measures:

- Connect the equipment into an outlet on a circuit different from that to which the receiver is connected.
- Consult the dealer or an experienced radio/TV technician for help.
- Reorient or relocate the receiving antenna.
- Increase the separation between the equipment and receiver.

Changes or modifications not expressly approved by the party responsible for compliance could void the user's authority to operate the equipment.

RF Exposure Compliance

This equipment complies with FCC radiation exposure limits set forth for an uncontrolled environment. This equipment should be installed and operated with minimum distance 20cm between the radiator and your body. This transmitter must not be co-located or operating in conjunction with any other antenna or transmitter.

INDUSTRIE CANADA
(IC: 27134-HWCH)

IC Caution:

This device contains licence-exempt transmitter(s) that comply with Innovation, Science and Economic Development Canada's licence-exempt RSS(s). Operation is subject to the following two conditions:

- (1) this device may not cause interference,
- (2) this device must accept any interference, including interference that may cause undesired operation of the device.

This equipment complies with Canada radiation exposure limits set forth for an uncontrolled environment.

IC Caution:

L'émetteur exempt de licence contenu dans le présent appareil est conforme aux CNR d'Innovation, Sciences et Développement économique Canada applicables aux appareils radio exempts de licence. L'exploitation est autorisée aux deux conditions suivantes :

- (1) L'appareil ne doit pas produire de brouillage;
- (2) L'appareil doit accepter tout brouillage radioélectrique subi, même si le brouillage est susceptible d'en compromettre le fonctionnement.

Cet équipement est conforme Canada limites d'exposition aux radiations dans un environnement non contrôlé.

ISED Radiation Exposure statement

This equipment complies with IC RSS-102 radiation exposure limits set forth for an uncontrolled environment. This equipment should be installed and operated with minimum distance 20 cm between the radiator and your body. This transmitter must not be co-located or operating in conjunction with any other antenna or transmitter.

Cet équipement est conforme aux limites d'exposition aux radiations IC CNR-102 établies pour un environnement non contrôlé. Cet équipement doit être installé et utilisé avec une distance minimale de 20 cm entre le radiateur et votre corps. Cet émetteur ne doit pas être colocalisé ou fonctionner en conjonction avec une autre antenne ou un autre émetteur.



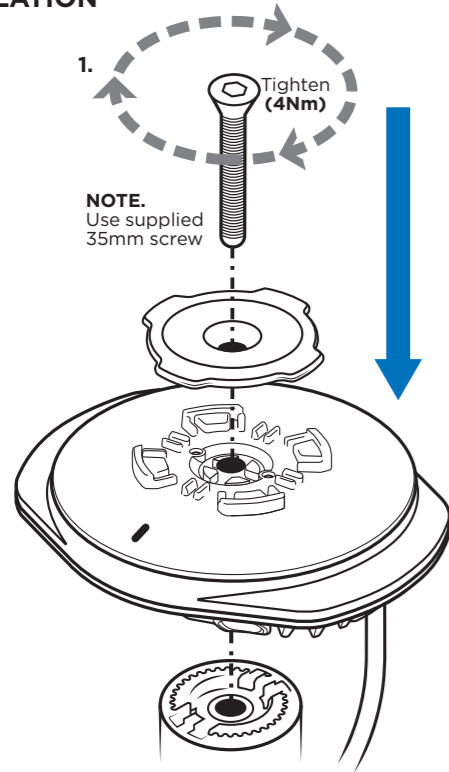
HEAD 12V-24V WATERPROOF WIRELESS CHARGER

2303-098-2

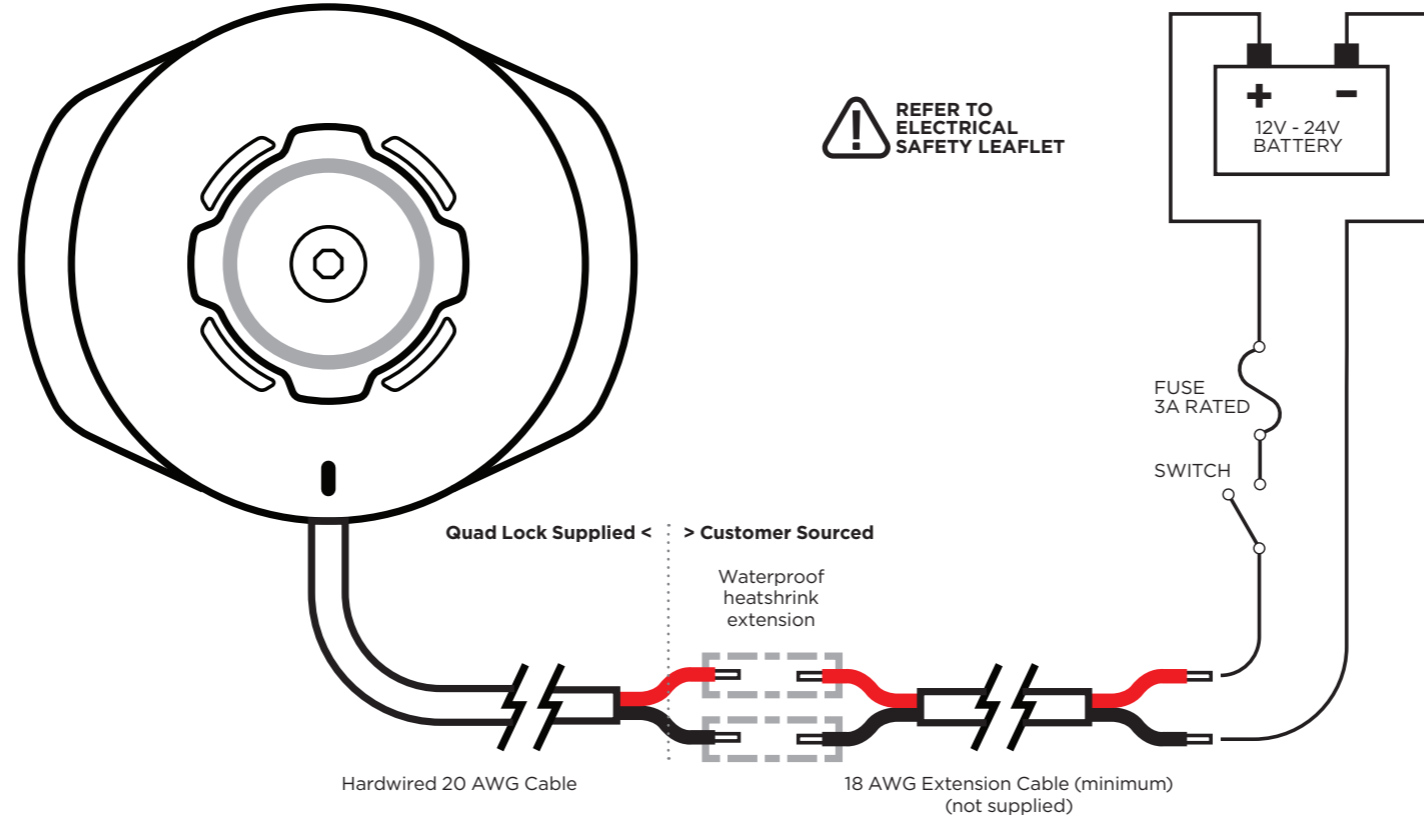
WHAT'S IN THE BOX

- 1x 12-24v Weatherproof Wireless Charging Head
- 2x Cable grommet plugs
- 1x 3mm hex key
- 1x M5x35mm CSK head hex socket Screw
- 5x 5x200mm Nylon zip ties

INSTALLATION



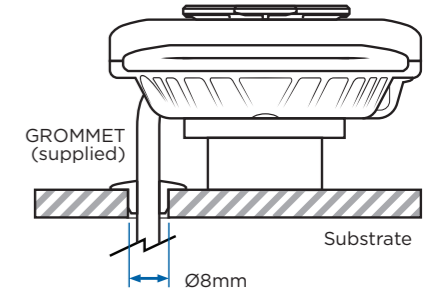
WIRING DIAGRAM



LED STATES

	POWER ON / STAND BY
	ERROR MODE
	CHARGING / FULL CHARGE

INSTALLATION WITH GROMMET



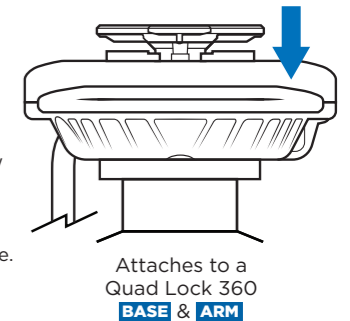
CABLE FITMENT

USING CABLE TIES?

Recommend not to tighten the cable ties too much to avoid stressing the cables and causing damage.

Ensure there is some slack in the cable near the Wireless Charging Head to allow for ease of engaging / disengaging the phone on Wireless Charger.

Wireless Charger has a cable routing groove on the underside to hold the cable.



CABLE CLEARANCE

Once the Wireless Charging Head is installed in the preferred orientation, push down on it to ensure the cable does not interfere with other devices or any operation (steering, breaking, etc).