

FC Annex Products Pty Ltd, Australia, declares that the products "Dual Desktop Wireless Charger", complies with part 15 of the FCC Rules. Operation is subject to the following conditions: (1) This device may not cause harmful interference, and (2) this device must accept any interference received, including interference that may cause undesired operation.

NOTE: The "Dual Desktop Wireless Charger" has been tested and found to comply with the limits for a Class B device, pursuant to Part 15 of the FCC Rules and has been assigned FCC ID: 2AOU9-2DWC. These limits are designed to provide reasonable protection against harmful interference. This equipment generates, uses, and can radiate radio frequency energy and, if not installed and used in accordance with the instructions, may cause harmful interference to radio communications. However, there is no guarantee that interference will not occur in a particular installation. If this equipment does cause harmful interference to radio or television reception, which can be determined by turning the equipment off and on, the user is encouraged to try to correct the interference by one or more of the following measures:

- Reorient or relocate the receiving antenna.
- Increase the separation between the equipment and receiver.
- Connect the equipment into an outlet on a circuit different from that to which the receiver is connected.
- Consult the dealer or an experienced technician for help.

The equipment complies with FCC radiation exposure limits set forth for an uncontrolled environment. This equipment should be installed and operated with a minimum distance of 20cm between the radiator and your body. Use only supplied antenna.

CAUTION: Any changes or modifications in construction of these devices which are not expressly approved by the party responsible for compliance could void the user's authority to operate the equipment.

CE This device was tested for operations. To comply with RF exposure requirements, a minimum separation distance of 20cm must be maintained between the user's body and the handset, including the antenna. Third-party belt-clips, holsters, and similar accessories used by this device should not contain any metallic components. Body-worn accessories that do not meet these requirements may not comply with RF exposure requirements and should be avoided. Use only the supplied or an approved antenna.

This device in compliance with the essential requirements and other relevant provisions of Directive 2014/53/EU. All essential radio test states have been carried out. This restriction will be applied to all Member States of European Union.

1. The device complies with RF specifications when the device used at 20cm from your body

Declaration of Conformity

Herby, Annex Products Pty Ltd declares that the product "Dual Desktop Wireless Charger" is in compliance with Directives 2014/53/EU & 2011/65/EU. The full text of the EU declaration of conformity is available at the following internet address: <https://www.quadlock.com.au/compliance>

UK CA This device was tested for operations. To comply with RF exposure requirements, a minimum separation distance of 20cm must be maintained between the user's body and the charger, including the antenna. Third-party belt-clips, holsters, and similar accessories used by this device should not contain any metallic components. Body-worn accessories that do not meet these requirements may not comply with RF exposure requirements and should be avoided. Use only the supplied or an approved antenna.

The device is in compliance with the essential requirements and other relevant provisions of the UK Radio Equipment Regulations SI 2017/1206 (as amended).

1. The device complies with RF specifications when the device used at 20cm from your body.

Declaration of Conformity:

Herby, Annex Products Pty Ltd declares that the product "Dual Desktop Wireless Charger" is in compliance with the following Directives: Radio Equipment Regulations 2017, Electrical Equipment (Safety) Regulations 2016 and The Restriction of the Use of Certain Hazardous Substances in Electrical and Electrical Equipment 2012. The full text of the UK declaration of conformity is available at the following internet address: <https://www.quadlock.com.au/compliance>

Radiated H-Field	4.99 dBμA/m (@10m) (only for EU and UK)
TX/RX frequency range	110-148KHz (only for EU and UK)

INDUSTRIE CANADA (IC: 27134-2DWC)

IC Caution:

Radio Standards Specification RSS-Gen, issue 5

This device contains licence-exempt transmitter(s)/receiver(s) that comply with Innovation, Science and Economic Development Canada's licence-exempt RSS(s). Operation is subject to the following two conditions:

- (1) This device may not cause interference.
- (2) This device must accept any interference, including interference that may cause undesired operation of the device.

RF exposure statement:

The equipment complies with IC Radiation exposure limits set forth for uncontrolled environments. This equipment should be installed and operated with a minimum distance of 10cm between the radiator and your body.

IC Caution:

Cet appareil contient des émetteurs / récepteurs exemptés de licence conformes aux RSS (RSS) d'Innovation, Sciences et Développement économique Canada. Le fonctionnement est soumis aux deux conditions suivantes:

- (1) *Cet appareil ne doit pas causer d'interférences.*
- (2) *Cet appareil doit accepter toutes les interférences, y compris celles susceptibles de provoquer un fonctionnement indésirable de l'appareil.*

Déclaration d'exposition RF:

L'équipement est conforme à la limite d'exposition aux radiations de la IC établie pour un environnement non contrôlé. Cet équipement doit être installé et utilisé avec une distance minimale de 10 cm entre le radiateur et votre corps.

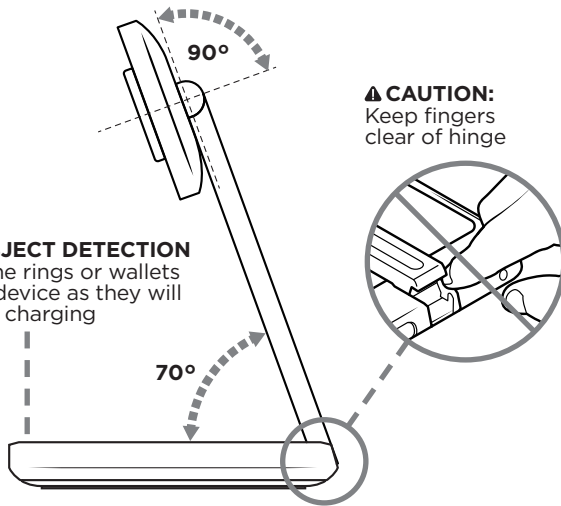
2. 制造商 Manufacturer		
*名称 Name:	中 Chinese: 深圳市华功科技有限公司	联系人 Contact: Charles Mao
	英 English: Shenzhen Huaqon Technology Co., Ltd	E-mail: Charles-m@huaqon.cn
*地址 Address:	中 Chinese: 广东省 深圳市 龙华区 大浪街道 华兴路 38号 安宏基星耀产业园3楼306	Tel: 18860301152
	英 English: 306 3 Floor An hongji Xingyao Industrial Park, No.38 Huaxing Road, Dalang Street, Longhua District, Shenzhen City China 518109	职位 Title: Product Manager

MAG MOUNT

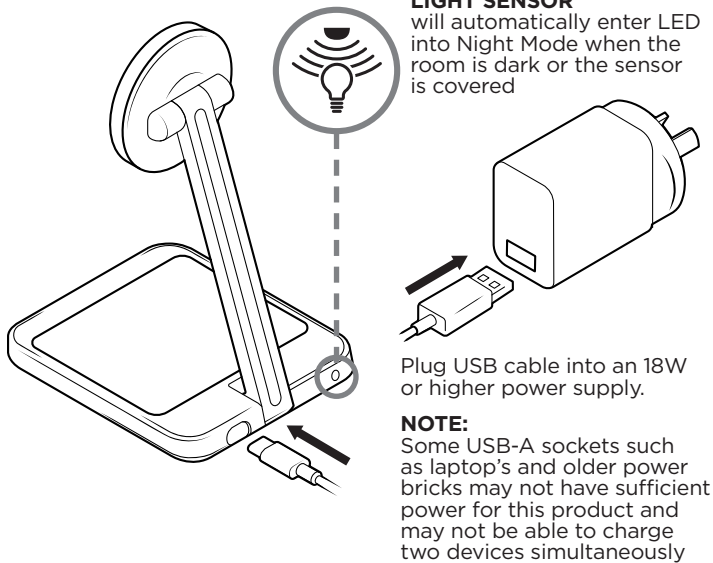
2-IN-1 MAGNETIC DESKTOP WIRELESS CHARGER

IT'S ALIVE!

MOUNTING ANGLES



PLUG IT IN



WARNING! This product contains magnets and components that generate strong electromagnetic fields. Keep your Quad Lock product a safe distance away from any sensitive or implanted medical devices. Consult with your medical practitioner or device manufacturer before use, or if you suspect the product is interfering with your device.

LED LIGHT STATES

	DAY MODE		NIGHT MODE	
	CHARGER BASE	CHARGER HEAD	CHARGER BASE	CHARGER HEAD
NO CHARGING				
CHARGING				
	LIGHT GOES OFF AFTER 3 SECS			
ERROR/ FOREIGN OBJECT DETECTION				
	CONTINUAL FLASHING		CONTINUAL FLASHING	