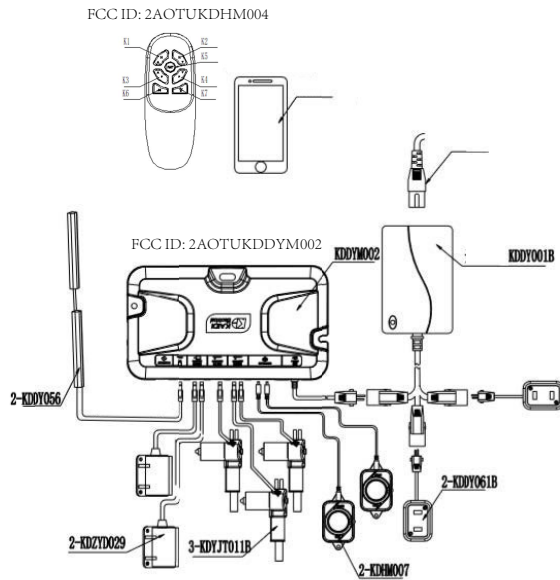


User Manual

One、 System connection diagram



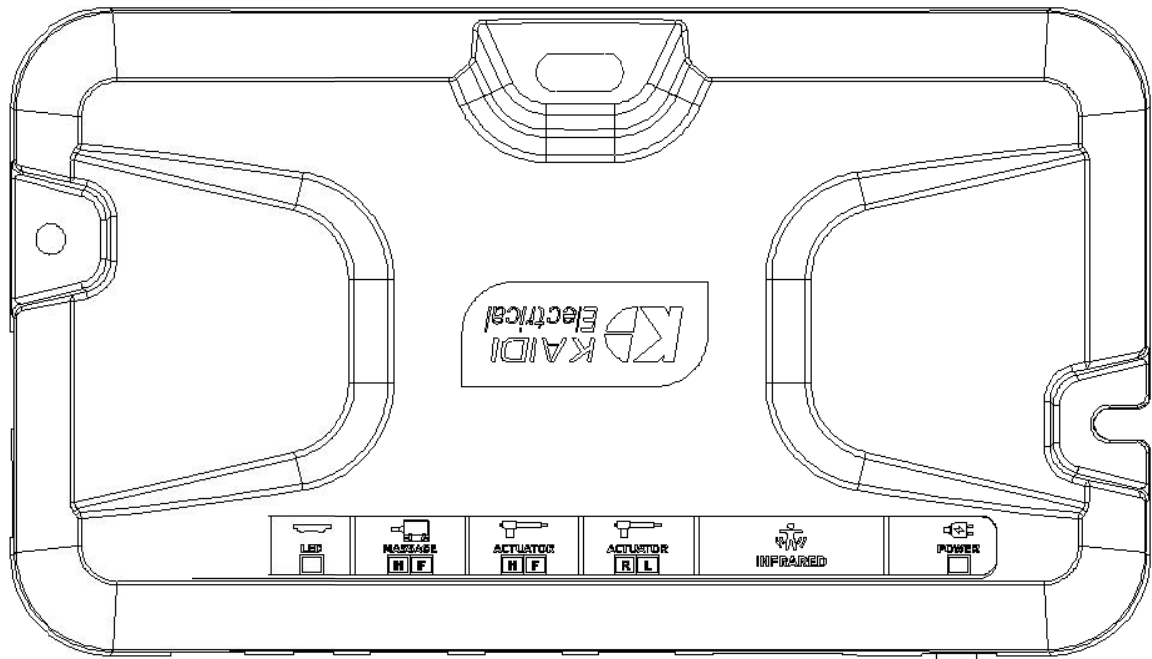
Two、 Product list

NO.	Name (Code)	Model specifications	Remarks
1	Handset	KDHM003	
2	Mobile APP		
3	power box	KDDY001B	
4	control box	KDDYM002	
5	Putter 1 (head)	KDYJT011B	
6	Putter 2 (leg)	KDYJT011B	
7	Putter 3 (back)	KDYJT011B	
8	Light strip	KDDY056	
9	Vibration motor	KDZYD029	
10	Double USB for bed	KDDY061B	
11	Infrared sensor	KDDM007	

Three、 Performance parameters:

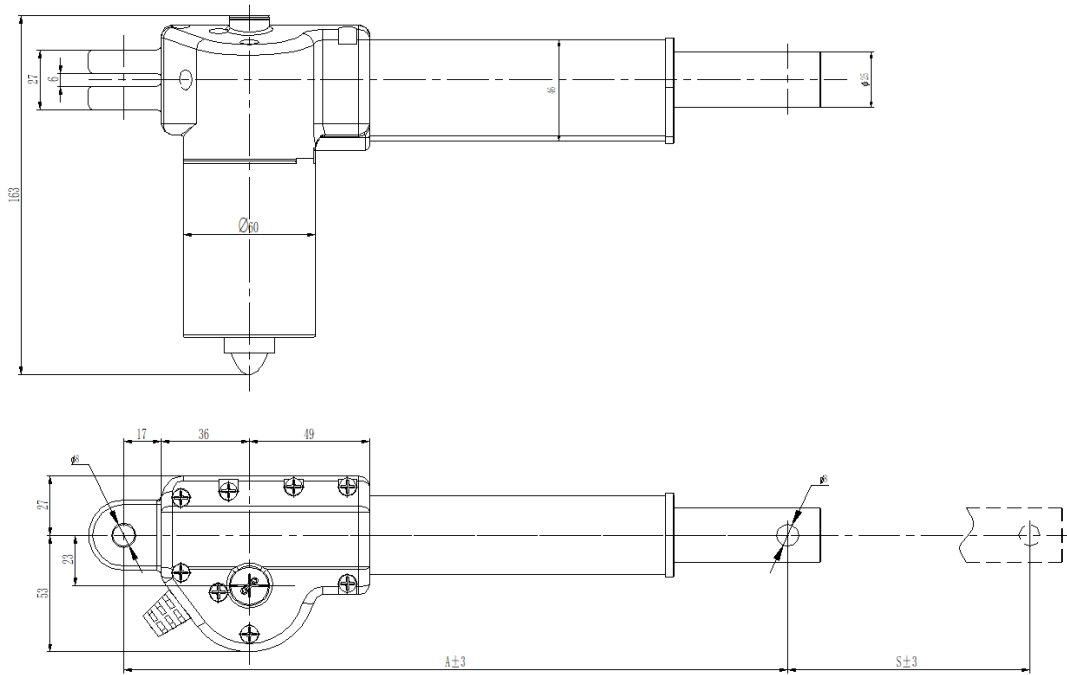
Input voltage	AC 110V 50/60Hz
Rated output (single channel)	29VDC/5A (According to the 10% working system, the maximum continuous work for 2 minutes and 18 minutes stop)

KDDYM002 Outline


2. Pusher performance parameters:

parameter name	Putter 3 KDYJT011B	Putter 2 KDYJT011B	Putter 1 KDYJT011B
Input voltage / current	29V DC/ 4A (According to the 10% working system, the maximum continuous work for 2 minutes and 18 minutes stop)		
No-load speed	4-6mm/s	4-6mm/s	4-6mm/s
Installation dimensions	330mm	300mm	222mm
Stroke size	100mm	70mm	21mm
Maximum thrust	6000N	6000N	6000N
Self-locking force	4000N	4000N	4000N
Putter line length	1000mm	1000mm	1000mm
other requirements	The lead connector type of push rod wire is 01 male plug	The lead connector type of push rod wire is 01 male plug	The lead connector type of push rod wire is 01 male plug

KDYJT011B Outline



Four、Precautions

1. Before use, please make sure the correct connection according to the system connection diagram, and then connect the main power supply;
2. Children, the elderly and people with disabilities, please use under supervision;
3. Please do not plug or unplug any connection cable when the power is on, it may cause malfunction of the operation function. If this happens, the main power supply can be cut off, and it can be restored after turning on again after about 30s;

4. Before using for the first time, the wireless hand controller and the control box should be paired first. The specific methods are as follows:
 - a Press the pairing button on the control box and hold 3S, The indicator is flashing fast, release the button;
 - b Press any key on the hand controller within 50s, the control box indicator stops flashing Indicates that the pairing is successful, the control box indicator is always on; If no key is pressed within 50s, the control box indicator stops flashing, The original paired hand controller is cleared, and the control box indicator is always on;
 - c After the pairing is successful, press the button and the corresponding function starts to execute;
5. The control box can be paired with two hand controllers. If paired with the third one, the first one will be cleared.
6. Simultaneous operation of multiple faders is not recommended, except for special functions;
7. Please replace the battery of the hand controller in time. When not in use for a long time, the battery should be taken out.

Note: This device contains FCC ID:2AQV6MOUSELET-B.

FCC Statement

Any Changes or modifications not expressly approved by the party responsible for compliance could void the user's authority to operate the equipment. This device complies with part 15 of the FCC Rules. Operation is subject to the following two conditions:

- (1) This device may not cause harmful interference, and
- (2) This device must accept any interference received, including interference that may cause undesired operation.

Note : This equipment has been tested and found to comply with the limits for a Class B digital device, pursuant to part 15 of the FCC Rules. These limits are designed to provide reasonable protection against harmful interference in a residential installation. This equipment generates,uses and can radiate radio frequency energy and, if not installed and used in accordance with the instructions, may cause harmful interference to radio communications. However, there is no guarantee that interference will not occur in a particular installation. If this equipment does cause harmful interference to radio or television reception, which can be determined by turning the equipment off and on, the user is encouraged to try to correct the interference by one or more of the following measures:

- Reorient or relocate the receiving antenna.
- Increase the separation between the equipment and receiver.
- Connect the equipment into an outlet on a circuit different from that to which the receiver is connected.
- Consult the dealer or an experienced radio/TV technician for help.