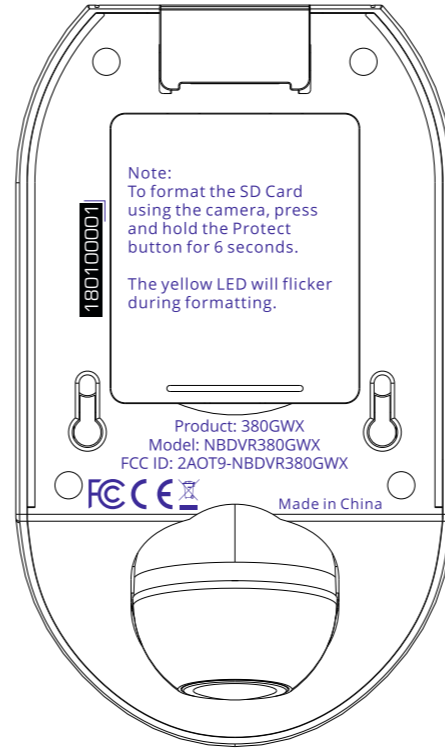
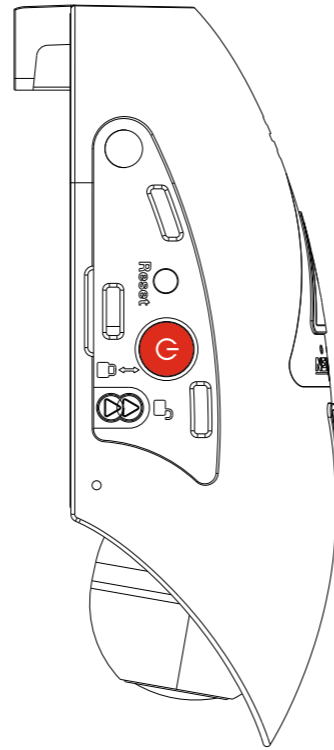
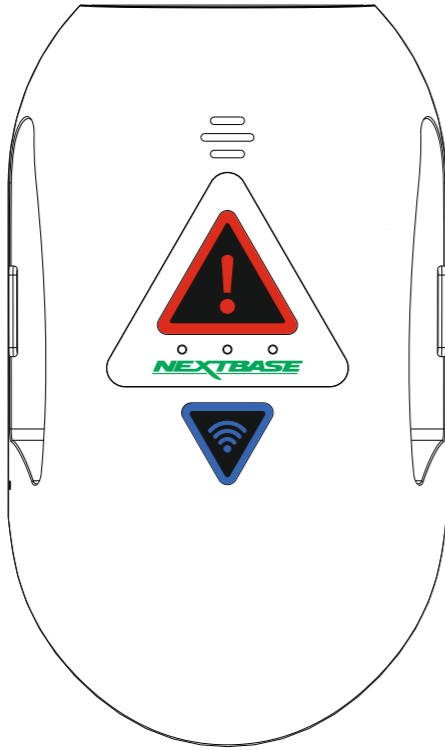
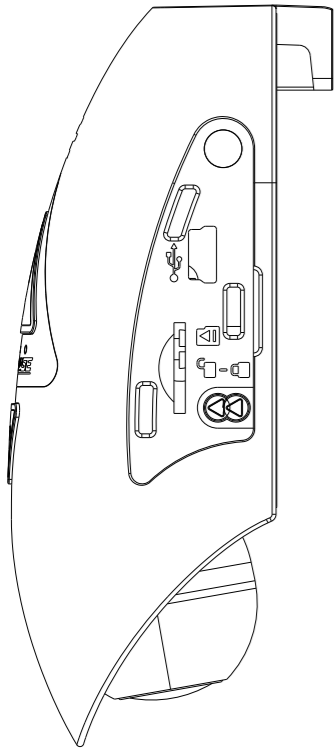
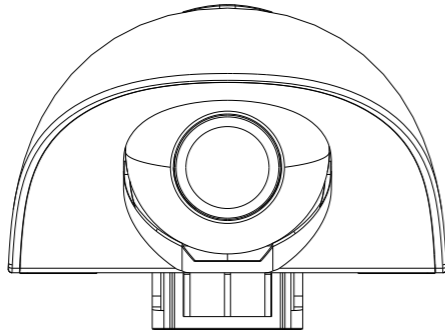


- PT 877C
- PT 485C
- WHITE
- BLACK
- Laser Etch



000000000 13mm x 3mm

SN Format:  
 180100001  
 18 = year  
 01 = week  
 00001 = number

Font: Magistral Book 6pt

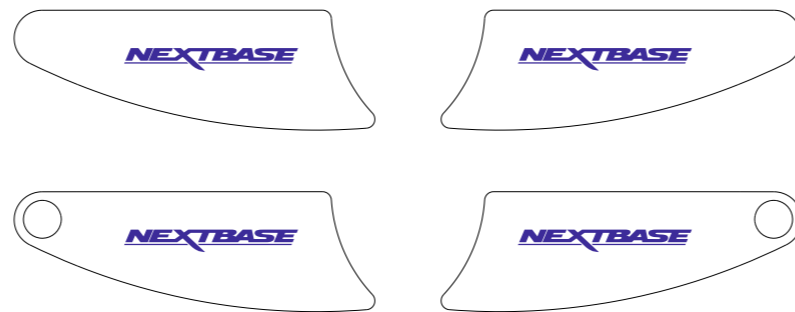
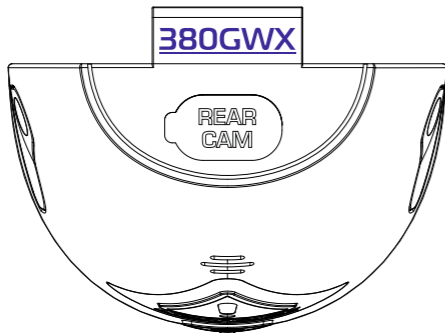
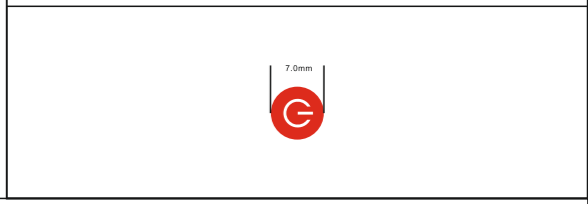
Note:  
 To format the SD Card using the camera, press and hold the Protect button for 6 seconds.

The yellow LED will flicker during formatting.

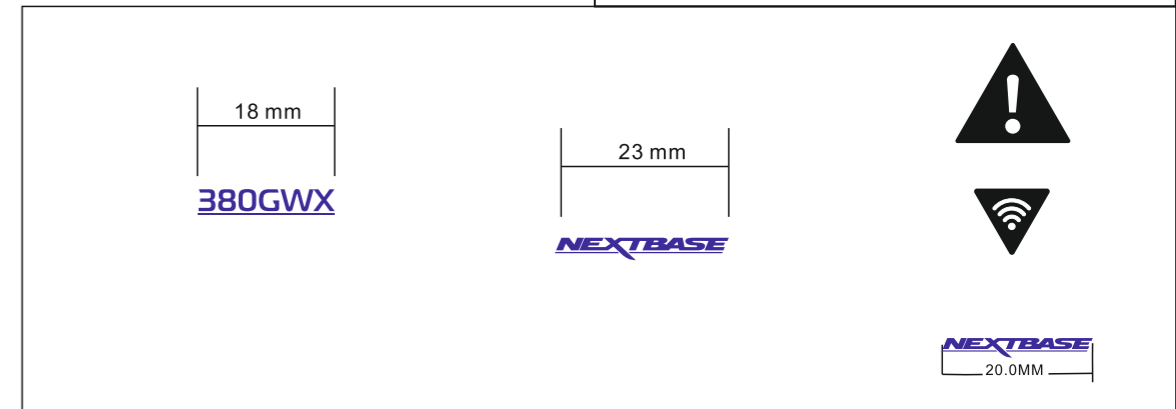
Product: 380GWX  
 Model: NBDVR380GWX  
 FCC ID: 2AOT9-NBDVR380GWX

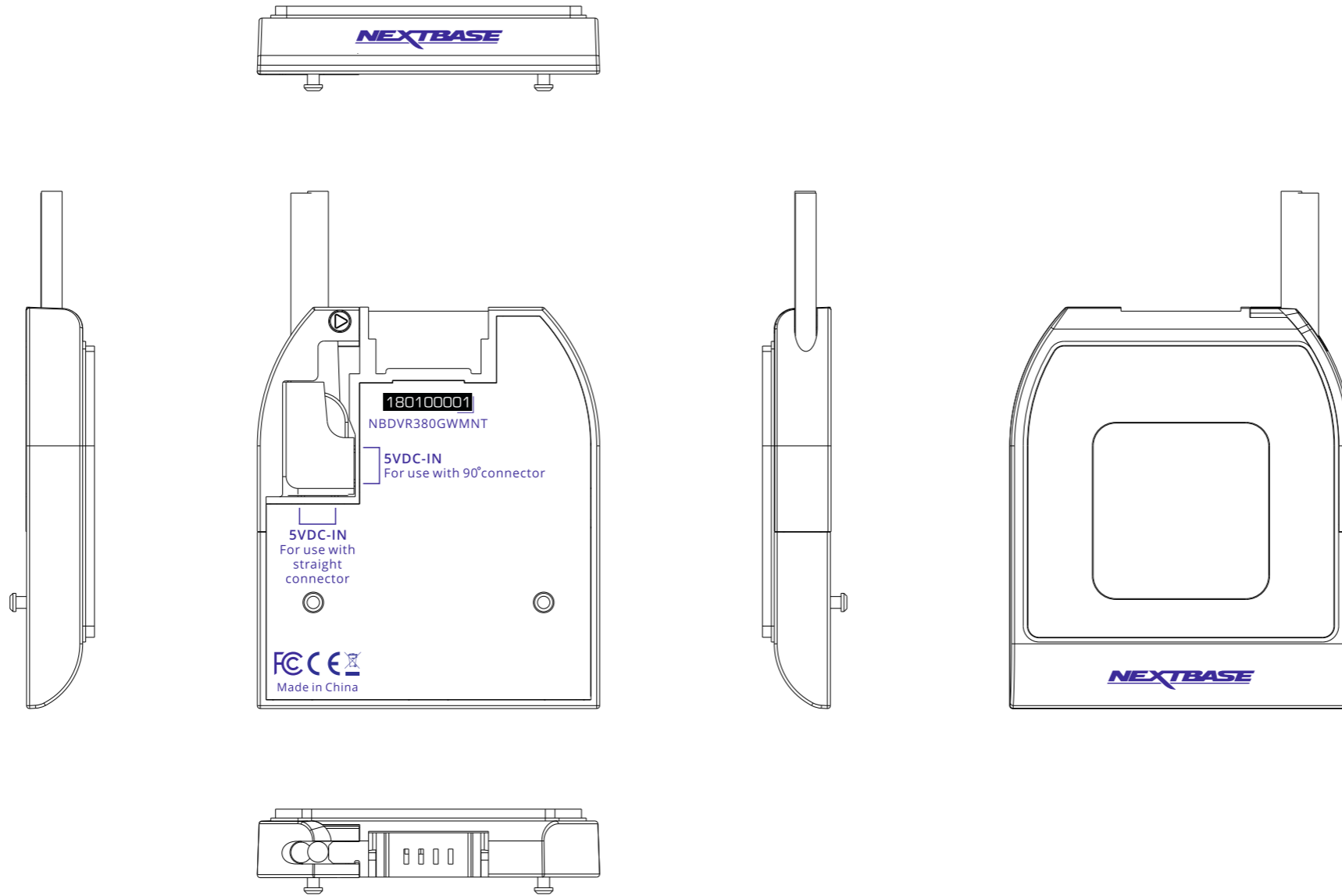
FCC CE

Made in China



NEXTBASE logo to be applied  
4x dust covers





00000000 13mm x 3mm

SN Format:  
180100001  
18 = year  
01 = week  
00001 = number

Font: Magistral Book 6pt

25 mm

NEXBASE

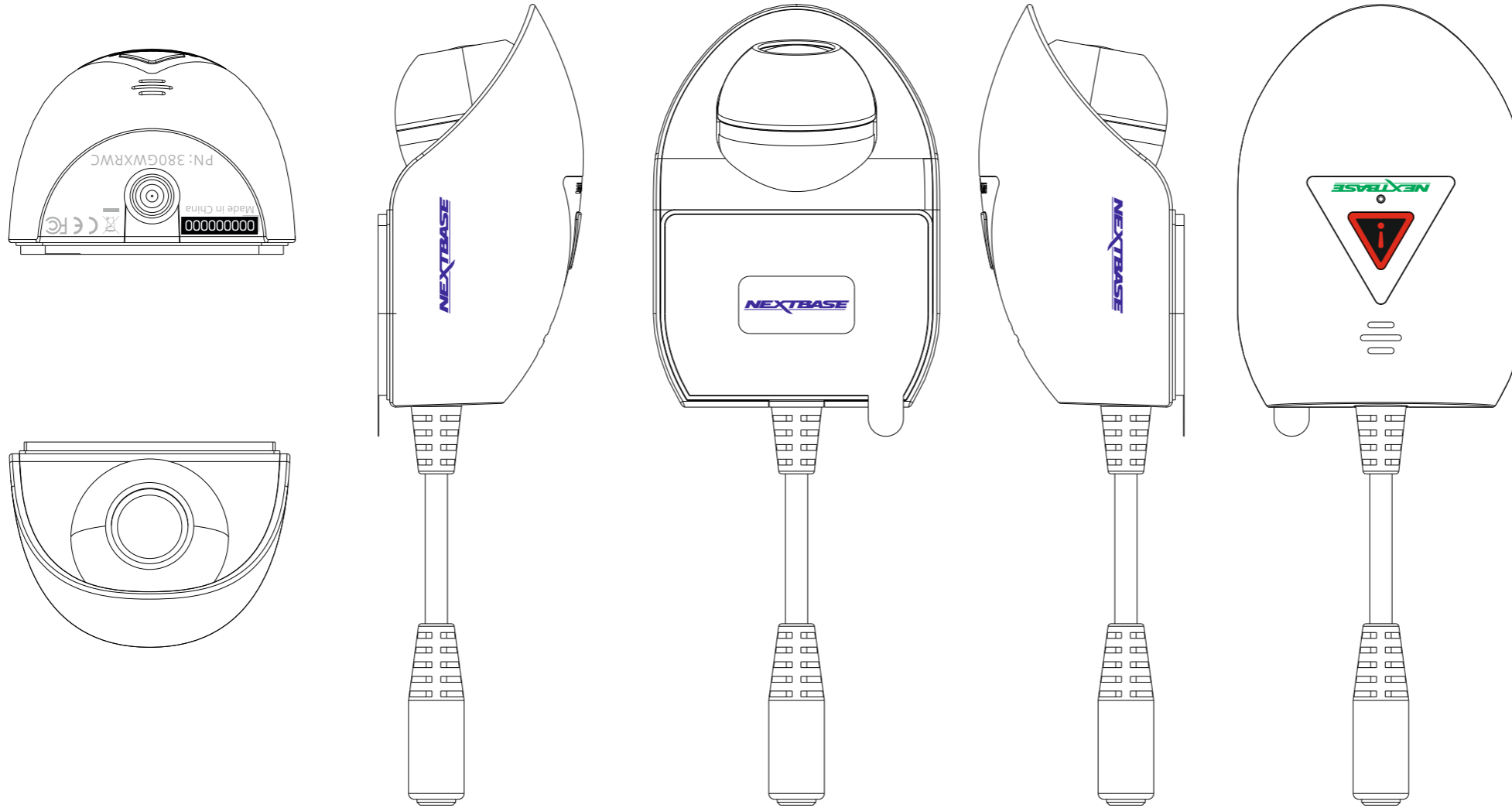
NBDVR380GWMNT

5VDC-IN  
For use with 90° connector

5VDC-IN  
For use with straight connector

FCC CE  
Made in China

- PT 877C
- PT 485C
- WHITE
- BLACK
- Laser Etch
- 40% Black C  
(C:0 M:0 Y:0 K:40)



00000000 13mm x 3mm

SN Format:  
 180100001  
 18 = year  
 01 = week  
 00001 = number

Font: Magistral Book 6pt

