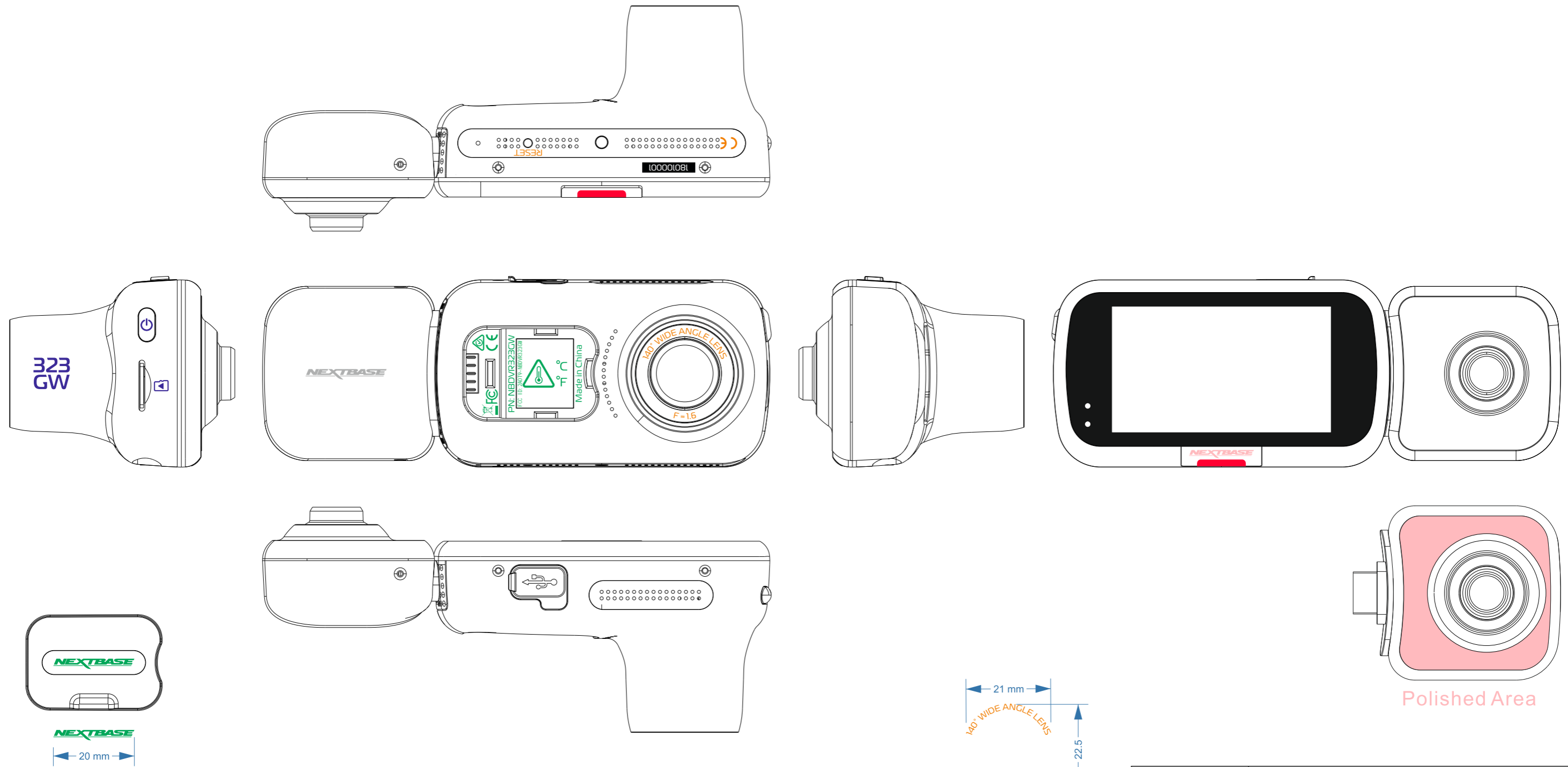






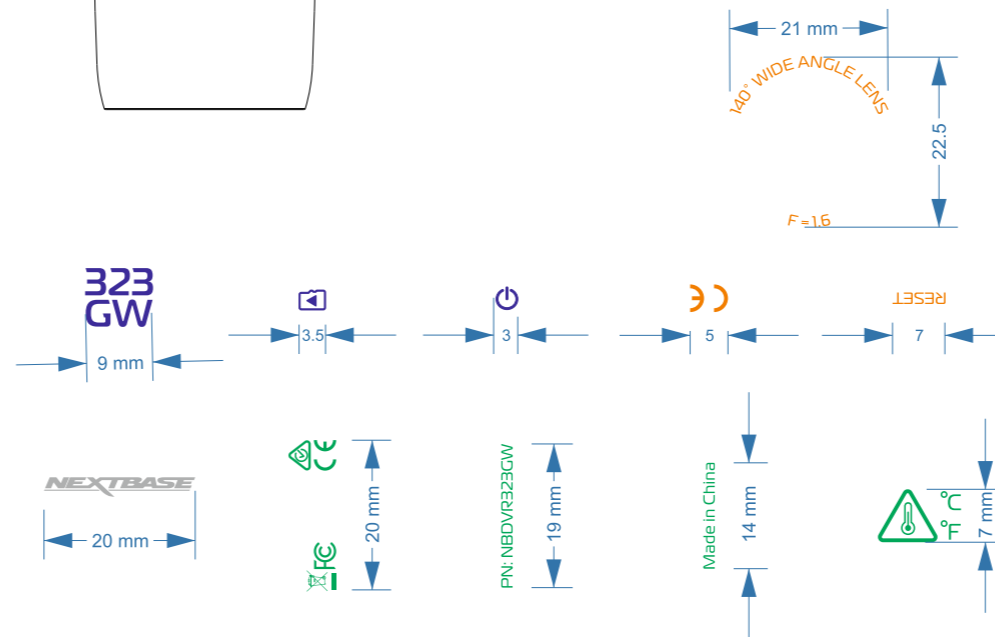


REV No.	REVISION RECORD	DATE	REVR.
A0 (R3)	INITIAL DRAWING (Mech Samples)	13.05.2021	DM
A0 (R4)	CE logo resized and placement adjusted	25.05.2021	DM

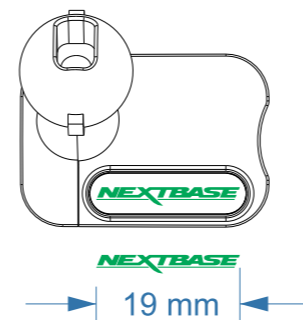
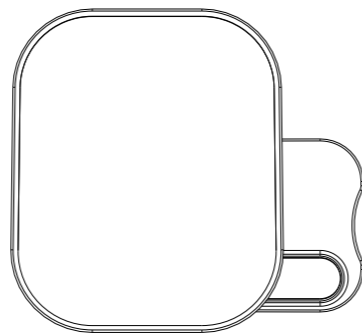
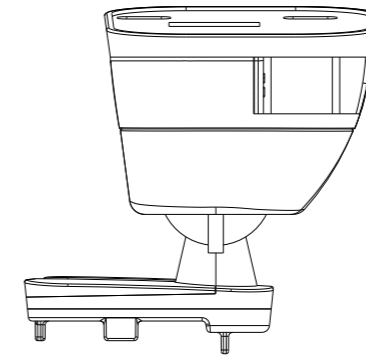
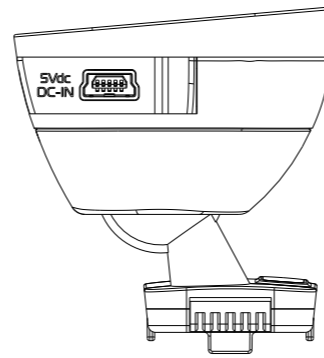
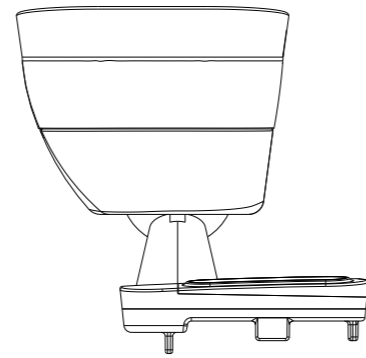
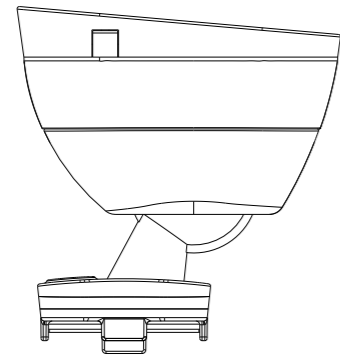
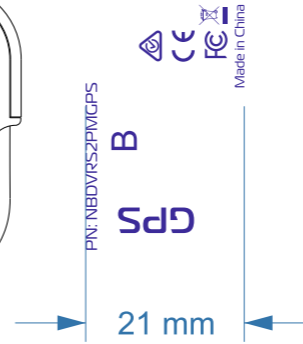
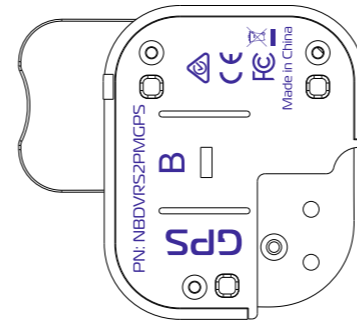
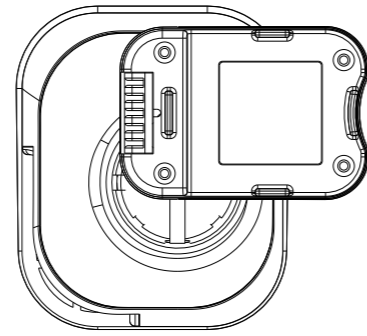
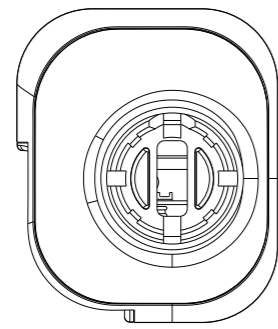


	LASER ETCH	LASER ETCH
	PT BLACK	SILKSCREEN
	TRANSLUCENT	LASER ETCH
	PT 485C	SILKSCREEN
	0% 4Black C (C:0 M:0 Y:0 K:40)	SILKSCREEN
	PT 877C	SILKSCREEN
KEY	COLOUR	APPLICATION



Drawing	Product Silkscreen, Markings & Serial Number		
Model	323GW		
Part Number	NBDVR323GW		
Part Description	322 + RFC IR		
Customer	UBER		
Branding	NEXTBASE		
Scale	1:1	Checked	Date
Units	mm	Approved	Date
NEXTBASE UK Registered office: 5 The Square Bagshot, Surrey, GU14 5AX, United Kingdom Registration: 04038169			

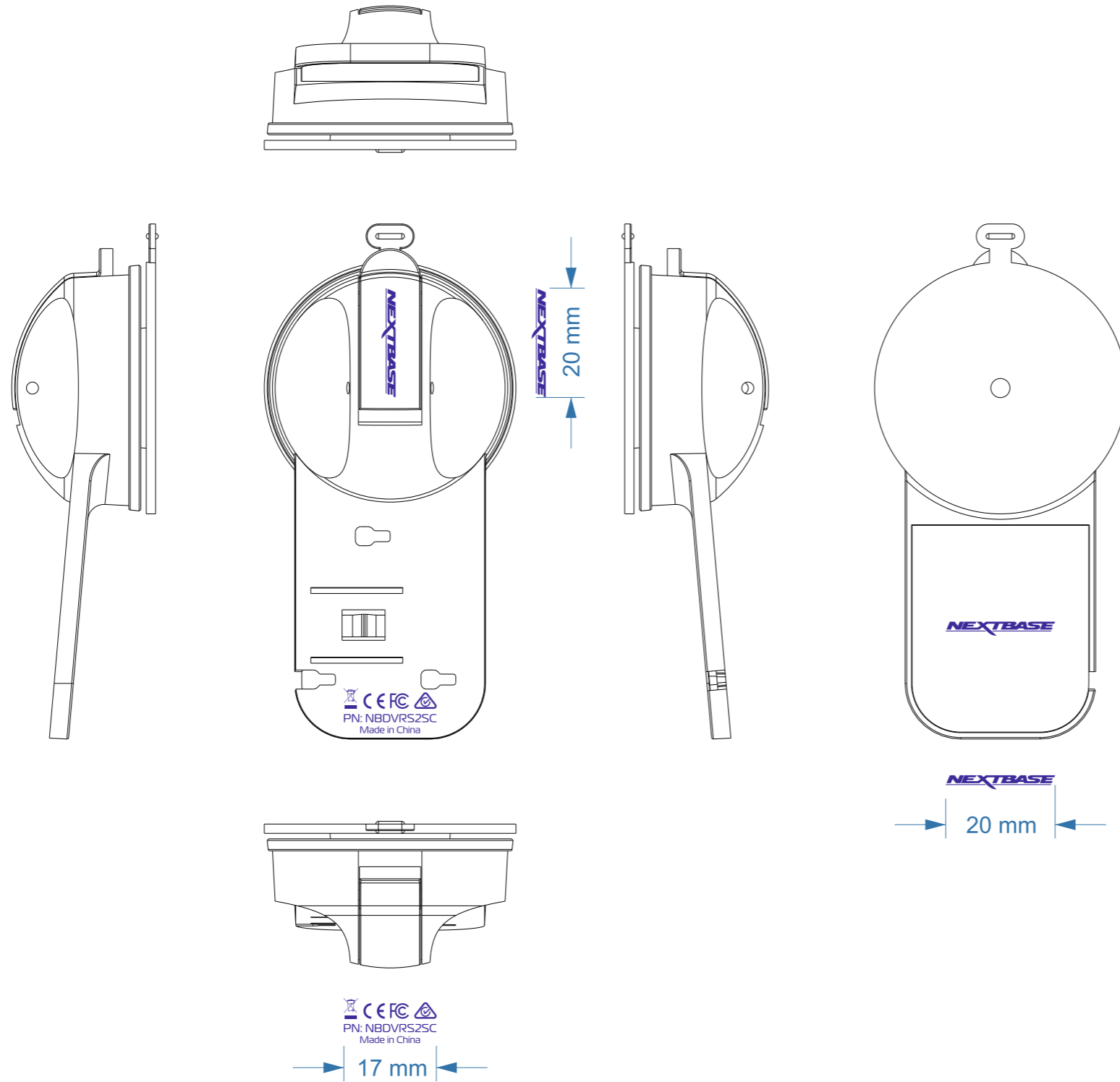
REV No.	REVISION RECORD	DATE	REVR.
A0 (R3)	INITIAL DRAWING (Mech Samples)	13.05.2021	DM
A0 (R4)	CE logo resized and placement adjusted	25.05.2021	DM









	LASER ETCH	LASER ETCH
	PT BLACK	SILKSCREEN
	BACKLIT	MOLDED
	PT 485C	SILKSCREEN
	0% 4Black C (C:0 M:0 Y:0 K:40)	SILKSCREEN
	PT 877C	SILKSCREEN
KEY	COLOUR	APPLICATION

Drawing	Product Silkscreen, Markings & Serial Number		
Model	323GW		
Part Number	NBDVR323GW		
Part Description	322 + RFC IR		
Customer	UBER		
Branding	NEXTBASE		
Scale	1:1	Checked	Date
Units	mm	Approved	Date
NEXTBASE UK Registered office: 5 The Square Bagshot, Surrey, GU14 5AX, United Kingdom Registration: 04038169			

REV No.	REVISION RECORD	DATE	REVR.
A0 (R3)	INITIAL DRAWING (Mech Samples)	13.05.2021	DM
A0 (R4)	CE logo resized and placement adjusted	25.05.2021	DM



	LASER ETCH	LASER ETCH
	PT BLACK	SILKSCREEN
	BACKLIT	MOLDED
	PT 485C	SILKSCREEN
	0% 4Black C (C:0 M:0 Y:0 K:40)	SILKSCREEN
	PT 877C	SILKSCREEN
KEY	COLOUR	APPLICATION

Drawing	Product Silkscreen, Markings & Serial Number			
Model	323GW			
Part Number	NBDVR323GW			
Part Description	322 + RFC IR			
Customer	UBER			
Branding	NEXTBASE			
Scale	1:1	Checked		Date
Units	mm	Approved		Date
NEXTBASE UK Registered office: 5 The Square Bagshot, Surrey, GU14 5AX, United Kingdom Registration: 04038169				