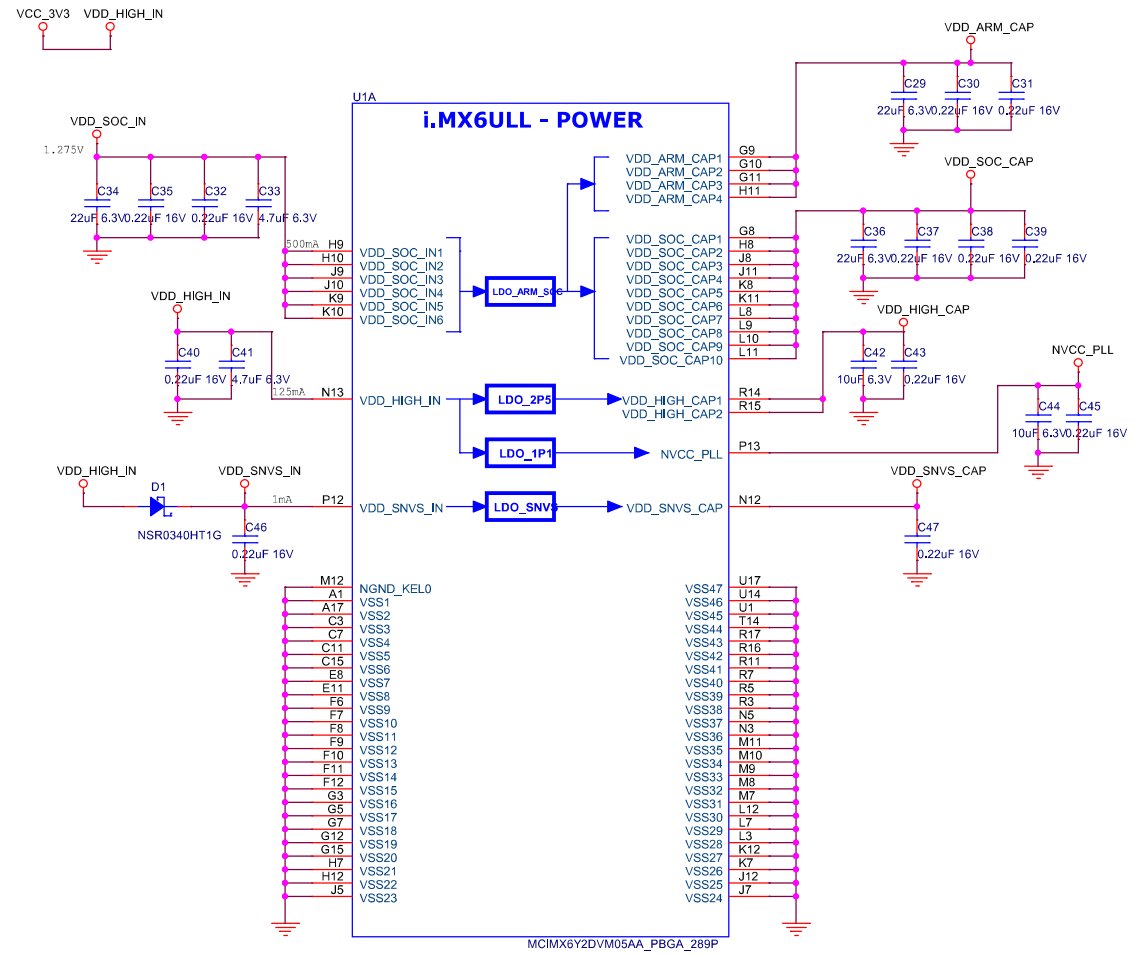


K4B2G1646Q-BCK0

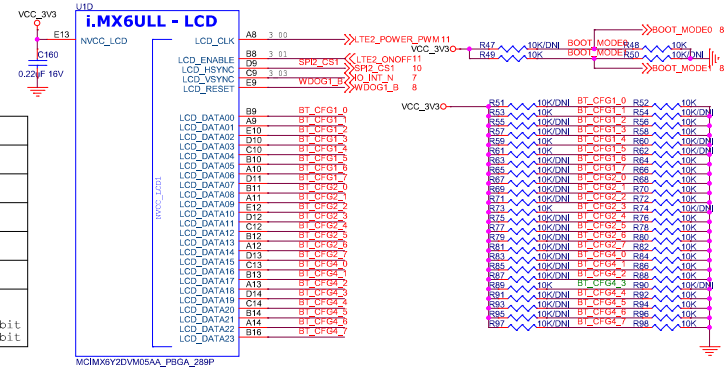


Design Name <Title>		Rev <RevCode>
Size A3	Page Name <DOC>	
Date:	Thursday, December 28, 2017	Sheet 5 of 12

BOOT

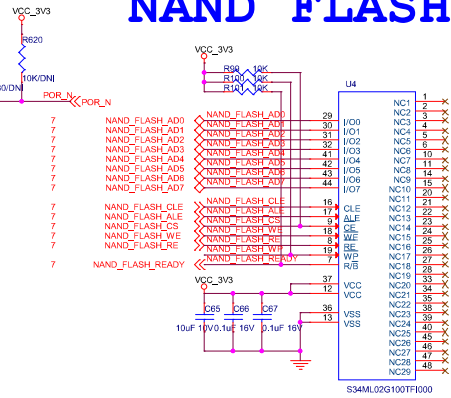
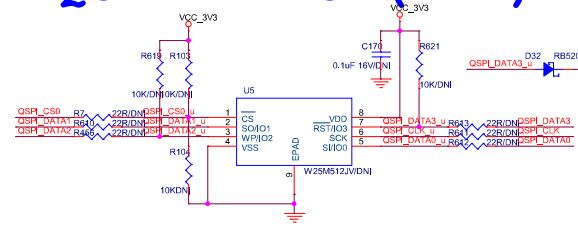
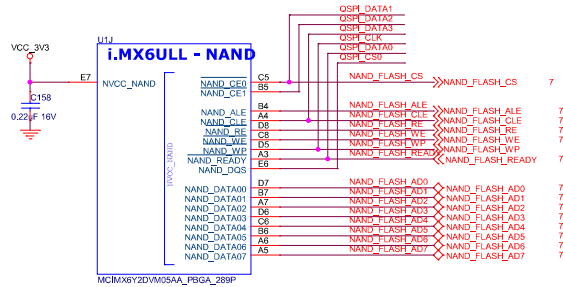
BOOT MODE

CFG_1[0]	CFG_1[5]	CFG_1[6]	CFG_1[7]	CFG_2[3]	
0	0	0	0	X	QSPI
1	0	0	1	X	NAND
0	1	1	0	X	EMMC
0	0	1	0	1	Micro SD2
0	0	1	0	0	Micro SD1
X	1	0	0	X	SP11 CFG4[3]:0--16bit 1--24bit



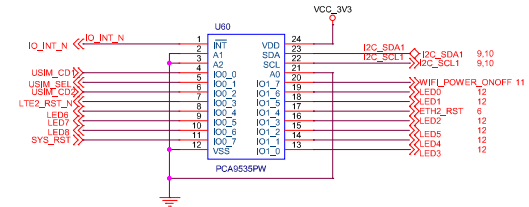
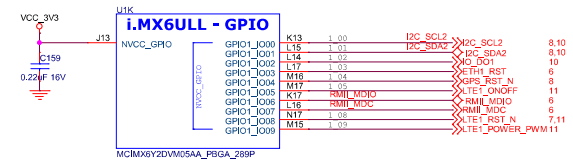
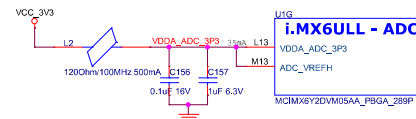
QSPI FLASH (DNI)

NAND FLASH

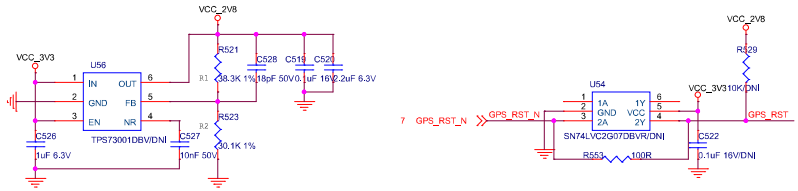
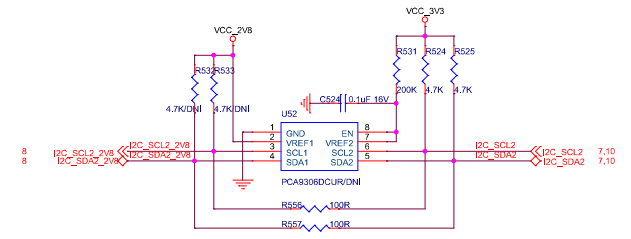
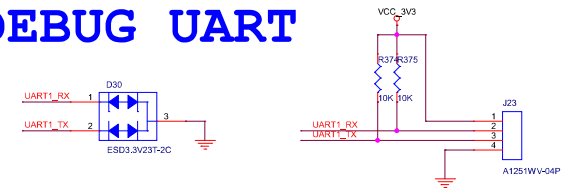


GPIO

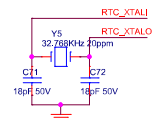
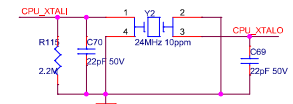
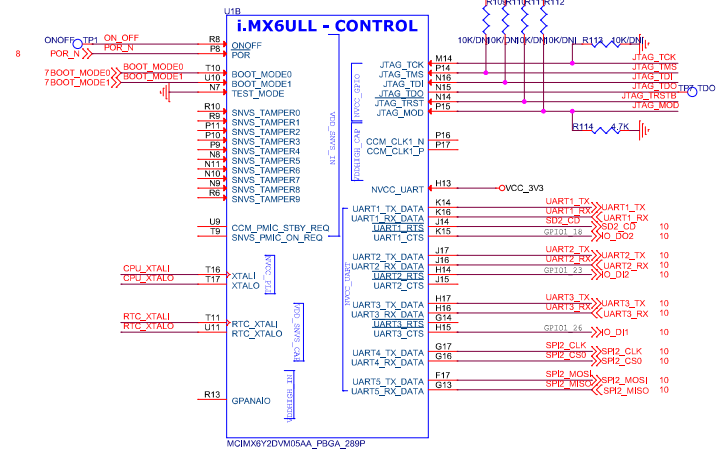
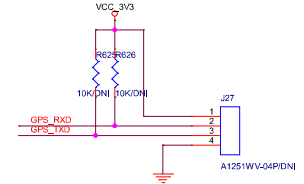
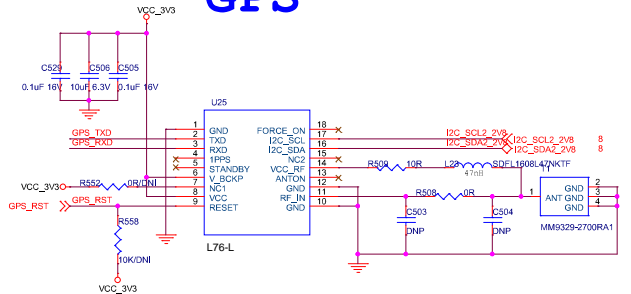
I2C->IO



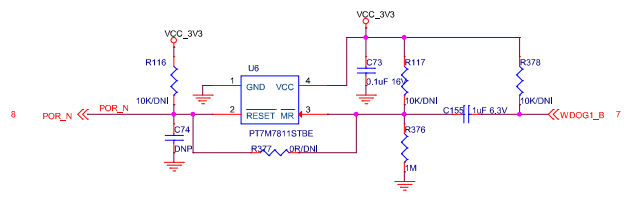
DEBUG UART



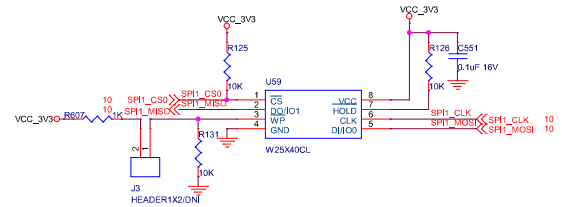
GPS



WATCH DOG

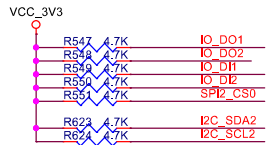
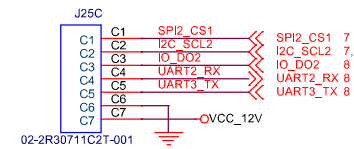
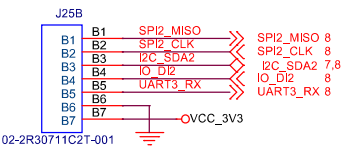
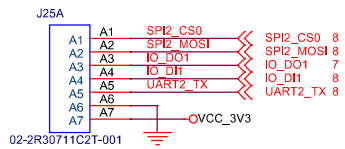
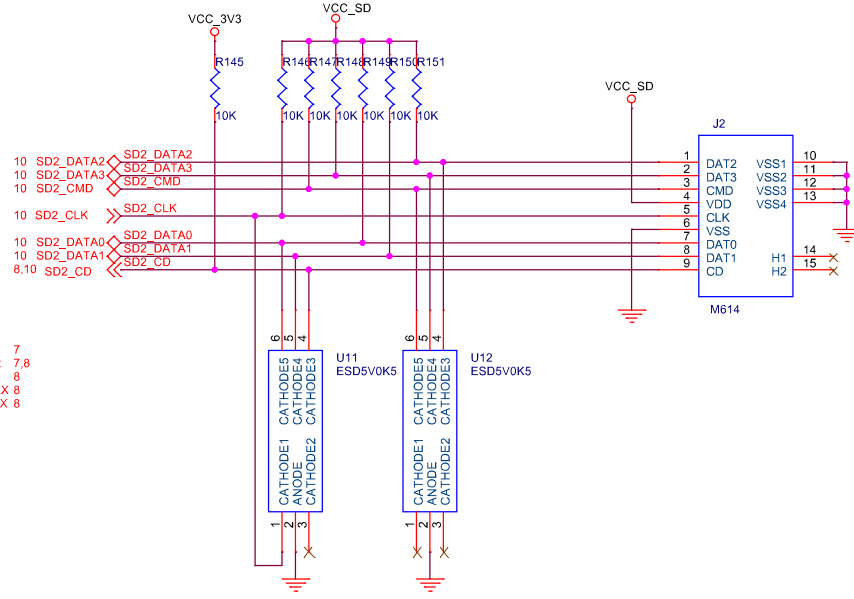
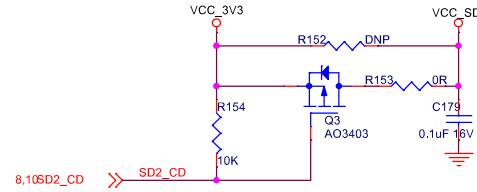
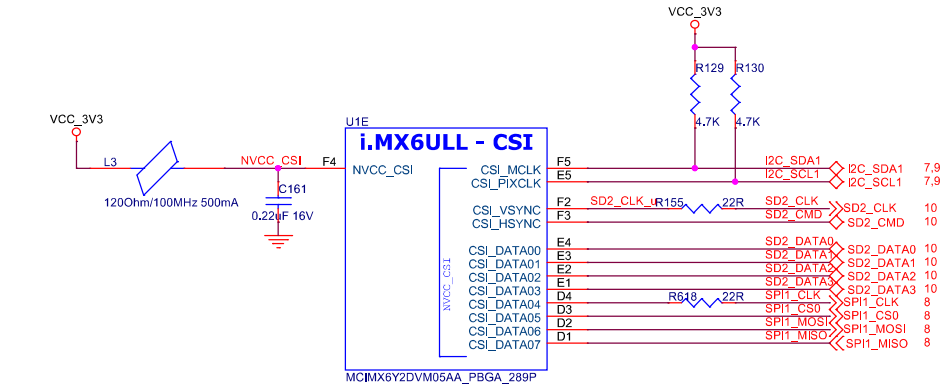


SPI_FLASH



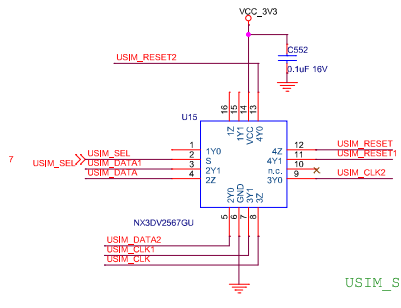
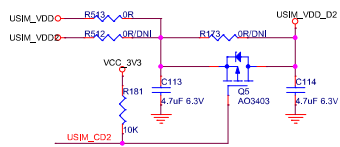
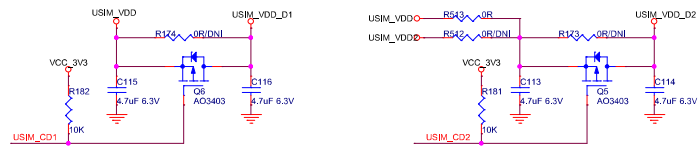
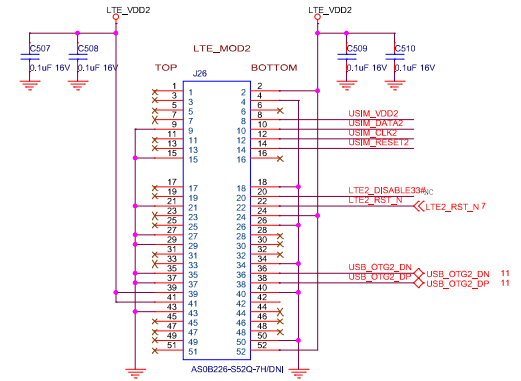
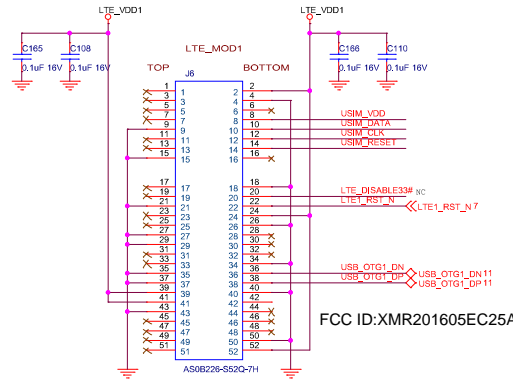
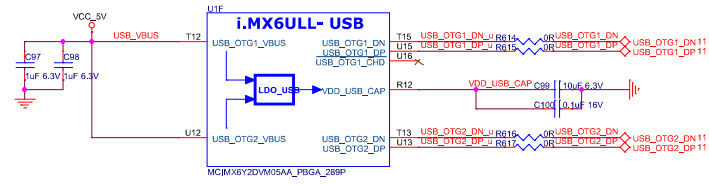
FOR UP BOARD

TF

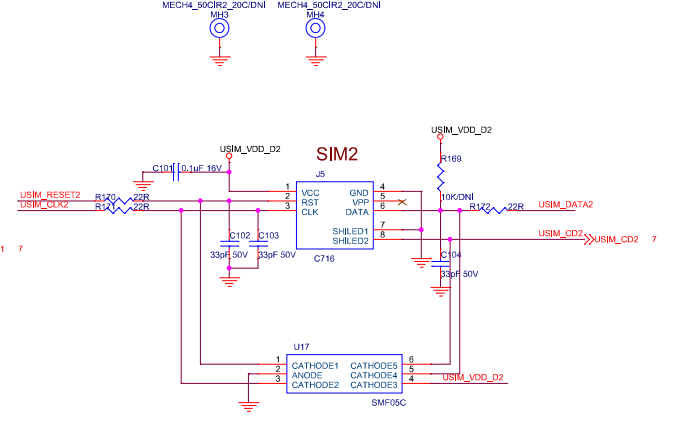
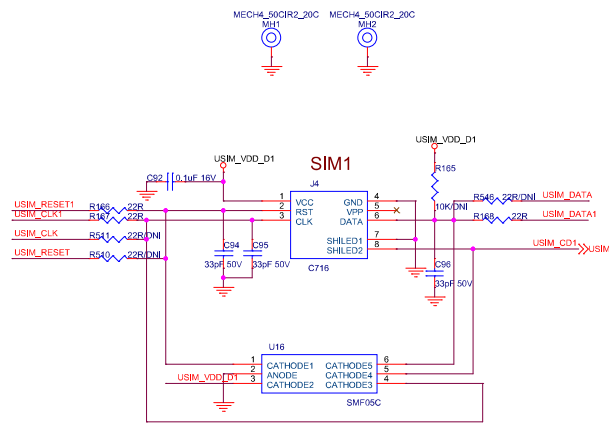


Design Name <Title>		Rev <RevCode>
Size A3	Page Name <Doc>	
Date: Tuesday, January 23, 2018	Sheet 10	of 12

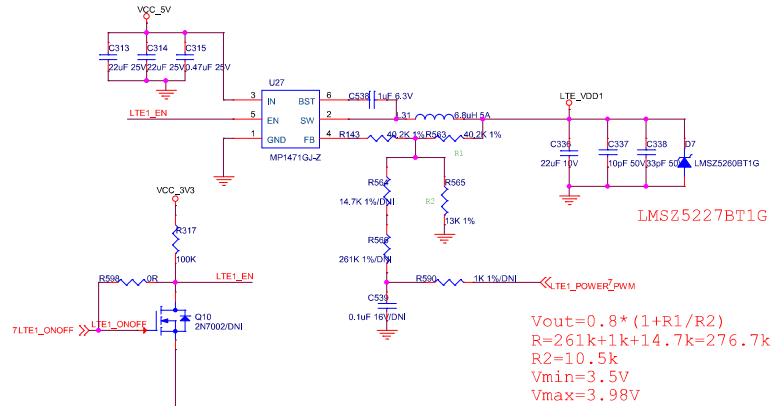
4G_MOD



USIM_SEL: 0-SIM2
1-SIM1



MOD1_4G_POWER/5V ->3V3 (3A)



$$V_{out} = 0.8 * (1 + R1/R2)$$

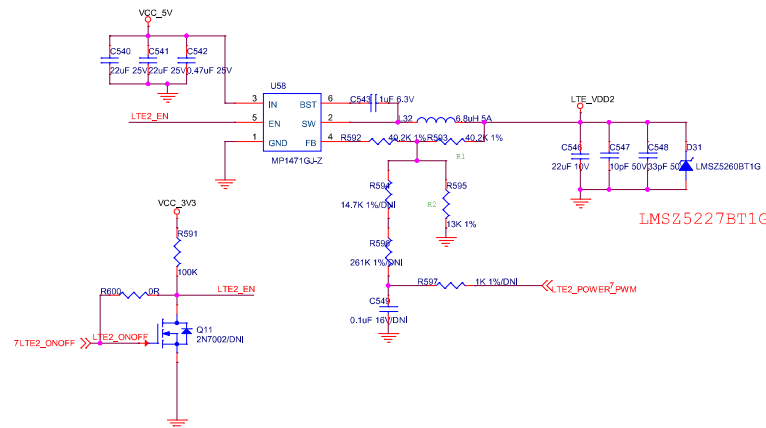
$$R = 261k + 1k + 14.7k = 276.7k$$

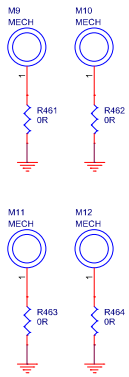
$$R2 = 10.5k$$

$$V_{min} = 3.5V$$

$$V_{max} = 3.98V$$

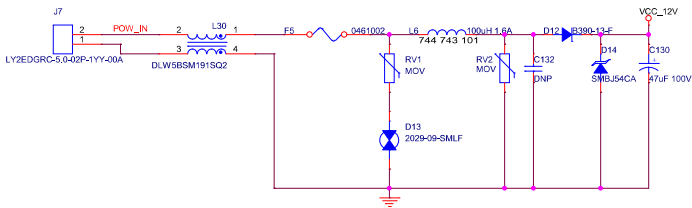
MOD2_4G_POWER/5V ->3V3 (3A)



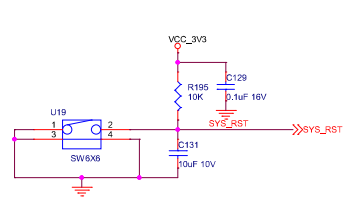


POWER IN

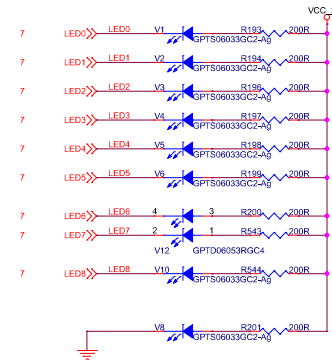
12V-48V (12W)



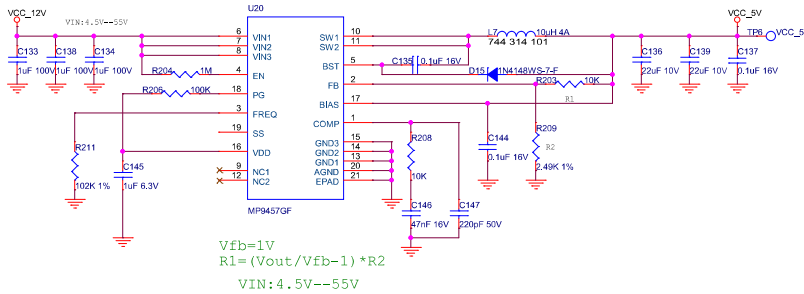
SOFT_RST



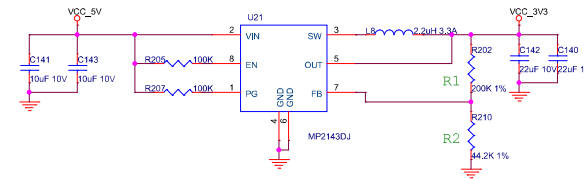
LED



9V~48V ->5V (3A)

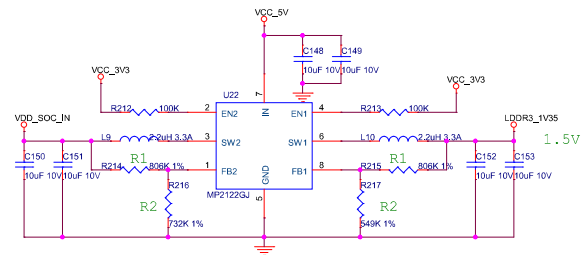


5V ->3V3 (3A)



$V_{out}=0.6 * (1+R1/R2)$
 $IN: 2.5V--5.5V$
 $EN: High Threshold--1.2V$

5V ->1.275V(2A) && 5V ->1.35V(2A)



$1.277V: R2=732K$ $V_{out}=0.608 * (1+R1/R2)$ $1.5V: R1=806K; R2=549K$
 $IN: 2.7V--6V$ $1.345V: R2=665K$
 $EN: High Threshold--1.2V$