

MF410-YOOTECH-英文-3折说明书-20211022-V4.0




尺寸: 108*72mm

材料: 128g双铜纸

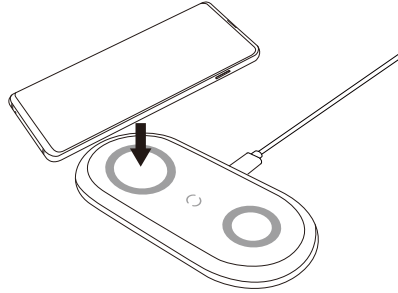
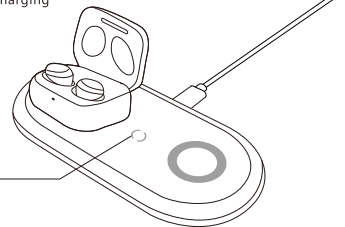
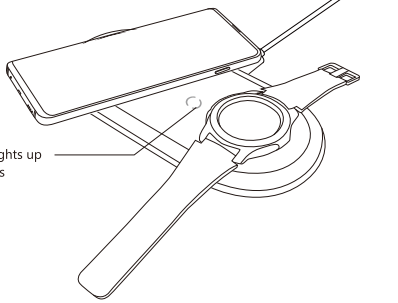
工艺: 黑色印刷

折法: 风琴折

正面

| | | |
|---|--|--|
| <p style="text-align: center;">MF410</p>  <p style="text-align: center;">FCC CE</p> | <p style="text-align: center;"></p> <div style="display: flex; justify-content: space-around;"> <div style="text-align: center;">  <ul style="list-style-type: none"> • Slim Case(within 4mm) • Dicke der Hülle (innerhalb von 4mm) </div> <div style="text-align: center;">  <ul style="list-style-type: none"> • Case Thickness(Over 4mm) • Dicke der Hülle (außerhalb von 4mm) </div> </div> <div style="display: flex; justify-content: space-around; margin-top: 10px;"> <div style="text-align: center;">  <ul style="list-style-type: none"> • Metal Ring/Case • Metallring/Metallhülle </div> <div style="text-align: center;">  <ul style="list-style-type: none"> • Magnetic Pad • Magnetisches Pad </div> </div> | <p style="text-align: right;">Use Instruction EG</p> <p>1. Please choose a certified 5V.3A adapter or 9V.2.2A fast charging adapter.</p>  <p>Both LED Lights will be on for 3s</p> <p>2. Connecting power with USB port, the indicator will light up for 3 seconds when powered on.</p> |
|---|--|--|

反面

| | | |
|---|--|---|
| <p>3. ③ Place your Phone/ AirPods Pro/ Galaxy Buds Live on the larger circle above the wireless charging pad.</p>  <p>④ When charged, the LED indicator will be on for 15 seconds and then off to keep the whole charging process sleep-friendly.</p>  <p>LED lights up for 15s</p> | <p>3. ③ Place your Samsung Galaxy Watch on the smaller circle above the wireless charging pad, and ensure it is in the "sweet spot" for efficient charging experience.</p>  <p>LED lights up for 15s</p> <p>Product Specification</p> <p>Model: MF410 Size: 108mm*88mm*19mm Input: 5V 3A, 9V 2.2A Charging Distance: 4mm-6mm Coil: 1+1 coils</p> | <p>Attention</p> <ol style="list-style-type: none"> 1. Keep the charger away from water and other liquid. 2. Please make sure the power is cut off before cleaning the charger. 3. Use the charger between 0-45°C. 4. When the output is insufficient(Connect the computer directly), one of the led indicators will blink. Please connect to the power source with the original adapter or other high-quality adapters recommended. |
|---|--|---|

FCC Statement

This device complies with part 18 of the FCC Rules. Operation is Subject To the following two conditions:(1) This device may not cause harmful interference, and (2) this device must accept any interference received, including interference that may cause undesired operation. Changes or modifications not explicitly approved by the party responsible for compliance could void the user's authority to operate this equipment. Note: this equipment has been tested and found to comply with the limits for a Class B digital device, pursuant to part 18 of the FCC Rules. These limits are designed to provide reasonable protection against harmful interference in a residential installation. This equipment generates, uses and candidate radio frequency energy and, if not installed and used in accordance with the instructions, may cause harmful interference to radio communications. However, there is no guarantee that interference will not occur in a particular installation. If this equipment does cause harmful interference to radio or television reception, which can be determined by turning the equipment off and on, the user is encouraged to try to correct the interference by one or more of the following measures:

- o Reorient or relocate the receiving antenna
- o Increase the separation between the equipment and receiver
- o Connect the equipment into an outlet on a circuit different from that to which the receiver is connected
- o Consult the dealer or an experienced radio/TV technician for help

The equipment complies with FCC radiation exposure limits set forth for an uncontrolled environment. During the operation of device a distance of 15 cm surrounding the device and 20 cm above the top surface of the device must be respected.

This device complies with Part 18 of the FCC Rules. This equipment generates uses and can radiate radio frequency energy and, if not installed and used in accordance with the instructions, may cause harmful interference to radio communications. If this equipment does cause harmful interference to radio or television reception, which can be determined by turning the equipment off and on, the user is encouraged to try to correct the interference by one or more of the following measures:

- * Increase the separation between the equipment and any other radio device
- * Connect the equipment into an outlet on a circuit different from that to which the receiver is connected