

4

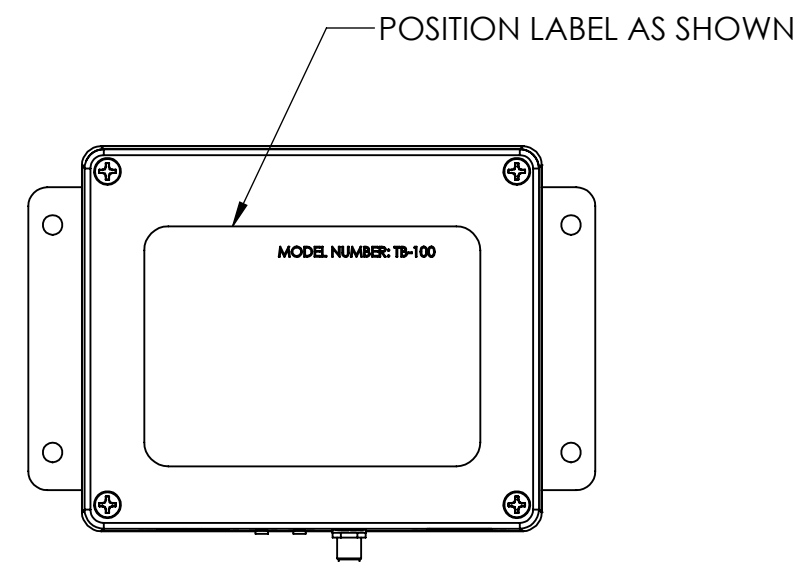
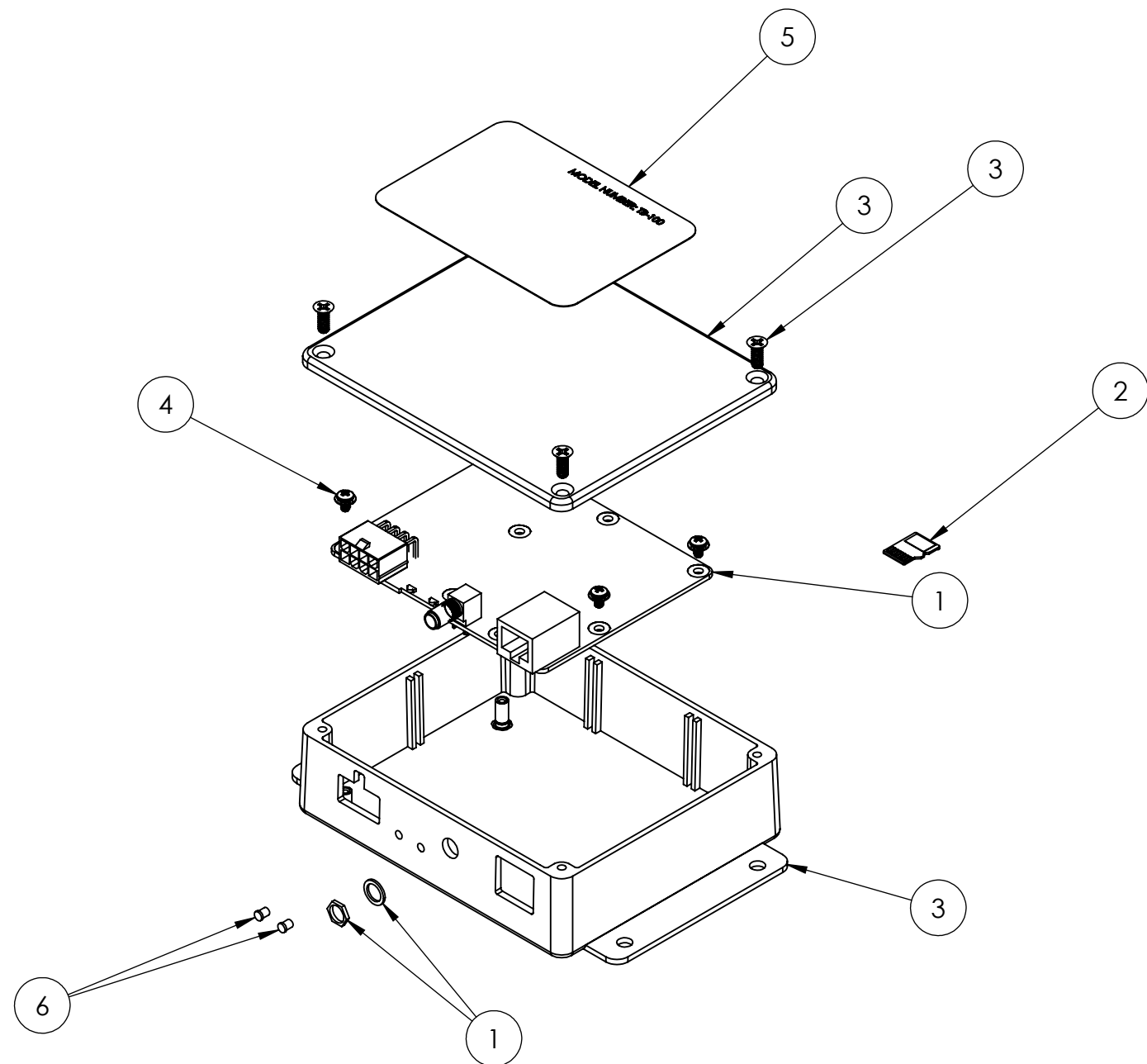
3

2

1

REVISIONS

REV.	DESCRIPTION	DATE	APPROVED



This technology is controlled under the (EAR) Export Administration Regulations and may not be exported to a Foreign Person, either in the U.S. or abroad, without proper authorization from the U.S. Department of Commerce

L3 TECHNOLOGIES PROPRIETARY

THE INFORMATION CONTAINED IN THIS DRAWING IS THE SOLE PROPERTY OF L3 TECHNOLOGIES. ANY REPRODUCTION IN PART OR AS A WHOLE WITHOUT THE WRITTEN PERMISSION OF L3 TECHNOLOGIES IS PROHIBITED.

UNLESS OTHERWISE SPECIFIED:
 DIMENSIONS ARE IN INCHES
 TOLERANCES:
 FRACTIONAL ± 1/16
 ANGULAR: MACH ± BEND ±
 TWO PLACE DECIMAL ±.02
 THREE PLACE DECIMAL ±.005



400 COMMONS WAY, SUITE F
 ROCKAWAY, NJ 07866

TITLE:		ASSEMBLY, TRIGGER MODULE			
MATERIAL	NAME	DATE	SIZE	DWG. NO.	REV
FINISH	DRAWN		B	ZAS-TM010001	
DO NOT SCALE DRAWING			SCALE: 1:2	SHEET 1 OF 1	

4

3

2

1

B

B

A

A