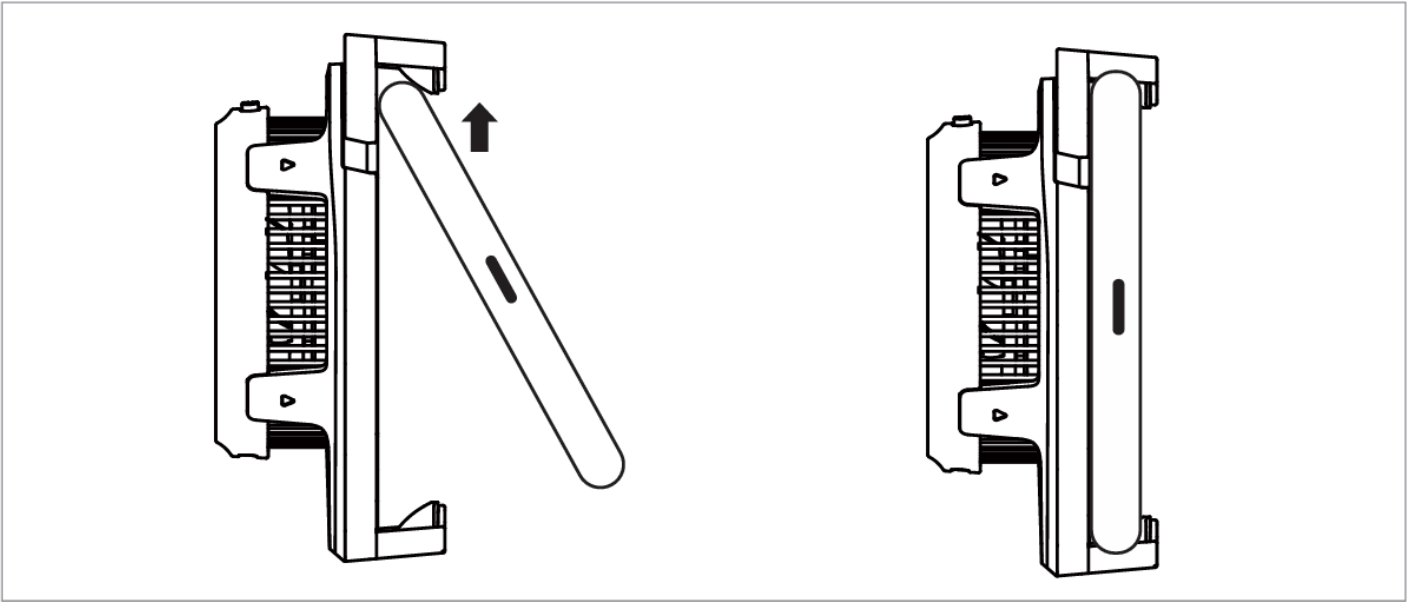
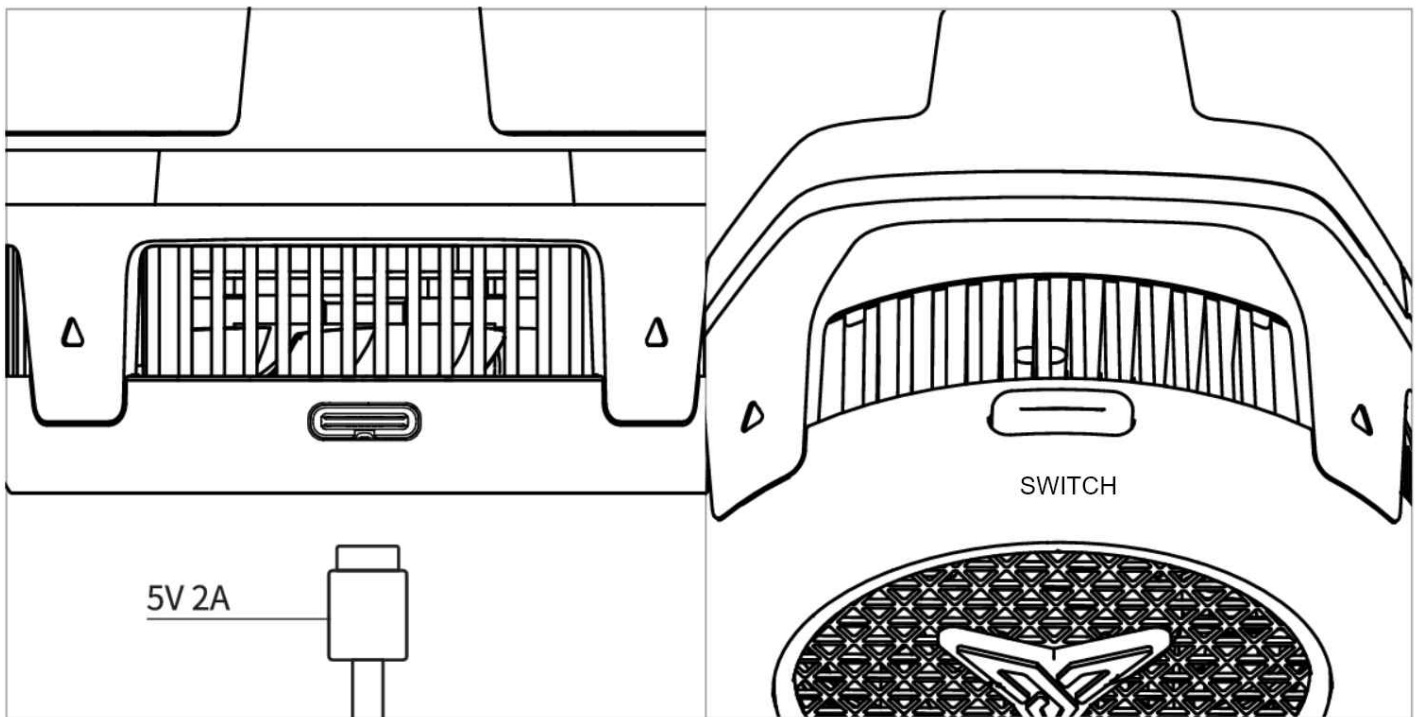


【B7 English User Manual】 Flydigi Mobile Phone Cooling Fan B7

Flydigi Mobile Phone Cooling Fan B7 User Manual



Hold mobile phone and push up against upper pull hook



1. First to use: The default mode is the Smart Frequency Conversion mode. Notice: 5V 2A or higher charger output is required.

2. Power Switch: Click can control the cooling fan on and off

Download Feizhi Game Center



扫描二维码, 下载飞智游戏厅

开启蓝牙连接散热器, 可以切换多种模式, 查看线上教程

Scanning QR code to download Flydigi Game Center.
Turn on the Bluetooth to connect Cooling fan can change to
multiple modes, view more tutorials

Smart Frequency Conversion

Cooling fan will auto adjust cooling power for safe use of your phone. It is recommended to use a 20W or above power charger, otherwise the maximum power cannot be activated

Fixed power

Cooling fan will auto adjust cooling power for safe use of your phone. It is recommended to use a 20W or above power charger, otherwise the maximum power can not be activated

Q&A

Q1: Is it necessary to pair with a charger without power of 27W and above?

A1: In order to active maximum power, we recommend to pair with.

Q2: Why does the Cooling fan suddenly stop working?

A2: When the temperature of the product is too high, the automatic protection mechanism will be

triggered, which will automatically stop working. Please put it in a cool place and make sure before

restarting.

Q3: Does B7 have battery inside?

Flydigi Mobile Cooling Fan B7 doesn't have battery inside does not support battery charging

Notes

1. Please make sure you read through all safety information before using device.

2. Do not insert fingers or foreign objects into or block the air inlet to avoid damage or overheating

of the product. Please do not block the air inlet to avoid damage or overheating of the device

3. Warning: This device contains magnets that may interfere with functioning of implantable medical

devices or personal medical devices, such as pacemakers, cochlear implants, hearing aids, etc.

It is

suggested that a distance of 15cm or above be kept between the said medical devices and

B7.

FCC Statement

This device complies with Part 15 of the FCC Rules. Operation is subject to the following two conditions:

(1) This device may not cause harmful interference.

(2) This device must accept any interference received, including interference that may cause undesired operation.

2. Changes or modifications not expressly approved by the party responsible for compliance could void the user's authority to operate the equipment.

Note: This equipment has been tested and found to comply with the limits for a class B digital device, pursuant to Part 15 of the FCC Rules. These limits are designed to provide reasonable protection against harmful interference in a residential installation.

This equipment generates uses and can radiate radio frequency energy and, if not installed and used in accordance with the instructions, may cause harmful interference to radio communications. However, there is no guarantee that interference will not occur in a particular installation. If this equipment does cause harmful interference to radio or television reception, which can be determined by turning the equipment off and on, the user is encouraged to try to correct the interference by one or more of the following measures:

- Reorient or relocate the receiving antenna.
- Increase the separation between the equipment and receiver.
- Connect the equipment into an outlet on a circuit different from that to which the receiver is connected.
- Consult the dealer or an experienced radio/TV technician for help.

The device has been evaluated to meet general RF exposure requirement.

The device can be used in portable exposure condition without restriction.