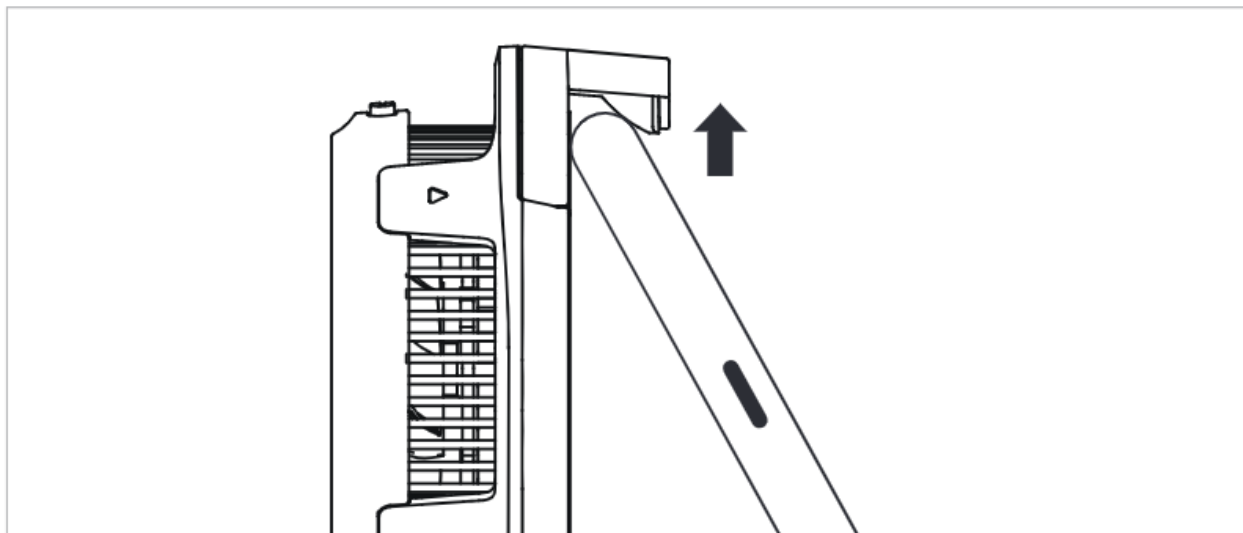
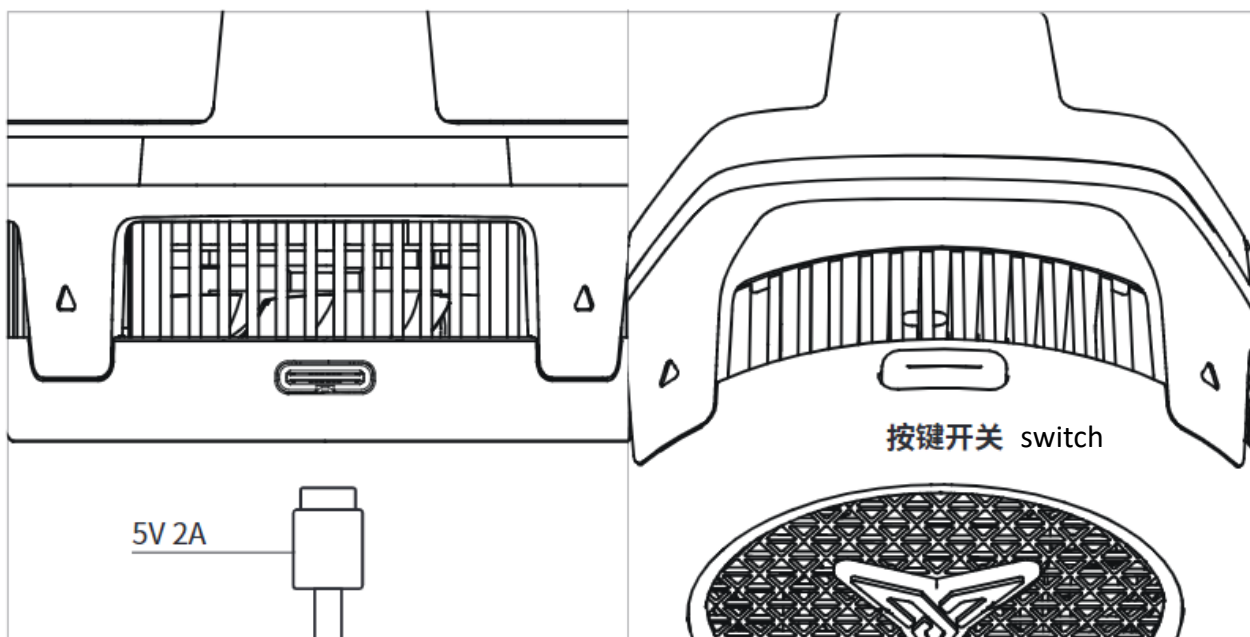


英文说明书
B6

飞智散热器B6 背夹版 使用说明书



手持手机，抵住上槽后向上推
Hold mobile phone and push up against upper pull hook



1.初次使用，接通电源即开启散热器的智能变频模式；确保充电器的输出功率为5V 2A或以上。
1. First to use: The default mode is the Smart Frequency Conversion mode. Notice: 5V 2A or higher charger output is required.

2.按键开关：单击可控制开启或关闭散热器。
2. Power Switch: Click can control the cooling fan on and off



扫描二维码，下载飞智游戏厅
Scanning QR code (left) to download Flydigi Game Center.

开启蓝牙连接散热器，可以切换多种模式，查看线上教程
Turn on the Bluetooth to connect Cooling fan can change to
multiple modes, view more tutorials.

智能变频

Smart Frequency Conversion

散热器会根据温度自动调节制冷功率，建议搭配20W及以上功率充电器，否则无法激活最大功率。
Cooling fan will auto adjusts cooling power for safe use of your phone. It is recommended to use a 20W or above power charger, otherwise the maximum power cannot be activated.

额定输出

Rated Output

散热器会根据所选档位输出制冷功率，建议搭配20W及以上功率充电器，否则无法激活最大功率。
Cooling fan will output cooling power according to the selected level. It is recommended to use a 20W or above power charger, otherwise the maximum power cannot be activated.

产品名称：飞智散热器B6 磁吸版

Product Name: Flydigi Mobile Phone Cooling Fan B6

产品型号：Flydigi B6

Model: Flydigi B6

包装内容：飞智散热器B6、充电线*1

In the box: Cooling Fan, Type-C Cable

常见问题 Q & A

1.是否必须配备20W及以上功率充电器？

Q1: Is it necessary to pair with a charger with outpower of 20W and above?

为了激活散热器的最大功率，建议配备。

A1: In order to active maximum power, we recommend to pair with.

2.为什么散热器突然不工作？

Q2: Why does the Cooling fan suddenly stop working?

当产品温度过高时会触发自动保护机制，自动停止工作，请静置放凉后再重新启动。

A2: When the temperature of the product is too high, the automatic protection mechanism will be triggered, which will automatically stop working. Please put it in a cool place and make sure before restarting.

Name and Concentration of Toxic or Hazardous Substances and Elements

有毒有害物质说明

单元	限用物质及化学符号					
	铅 (Pb)	汞 (Hg)	镉 (Cd)	六价铬 (Cr(VI))	多溴联苯 (PBB)	多溴二苯醚 (PBDE)
PCBA	○	○	○	○	○	○
附件	×	○	○	○	○	○

本表格依据SJ/T 11364-2014的规定编制。

- 表示该有害物质在该部件所有均质材料中的含量均在GB/T 26572-2011规定的限量要求以下。
- × 表示该有害物质至少在该部件的某一均质材料中的含量超出GB/T 26572-2011规定的限量要求。



本标识内数字标识产品在正常使用状态下的环保使用期限为10年。

This table is based on the regulations of SJ/T 11364-2014

Indicates that the concentration of the toxic or hazardous substance in all homogeneous materials in this part is below the limit requirement in GB/T26572-2011

Indicates that the concentration of the toxic or hazardous substance in at least one homogeneous material of this part exceeds the limit requirement in GB/T26572-2011

The environmentally-friendly use period of this product is 10 years based on normal operating conditions

自用户购买之日15天内出现质量问题，可联系购买店铺，进行退货或换货处理。
If quality problems occur within 15 days from the date of purchase, the user can contact the purchase shop for return or exchange.

Federal Communications Commission (FCC) Statement

The device has been evaluated to meet general RF exposure requirement, The device can be used in portable exposure condition without restriction Federal Communication

Commission (FCC) Radiation Exposure Statement Power is so low that no RF exposure calculation is needed.

This device complies with part 15 of the FCC rules. Operation is subject to the following two conditions: (1) This device may not cause harmful interference, and (2) This device must accept any interference received, including interference that may cause undesired operation.

Note: The manufacturer is not responsible for any radio or TV interference caused by unauthorized modifications or changes to this equipment. Such modifications or changes could void the user's authority to operate the equipment.

Note: This equipment has been tested and found to comply with the limits for a Class B digital device, pursuant to part 15 of the FCC Rules. These limits are designed to provide reasonable protection against harmful interference in a residential installation, This equipment generates uses and can radiate radio frequency energy and, if not installed and used in accordance with the instructions, may cause harmful interference to radiocommunications. However, there is no guarantee that interference will not occur in a particular installation. If this equipment does cause harmful interference to radio or television reception. which can be determined by turning the equipment off and on, the user is encouraged to try to correct the interference by one or more of the following measures:

Reorient or relocate the receiving antenna.

Increase the separation between the equipment and receiver. Connect the equipment into an outlet on a circuit different from that to which the receiver is connected

Consult the dealer or an experienced radio/ TV technician for help.