

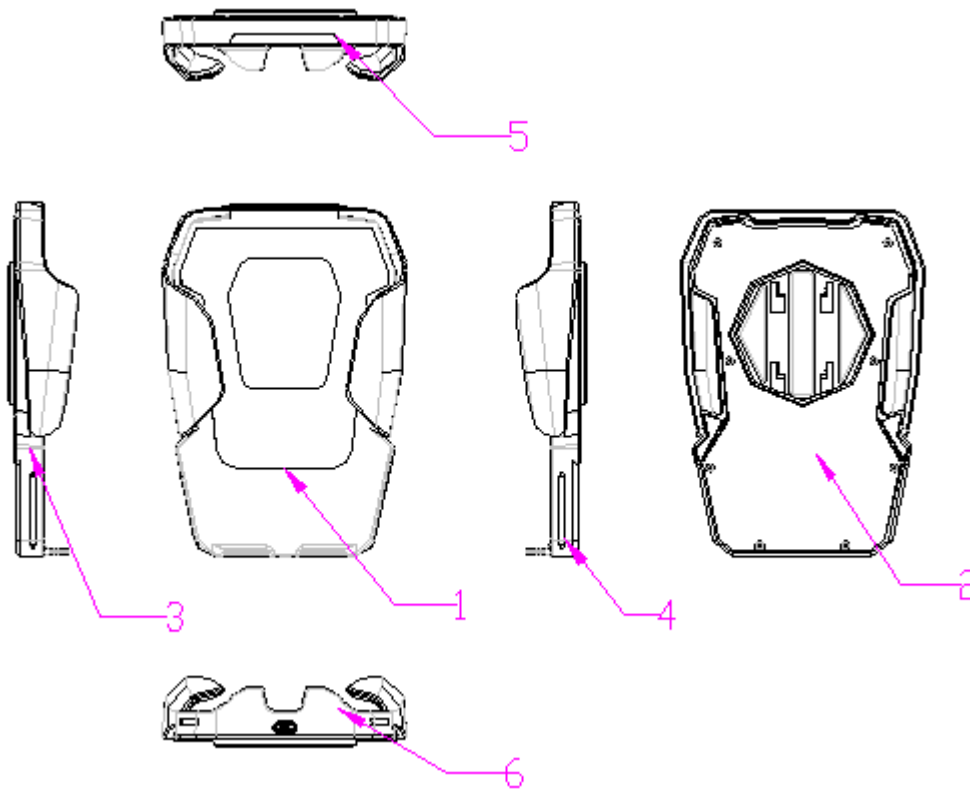
Wireless Fast Charger Manual

- This product is compatible with Wireless charging protocol of Qi (V1.0、V1.1 & V1.2) WPC.
- Suitable for all smart phones with wireless charging function.

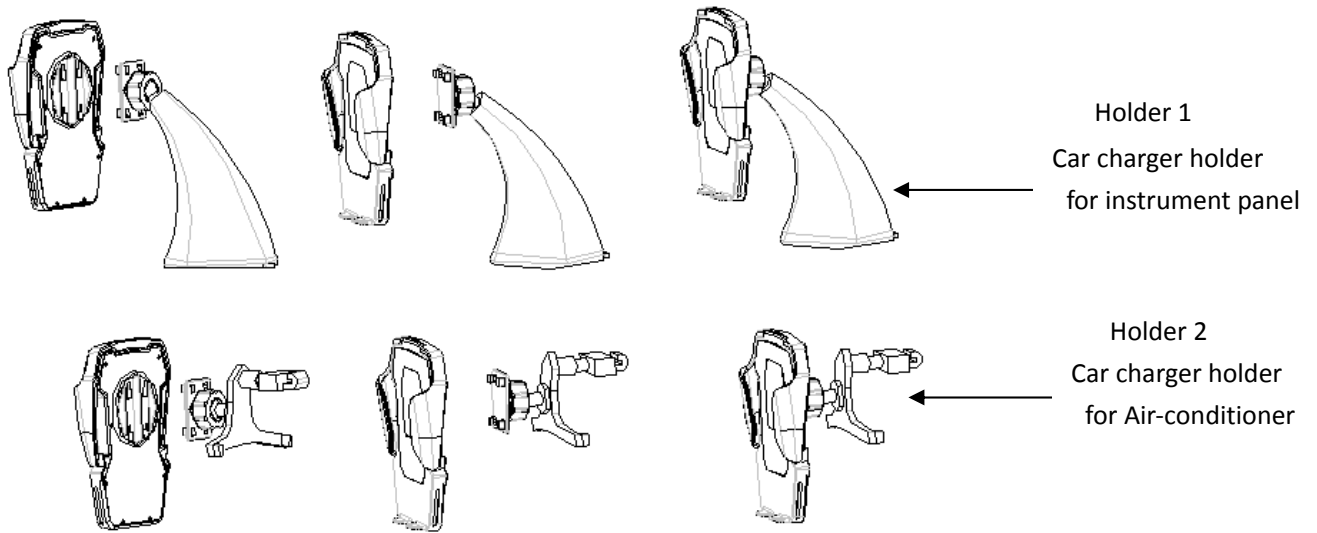
- **Content:**

1. User manual
2. Wireless charger
3. Micro USB cable

- **Product description:**



1. Front; 2. back; 3. left; 4. right; 5. top; 6. bottom;



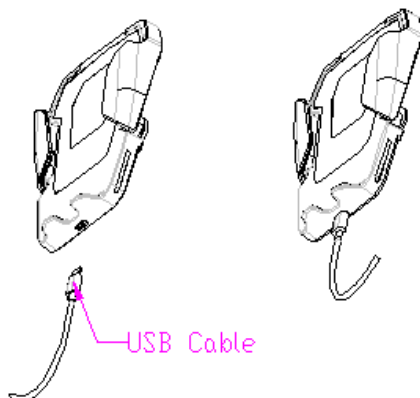
● **Use steps:**

1. There are two type holder can be selected base on you loving:

holder 1, fixed charger to instrument panel for car, see the above figure: holder 1

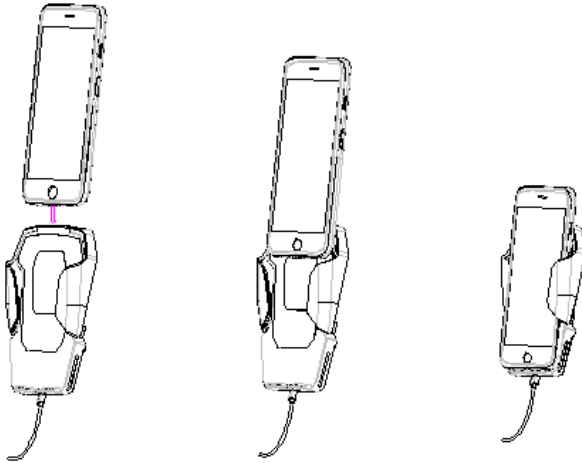
holder 2, fixed charger to air-conditioner port for car, see the above figure: holder 2

2. When you connect the Micro USB cable between the charger and a power adapter and supply AC power into the power adapter, the operation as below, the red LED light will turn on.



2. Put the phone on the wireless charger, base on below figure insert the phone into the charger pad and fixed the phone well. Then will charge the phone and blue LED light is on.

3. If you remove your device from the charger the red LED turns on again.



● Light status:

1. Red led: power on, no charging
2. Blue light: charging
3. Red light flashing: charging full for smart phone with Samsung.
4. Blue light flashing: voltage/current/temperature anomalies.

● Notes:

1. This product must be used as required; otherwise it can cause a fire, explosion or other danger risk.
2. Check that the USB cable is suitable for charging. The device charging current is large and requires a 1.6-2.0A USB cable, otherwise the charger may not charge or negative phenomena such as frequent restart can be caused.
3. To ensure that no debris are on the charging platform, sensitive equipment and other non-metals or electromagnetic QI articles should not be placed on the charging platform.
4. Ensure that the device meets the coil location. If it doesn't fit the charger may not charge or negative phenomena such as frequent restart can be caused.
5. Ensure the charging platform and the device are not overheating. If the charger or the device reach an unusual level - please cut off the power supply and contact the manufacturer.
6. Keep the device dry, do not store or use the charger in very hot or very cold environments.
7. Do not attempt to open, throw, hit or shake the charger.
8. **Medical device manufacturers recommended distance between a wireless device and an implanted medical device at least 20cm!** To avoid potential interference with the medical device, if there is any reason to **suspect** that interference occurs, please cut off the power immediately and contact the manufacturer and your doctor.

● Specification:

Standard: Qi standard compliant V1.0/V1.1/V1.2

Number of coils: two

Charging distance: $\leq 8\text{mm}$

Input: micro USB 9V/1.8A QC2 or QC3 for car

Wireless output self-adaption

Output (Normal Mode): 5W max.

Output (Fast Charge Model): 10W max, ONLY for Samsung Galaxy S7, S7 Edge, Note 5 and S6 Edge+. QC 2.0 Adaptive Fast Charger is required for the fast charge wireless charging feature.

Charging efficiency: $\leq 78\%$

Operating temperature: $0^{\circ}\text{C} - 50^{\circ}\text{C}$

Humidity range: 45-85%RH

FCC Statement:

This device complies with Part 15 of the FCC rules. Operation is subjected to the following two conditions:

(1) this device may not cause harmful interference, and (2) this device must accept any interference received, including interference that may cause undesired operation. Changes or modifications not expressly approved by the party responsible for compliance could void your authority to operate the equipment.

The distance between user and products should be no less than 20cm