

# D FINE

BLUETOOTH SPEAKER



User manual

 Vous pouvez trouver le manuel en français sur :

 Puedes encontrar el manual en español en:

 Potete trovare il manuale in italiano su:



<https://support.dockin.de/hc/de/sections/360005648619-Bedienungsanleitung-Manual>

## CONTENT

### GENERAL

Welcome to the Dockin family!	4
Speaker arrangement	5
Connections	5
Controls	6

### SAFETY

Reading and storing the user manual	7
Explanation of symbols and terms	7
Proper use	8
Safety Notes	9

### OPERATION

Checking the package contents	13
Turning the D FINE on	13
Pairing	13
Changing the source device/disconnecting	14
Turning the D FINE off	14
AUX mode	15
Charging the D FINE	15
Power-saving function	15
Power bank function	15
Micro-USB service port	16
Care and storage	16
Troubleshooting	17
Technical Specifications	17
Declaration of conformity	18
Manufacturer information and service	18
Disposal	19
FCC	20

## WELCOME TO THE DOCKIN FAMILY!

### About DOCKIN

Honesty and authenticity are at the core of what we believe in. Both are incorporated into our daily work and are therefore an integral part of DOCKIN as a brand and our products.

We meet the challenge of a new, young brand in the rather conservative audio market head on. Being on the frontier of technology, delivering products for a better life and better sound for our entire community — whether it is through our products, our customer service or through reaching out to you in other ways.

### OUR MISSION

We put our passion into audio concepts that enhance your experience of unique sound in your flexible and mobile life – anytime and anywhere! First-class workmanship and a captivating sound are always in the centre of our focus.

### PASSION FOR SOUND

... is more than just flakey marketing speak. Our team consists of people with strong backgrounds in audio and a passion for sound and aesthetics. The love for music, sound and technology unites our team and makes our products unique in the audio landscape.

You can learn even more about us at [www.dockin.de/about](http://www.dockin.de/about)! Here are some curated playlists for you, which you can listen to there and on Spotify. Just come over and take a look!



Spotify:  
dockin\_de

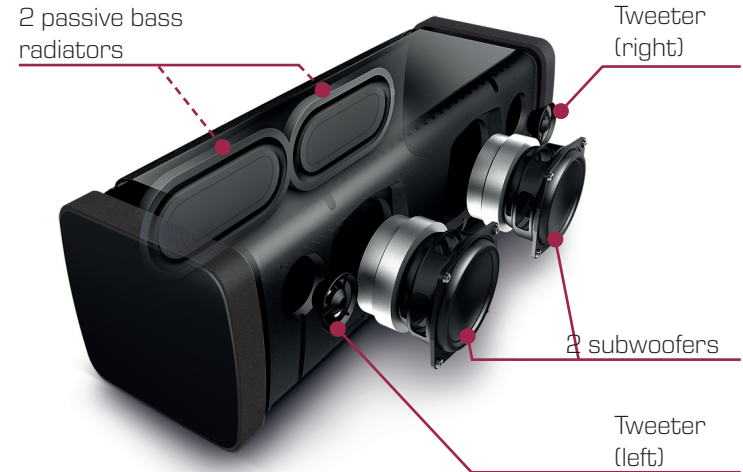


Instagram:  
dockin\_de

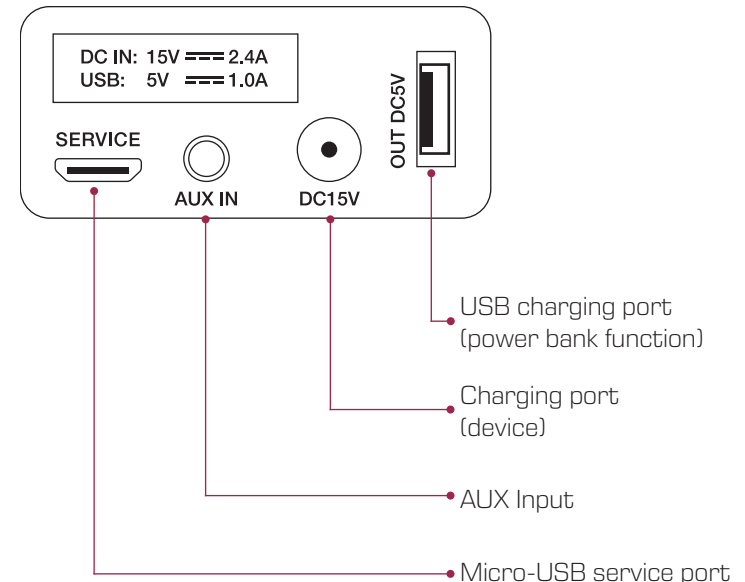


Facebook:  
DOCKIN

## SPEAKER ARRANGEMENT



## CONNECTIONS



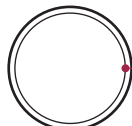
## CONTROLS



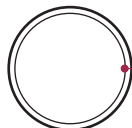
NFC logo



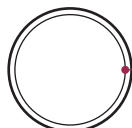
Bluetooth® status LED



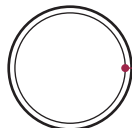
Push and hold:  
Turn the device on/off



Push: Play/Pause  
Push and hold: Disconnect Bluetooth®



Push: Increase the volume  
Push and hold: Next track



Push: Reduce the volume  
Push and hold: Previous track



Rechargeable battery  
status LED

## READING AND STORING THE USER MANUAL



This user manual for your D FINE Bluetooth® speaker (hereinafter referred to only as “D FINE”) contains important information about safety and handling.

Therefore, read the user manual carefully before using the D FINE and also store it in a safe place for future reference. If you do not observe the information in the user manual, in particular the safety notes, this may result in damage to property and, in the worst case, even injury to persons. If you pass your D FINE on to someone, make sure to also include this user manual.

This user manual is based on the standards and rules in force in the European Union. When abroad, also be sure to observe the country-specific guidelines and laws.

You can download this user manual as a PDF file at [www.dockin.de](http://www.dockin.de) under **Support**.

## EXPLANATION OF SYMBOLS AND TERMS

Here, you will find a list of the safety-relevant symbols and terms, which are used in this user manual, on the D FINE or on its packaging.



### WARNING

This combination of a warning symbol and term indicates a moderate risk, which, if not avoided, may result in death or severe injury.

### NOTICE

This signal term warns you of potential damage to property.



The GS symbol on the mains adapter stands for tested safety. Products labelled with this symbol meet the requirements of the German Product Safety Act (ProdSG).



This symbol indicates that the wall adapter is a device belonging to protection class II.



Declaration of conformity (see chapter "Declaration of conformity"): This symbol indicates products that fulfil all applicable Community regulations in the European Economic Area.



This symbol certifies that the radiated electromagnetic interference of the device is under the limit approved by the US Federal Communications Commission.



ETL Listed test seal: Products labelled with this symbol meet the requirements of electrical product safety of the United States of America.



The wall adapter may only be used indoors.

## PROPER USE

The D FINE is designed as a speaker for private use. It is not suitable for commercial use. You can connect to a source device of your choice in the following ways: You can connect the source device to the D FINE via Bluetooth® 5.0, EDR, NFC or using an AUX cable.

The D FINE also has a power bank function, that is, you can also connect suitable external devices to the D FINE and charge them using the integrated rechargeable battery of the D FINE.

The power cable contained in the package contents is designed for charging the D FINE. If you want to charge an external device on the D FINE using the power bank function, you may, depending on the respective external device, need an additional cable that is not included in the package contents.

Only use the D FINE as described in this user manual. Any other use is deemed improper and may result in damage to property or even injury to persons. The D FINE is not a children's toy.

The manufacturer or vendor accepts no liability for damage caused by improper or incorrect use.

## SAFETY NOTES



### WARNING

#### Risk of electrical shock!

Improper handling, incorrect electrical installation or excessive mains voltage may result in an electrical shock.

- Make sure that the mains voltage of the socket corresponds to the specification on the rating plate if you connect the D FINE to it for charging purposes.
- Make sure that the socket that you connect the D FINE to is readily accessible so that you can quickly disconnect the D FINE from the mains supply in the event of a fault.
- Only use the power cable contained in the package contents to charge the D FINE.
- Stop using the D FINE if it exhibits visible damages or if the power cable or its connector plug is defective.
- Do not in any case open the housing of the D FINE. Instead, contact a qualified workshop for repairs. Liability and warranty claims are excluded in the event of repairs performed by yourself, improper connection or incorrect operation.
- Only parts that comply with the original device data may be used for repairs. There are electrical and mechanical parts in the device which are necessary in order to avoid exposure to sources of danger.
- Do not in any case submerge the D FINE and the power cable in water or other liquids.
- Do not use the D FINE in the rain or in wet rooms.
- Make sure that the D FINE and the power cable do not come into contact with open flames and hot surfaces.
- Make sure that the power cable is not kinked and do not lay it over sharp edges.
- Disconnect the D FINE from the power supply once it is fully charged, before you clean the D FINE or if a fault occurs.
- Immediately disconnect any external devices connected to the D FINE if a fault occurs.

**WARNING**  
**Risk of explosion and fire!**

Improper handling of the D FINE can cause the integrated rechargeable battery to explode or cause a fire.

- Do not subject the D FINE to excessive warmth or heat such as direct sunshine, fire or similar.

Only use the power cable contained in the package contents to charge the D FINE.

**WARNING**  
**Danger of chemical burns!**

Leaked battery fluid can cause chemical burns if it comes into contact with the skin or other parts of the body.

- If you notice that battery fluid is leaked, be absolutely sure that it does not come into contact with your skin, eyes or mucous membranes. If you have accidentally come into contact with battery fluid, immediately rinse the affected areas with plenty of clean water and promptly contact a physician.
- Be absolutely sure to use protective gloves in the event of a leaked rechargeable battery and remove any battery fluid that has leaked with a dry, absorbent cloth.

**WARNING**  
**Risks to certain groups of persons!**

- The D FINE may be used by children ages eight and over as well as persons with impaired physical, sensory or mental capacities or those lacking experience and knowledge if they are supervised or have been instructed in how to safely use the D FINE and have understood the risks associated with operating it. Children must not play with the D FINE. Cleaning and user maintenance must not be performed by unsupervised children.
- Make sure that children do not play with the packaging material or the D FINE.

- Keep children under the age of 8 away from the D FINE and the power cable.
- Keep the D FINE out of the reach of children.
- Do not leave the D FINE unattended while charging an external device.

**WARNING**  
**Health hazard!**

During operation, the D FINE generates magnetic fields, which can interfere with the functioning of medical devices such as pacemakers. Using the D FINE in certain locations can also result in faults or accidents.

- Always keep a distance of at least 10 cm between the medical device and the D FINE. If necessary, consult your physician if you have any questions.
- Do not use the D FINE in environments where there is a risk of explosion.
- Make sure that you only use the D FINE where wireless transmissions are permitted.

**WARNING**  
**Risk of hearing loss!**

Listening at a high volume for prolonged periods poses a risk of hearing loss.

- Avoid listening at a high volume for a prolonged period of time.
- Make sure that you maintain adequate distance to the D FINE and never hold your ear up to one of the speakers.
- Set the volume on the source device to a low level before starting playback on the D FINE. If you set the source device to full volume, very high noise pressure may result, which may not only inflict organic damage, but also have psychological effects. Children and pets are particularly at risk in this respect.

**NOTICE****Risk of damage!**

Improper handling can cause damage to the D FINE.

- Do not place the D FINE on or near hot surfaces (stovetops, heaters etc.).
- Do not allow the power cable to come into contact with hot parts.
- Fully recharge the D FINE approximately every six months, even if you are not using the D FINE at all or only irregularly.

**CHECKING THE PACKAGE CONTENTS**

Make sure that the package contents are complete and that all parts are undamaged before you commission the D FINE.

1. Take the D FINE and all accessories out of the packaging.
2. Use the following list to check whether the package contents are complete.

The package contents contain the following individual parts:

- D FINE speaker
  - Power cable with wall adapter
  - AUX cable (3.5 mm plug cable)
  - User manual
3. Check whether the D FINE or the accessories are damaged. If this is the case, do not use the D FINE. Instead, contact the manufacturer at the service address.

**TURNING THE D FINE ON**

- Hold the  button on the top of your D FINE down for 3 seconds to switch the D FINE on.

The D FINE automatically connects with the last Bluetooth® source (blue LED illuminates continuously) or switches to pairing mode if the last source is not available (blue LED blinks quickly).

**PAIRING****Connecting via Bluetooth® function:**

1. Activate Bluetooth® on the source device (Bluetooth® settings).
2. Go to the Bluetooth® settings and scan for discoverable devices.
3. Select "DOCKIN D FINE" from the Bluetooth® device list.

After successful pairing, the blue LED on your D FINE stays lit and you will hear a confirmation sound.

### Connecting via NFC function:


This function is only available if your device supports NFC (*Near Field Communication*).

1. Activate Bluetooth® on the source device (Bluetooth® settings).
2. Activate NFC on the source device.
3. Hold your source device close to the NFC logo on top of the D FINE. First time connection via NFC needs to be confirmed on your source device.

After successful NFC pairing, the blue LED on the D FINE stays lit and you will hear a confirmation sound.

## CHANGING THE SOURCE DEVICE/DISCONNECTING

To select a new playback device while still paired, the current Bluetooth® connection needs to be disengaged.

- Disconnect the current Bluetooth® connection on the source device.
- or**
- Push and hold the  button on your D FINE for approx. 3 seconds.

## TURNING THE D FINE OFF

- Hold the  button on the top of your D FINE down for 3 seconds to switch the D FINE off.

## AUX MODE

You can connect your D FINE to a source device using the provided AUX cable (3.5 mm plug cable).

The D FINE power-saving mode is disengaged when the AUX cable is connected. If the AUX cable and the mains adapter are connected, this permits stationary use, for example as a PC speaker or a TV soundbar.

1. Connect the source device to the AUX input of your D FINE using the provided 3.5 mm plug cable.
2. Start playback on the source device.

## CHARGING THE D FINE

- Charge your D FINE by using the provided power cable. The charging port is located behind the cover on the side.

During charging, the rechargeable battery status LED is green.

Once the device is completely charged, the LED turns off.

If the rechargeable battery has less than 15 minutes of charge remaining, the rechargeable battery status LED will be red.

## POWER-SAVING FUNCTION

If there hasn't been any signal transmission or charging via the USB output for 15 minutes, your D FINE turns off automatically. If the AUX cable is connected, the power saving function is disabled. This allows stationary use.

## POWER BANK FUNCTION

The power bank function enables you to charge the source device with your D FINE.



- To do so, connect the source device to the USB output of your D FINE using a USB cable.

## MICRO-USB SERVICE PORT

The micro-USB service port on the side of your D FINE is used exclusively designed for technical service. Do not plug anything into this port.

## CARE AND STORAGE

### Care and cleaning:

- Use a dry, lint-free cloth to clean your D FINE. Make sure that no liquids penetrate the device!
- Do not in any case use brushes with metal or nylon bristles and do not use any sharp or metallic cleaning utensils for cleaning as they could damage the surface.

### Storage:

- Store your D FINE at room temperature (approx. 5–20 °C) in a dry location where it is protected against direct sunlight.
- Make sure that your D FINE is not accessible for children.
- Always store the D FINE in a charged state.
- Charge your D FINE at regular intervals (approx. every 2–3 months) even if you do not use it at all or only irregularly. As with all lithium ion rechargeable batteries, this is necessary in order to maintain the battery power in the long term.

## TROUBLESHOOTING



### Bluetooth® connection failed:

- Make sure that your D FINE is not already connected with another device (if so, disconnect).
- Ensure that the source device is within a few meters to your D FINE.
- Ensure that Bluetooth® is activated on the source device.
- Deactivate & reactivate Bluetooth® on the source device.
- Turn your D FINE off and on again.

## TECHNICAL SPECIFICATIONS

Article:	D FINE Bluetooth® speaker
Article number:	15231
Rechargeable battery:	Lithium ion (6,600 mAh)
Music playback time:	up to 10 hours
Protection type:	IP55 (protected against dust and splashing water)
Nominal output:	50 W
Power consumption in standby:	< 0.5 W
USB port (power bank function):	USB-A; 5 V; 1 A
Dimensions:	285 × 100 × 103 mm
Weight:	1 930 g
Connection options for external source devices:	Bluetooth® 5.0 + EDR, NFC, AUX
Connections present on the D FINE:	DC 5 V, DC 15 V, 3.5 mm jack plug (AUX), micro-USB

### Information about the wall adapter:

Model:	HNST150240WX
Nominal output for input:	100–240 V~; 50/60 Hz; 1.0 A Max.
Nominal output for output:	15.0 V  2.4 A
Protection class:	II 

### Information about the Bluetooth® function:

Frequency range:	2.402–2.480 GHz
Transmission power:	< 9 dBm at 3.3 V

## DECLARATION OF CONFORMITY

Stage10 GmbH hereby declares that the D FINE radio system described in this user manual complies with the Directive 2014/53/EU.

The full text of the EU declaration of conformity is available at the following Internet address:

<https://support.dockin.de/hc/de/articles/360003225600-EU-Konformitaet>

## MANUFACTURER INFORMATION AND SERVICE

If you have questions regarding the D Fine or if any problems occur during operation or similar, first contact the following body via e-mail:

**info@dockin.de**

DOCKIN is a trademark of Stage10 GmbH | Torstr. 49 | 10119 Berlin

## DISPOSAL

### Disposing of the packaging



Dispose of the packaging sorted into single-type materials:

- Paperboard and cardboard for recycled paper
- Films in the recyclable material collection service

### Disposing of the device

(Applicable in the European Union and other European states with systems for the separate collection of reusable waste materials)



#### **Old devices must not be disposed of with household waste!**

If the D FINE is no longer operational, every consumer is **required by law to dispose of used devices separately from household waste**, e.g. at a collection point run by the communal authority/borough. This ensures that old devices are recycled in a professional manner and also rules out negative consequences for the environment. For this reason, electrical equipment is marked with the symbol shown here.



#### **Batteries and rechargeable batteries do not belong in the household garbage!**

As the end user you are required by law to bring all batteries and rechargeable batteries, regardless whether they contain harmful substances\* or not, to a collection point run by the communal authority or borough or to a retailer, so that they can be disposed of in an environmentally friendly manner. Bring the D FINE (together with the rechargeable battery) to your collection point and make sure that it is in an uncharged state!

\* labelled with: Cd = cadmium, Hg = mercury, Pb = lead

## FCC

This device complies with Part 15 of the FCC Rules. Operation is subject to the following two conditions: (1) this device may not cause harmful interference, and (2) this device must accept any interference received, including interference that may cause undesired operation.

Changes or modifications not expressly approved by the party responsible for compliance could void the user's authority to operate the equipment. This equipment has been tested and found to comply with the limits for a Class B digital device, pursuant to Part 15 of the FCC Rules. These limits are designed to provide reasonable protection against harmful interference in a residential installation. This equipment generates, uses and can radiate radio frequency energy and, if not installed and used in accordance with the instructions, may cause harmful interference to radio communications. However, there is no guarantee that interference will not occur in a particular installation.

If this equipment does cause harmful interference to radio or television reception, which can be determined by turning the equipment off and on, the user is encouraged to try to correct the interference by one or more of the following measures:

- Reorient or relocate the receiving antenna.
- Increase the separation between the equipment and receiver.
- Connect the equipment into an outlet on a circuit different from that to which the receiver is connected.
- Consult the dealer or an experienced radio/TV technician for help.

## FCC RADIATION EXPOSURE STATEMENT

This equipment complies with FCC radiation exposure limits set forth for an uncontrolled environment. This equipment should be installed and operated with minimum distance 20cm between the radiator and your body. This transmitter must not be co-located or operating in conjunction with any other antenna or transmitter.

## INHALT

### ALLGEMEINES

Welcome to the Dockin family!.....	22
Lautsprecheranordnung.....	23
Anschlüsse.....	23
Bedienelemente.....	24

### SICHERHEIT

Bedienungsanleitung lesen & aufbewahren .....	25
Symbol- und Begriffserklärung.....	25
Bestimmungsgemäße Verwendung.....	26
Sicherheitshinweise .....	27

### VERWENDUNG

Lieferumfang prüfen .....	31
D FINE Anschalten.....	31
Pairing .....	32
Quellgerät wechseln/Verbindung trennen.....	32
D FINE Ausschalten.....	33
AUX-Modus.....	33
D FINE aufladen.....	33
Stromsparfunktion.....	34
Powerbank-Funktion.....	34
Micro-USB-Service-Port.....	34
Pflege und Aufbewahrung .....	34
Fehlerbehebung .....	35
Technische Spezifikationen .....	35
Konformitätserklärung.....	36
Herstellerinformationen und Service .....	36
Entsorgung.....	37

## WELCOME TO THE DOCKIN FAMILY!

### About DOCKIN

Unsere fokussierten Ansprüche sind Ehrlichkeit und Authentizität. Beides fließt in unsere tägliche Arbeit ein und lässt sich daher auch eins zu eins auf DOCKIN als Marke und unsere Produkte übertragen.

Im klassischen Audio-Markt ist unsere Herausforderung als neue und junge Marke, Grenzen zu sprengen, neue Weichen zu stellen und die Horizonte des Sounds zu erweitern. Wir wollen unserer gesamten Community eine höhere Lebens- und Soundqualität bieten – sei es durch unsere Produkte, im Kundenservice oder als Mehrwert für Dich in unserer Kommunikation.

### UNSER ANSPRUCH

Wir stecken unser Herzblut in Audiokonzepte, mit denen du das Sounderlebnis in deinem flexiblen und mobilen Leben noch besser genießen kannst – immer und überall! Dabei stehen für uns erstklassige Verarbeitung und ein bestechender Sound stets im Fokus.

### PASSION FOR SOUND

Das ist für uns kein an den Haaren herbeigezogenes Marketing-Kauderwelsch. Unser Team besteht aus Menschen mit ausgeprägter Audio-Expertise und großer Leidenschaft für Klang und Ästhetik. Die Passion für Musik, Sound und die Technologie dahinter verbindet das Team und macht unsere Produkte einzigartig.

Unter [www.dockin.de/about](http://www.dockin.de/about) findest du noch mehr über uns! Zudem haben wir für Dich Playlists zusammengestellt, die du dir dort und auf Spotify anhören kannst. Schau doch mal vorbei!



Spotify:  
dockin\_de

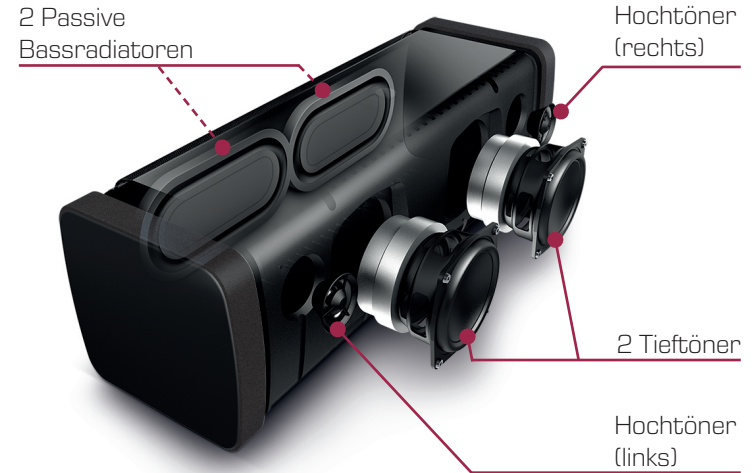


Instagram:  
dockin\_de

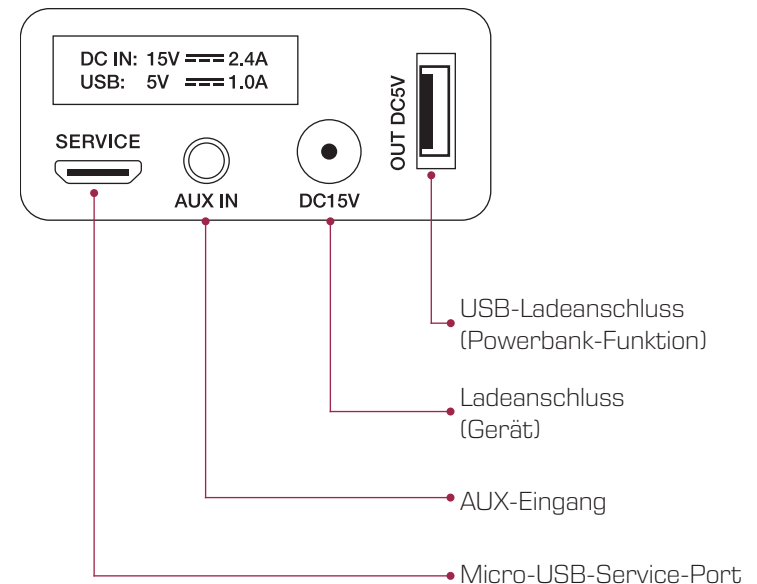


Facebook:  
DOCKIN

## LAUTSPRECHERANORDNUNG



## ANSCHLÜSSE



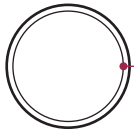
## BEDIENELEMENTE



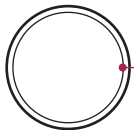
NFC-Logo



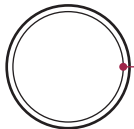
Bluetooth®-Status-LED



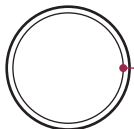
Drücken und halten:  
Gerät An-/Ausschalten



Drücken: Play/Pause  
Drücken und halten: Bluetooth® trennen



Drücken: Lautstärke erhöhen  
Drücken und halten: Nächster Titel



Drücken: Lautstärke verringern  
Drücken und halten: Vorheriger Titel



Akku-Status-LED

## BEDIENUNGSANLEITUNG LESEN & AUFBEWAHREN



Diese Bedienungsanleitung zu deinem D FINE Bluetooth® Lautsprecher (im Folgenden nur „D FINE“) enthält wichtige Informationen zu Sicherheit und Handhabung. Lies daher die Bedienungsanleitung sorgfältig durch, bevor du den

D FINE benutzt, und bewahre sie auch für die weitere Nutzung gut auf. Wenn du die in der Bedienungsanleitung enthaltenen Informationen und insbesondere die Sicherheitshinweise nicht beachtest, kann dies zu Sachschäden und schlimmstenfalls sogar zu Personenschäden führen. Wenn du deinen D FINE an jemanden weitergibst, achte darauf, auch diese Bedienungsanleitung mitzugeben.

Diese Bedienungsanleitung basiert auf den in der Europäischen Union gültigen Normen und Regeln. Beachte im Ausland auch landesspezifische Richtlinien und Gesetze.

Du kannst diese Bedienungsanleitung auf der Seite [www.dockin.de](http://www.dockin.de) unter **Support** auch als PDF herunterladen.

## SYMBOL- UND BEGRIFFSERKLÄRUNG

Hier findest du eine Übersicht der sicherheitsrelevanten Symbole und Begriffe, die in dieser Bedienungsanleitung, auf dem D FINE oder auf seiner Verpackung verwendet werden.



### WARNUNG

Diese Kombination aus Warnsymbol und -begriff bezeichnet eine Gefährdung mit einem mittleren Risikograd, die, wenn sie nicht vermieden wird, den Tod oder eine schwere Verletzung zur Folge haben kann.

### HINWEIS

Dieser Signalbegriff warnt vor möglichen Sachschäden.



Das GS-Symbol auf dem Netzteil steht für geprüfte Sicherheit. Produkte, die mit diesem Zeichen gekennzeichnet sind, entsprechen den Anforderungen des deutschen Produktsicherheitsgesetzes (ProdSG).



Dieses Symbol kennzeichnet das Steckernetzteil als Gerät der Schutzklasse II.



Konformitätserklärung (siehe Kapitel „Konformitätserklärung“): Mit diesem Symbol gekennzeichnete Produkte erfüllen alle anzuwendenden Gemeinschaftsvorschriften des Europäischen Wirtschaftsraums.



Dieses Symbol bescheinigt, dass die elektromagnetische Störausstrahlung des Geräts unter dem von der US-amerikanischen Federal Communications Commission genehmigten Grenzwert liegt.



Prüfsiegel ETL Listed: Mit diesem Symbol gekennzeichnete Produkte erfüllen die Anforderungen an die elektrische Produktsicherheit der Vereinigten Staaten von Amerika.



Das Steckernetzteil darf nur in Innenräumen verwendet werden.

## BESTIMMUNGSGEMÄSSE VERWENDUNG

Der D FINE ist als Lautsprecher für den privaten Gebrauch konzipiert. Er eignet sich nicht für die Verwendung im gewerblichen Bereich. Für die Verbindung mit dem gewünschten Quellgerät hast du unterschiedliche Möglichkeiten: Du kannst das Quellgerät via Bluetooth® 5.0, EDR, NFC oder mithilfe eines AUX-Kabels mit dem D FINE verbinden.

Zusätzlich verfügt der D FINE über eine Powerbank-Funktion, d. h. du kannst auch geeignete externe Geräte an den D FINE anschließen und diese mithilfe des integrierten Akkus vom D FINE aufladen.

Das im Lieferumfang enthaltene Stromkabel dient zum Aufladen des D FINE. Wenn du ein externes Gerät mithilfe der Powerbank-Funktion am D FINE aufladen möchtest, benötigst du abhängig vom jeweiligen externen Gerät ggf. ein zusätzliches Kabel, das nicht im

Lieferumfang enthalten ist.

Verwende den D FINE nur wie in dieser Bedienungsanleitung beschrieben. Jede andere Verwendung gilt als nicht bestimmungsgemäß und kann zu Sachschäden oder sogar zu Personenschäden führen. Der D FINE ist kein Kinderspielzeug.

Der Hersteller oder Händler übernimmt keine Haftung für Schäden, die durch nicht bestimmungsgemäßen oder falschen Gebrauch entstanden sind.

## SICHERHEITSHINWEISE



### WARNUNG Stromschlaggefahr!

Unsachgemäße Handhabung, fehlerhafte Elektroinstallation und zu hohe Netzspannung können zu einem Stromschlag führen.

- Achte darauf, dass die Netzspannung der Steckdose mit der Angabe auf dem Typenschild übereinstimmt, wenn du den D FINE zum Aufladen daran anschließt.
- Stelle sicher, dass die Steckdose, an die du den D FINE anschließt, gut zugänglich ist, damit du den D FINE bei einem Störfall schnell vom Stromnetz trennen kannst.
- Verwende zum Laden des D FINE ausschließlich das im Lieferumfang enthaltene Stromkabel.
- Verwende den D FINE nicht mehr, wenn er sichtbare Schäden aufweist oder das Stromkabel bzw. dessen Anschlussstecker defekt ist.
- Öffne keinesfalls das Gehäuse vom D FINE, sondern wende dich für Reparaturen an eine Fachwerkstatt. Bei eigenständig durchgeführten Reparaturen, unsachgemäßem Anschluss oder falscher Bedienung sind Haftungs- und Garantieansprüche ausgeschlossen.
- Bei Reparaturen dürfen nur Teile verwendet werden, die den ursprünglichen Gerätedaten entsprechen. Innerhalb des Geräts

befinden sich elektrische und mechanische Teile, die zum Schutz gegen Gefahrenquellen unerlässlich sind.

- Tauche den D FINE und das Stromkabel keinesfalls in Wasser oder andere Flüssigkeiten.
- Benutze den D FINE weder im Regen noch in Feuchträumen.
- Stell sicher, dass der D FINE und das Stromkabel nicht mit offenem Feuer und heißen Flächen in Kontakt kommt.
- Achte darauf, dass das Stromkabel nicht geknickt wird und lege es nicht über scharfe Kanten.
- Trenne den D FINE von der Stromversorgung, wenn er vollständig aufgeladen ist, bevor du den D FINE reinigst oder wenn eine Störung auftritt.
- Trenne angeschlossene externe Geräte sofort vom D FINE, wenn eine Störung auftritt.



### **WARNUNG** **Explosions- und Brandgefahr!**

Bei unsachgemäßem Umgang mit dem D FINE kann der integrierte Akku explodieren oder einen Brand verursachen.

- Setze den D FINE keiner übermäßigen Wärme oder Hitze, wie direktem Sonnenschein, Feuer oder Ähnlichem, aus.
- Verwende zum Laden des D FINE ausschließlich das im Lieferumfang enthaltene Stromkabel.



### **WARNUNG** **Verätzungsgefahr!**

Auslaufende Akkuflüssigkeit kann bei Berührung mit der Haut oder anderen Körperteilen Verätzungen verursachen.

- Wenn du bemerkst, dass Akkuflüssigkeit austritt, vermeide unbedingt dass Haut, Augen oder Schleimhäute damit in Kontakt kommen. Falls du versehentlich mit Akkuflüssigkeit in Berührung gekommen bist, spüle die betroffenen Stellen sofort mit reichlich klarem Wasser und suche umgehend einen Arzt auf.
- Verwende unbedingt Schutzhandschuhe im Falle eines auslau-

fenden Akkus und entferne ausgelaufene Akkuflüssigkeit mit einem trockenen, saugfähigen Tuch.



### **WARNUNG** **Gefahren für bestimmte Personengruppen!**

- Der D FINE kann von Kindern ab acht Jahren sowie von Personen mit verringerten physischen, sensorischen oder mentalen Fähigkeiten oder Mangel an Erfahrung und Wissen benutzt werden, wenn sie beaufsichtigt oder bezüglich des sicheren Gebrauchs des D FINE unterwiesen wurden und die daraus resultierenden Gefahren verstanden haben. Kinder dürfen nicht mit dem D FINE spielen. Reinigung und Benutzerwartung dürfen nicht von Kindern ohne Beaufsichtigung durchgeführt werden.
- Achte darauf, dass Kinder nicht mit dem Verpackungsmaterial oder dem D FINE spielen.
- Halte Kinder, die jünger als 8 Jahre alt sind, vom D FINE und dem Stromkabel fern.
- Bewahre den D FINE außerhalb der Reichweite von Kindern auf.
- Lass den D FINE nicht unbeaufsichtigt, während du ein externes Gerät daran auflädst.



### **WARNUNG** **Gesundheitsgefahr!**

Während des Betriebs erzeugt der D FINE Magnetfelder, durch die medizinische Geräte wie z. B. Herzschrittmacher in ihrer Funktion beeinträchtigt werden können. Außerdem kann es zu Störungen oder Unfällen führen, wenn du den D FINE an bestimmten Orten benutzt.

- Halte immer einen Mindestabstand von 10 cm zwischen dem medizinischen Gerät und dem D FINE ein. Wende dich bei Rückfragen dazu ggf. an deinen Arzt.
- Benutze den D FINE nicht in explosionsgefährdeter Umgebung.
- Achte darauf, den D FINE nur dort zu benutzen, wo drahtlose Funkübertragung gestattet ist.



## WARNUNG

### Gefahr von Gehörschäden!

Bei dauerhaftem Hören mit hoher Lautstärke besteht die Gefahr das Gehör zu schädigen.

- Vermeide es, über einen längeren Zeitraum mit hoher Lautstärke zu hören.
- Achte darauf, ausreichend Abstand zum D FINE einzuhalten und halte dein Ohr nie unmittelbar ein einen der Lautsprecher.
- Stell die Lautstärke am Quellgerät auf eine niedrige Position ein, bevor du die Wiedergabe am D FINE startest. Wenn du das Quellgerät auf volle Lautstärke eingestellt hast, entsteht ggf. ein sehr hoher Schalldruck, der nicht nur organische Schäden verursachen, sondern auch psychologische Auswirkungen haben kann. Kinder und Haustiere sind hierbei besonders gefährdet.

## HINWEIS

### Beschädigungsgefahr!

Durch unsachgemäße Handhabung kannst du den D FINE beschädigen.

- Stell den D FINE nicht auf oder in der Nähe von heißen Oberflächen ab (Herdplatten, Heizung etc.).
- Bring das Stromkabel nicht mit heißen Teilen in Berührung.
- Lade den D FINE etwa alle sechs Monate voll auf, auch wenn du den D FINE gar nicht oder nur unregelmäßig verwendest.

## LIEFERUMFANG PRÜFEN

Stelle sicher, dass der Lieferumfang vollständig und alle Teile unbeschädigt sind, bevor du den D FINE in Betrieb nimmst.

1. Nimm den D FINE und sämtliches Zubehör aus der Verpackung.
2. Kontrolliere anhand der folgenden Auflistung, ob der Lieferumfang vollständig ist.

Der Lieferumfang umfasst folgende Einzelteile:

- Lautsprecher D FINE
- Stromkabel mit Steckernetzteil
- AUX-Kabel (3,5 mm-Klinkenkabel)
- Bedienungsanleitung

3. Kontrolliere, ob der D FINE oder das Zubehör Schäden aufweisen.

Wenn dies der Fall ist, benutze den D FINE nicht, sondern wende dich über die Serviceadresse an den Hersteller.

## D FINE ANSCHALTEN

- Halte die Taste  auf der Oberseite deines D FINE 3 Sekunden lang gedrückt, um den D FINE anzuschalten.

Der D FINE verbindet sich automatisch mit der letzten Bluetooth®-Quelle (blaue LED leuchtet dauerhaft) oder wechselt in den Pairing-Modus, falls die letzte Quelle nicht verfügbar ist (blaue LED blinkt schnell).



## PAIRING

### Verbindung via Bluetooth®-Funktion herstellen:

1. Aktiviere die Bluetooth®-Funktion am Quellgerät (Bluetooth®-Einstellungen).
2. Suche in den Bluetooth®-Einstellungen nach verbindungs-bereiten Geräten.
3. Wähle „DOCKIN D FINE“ aus der Liste der Bluetooth®-Geräte aus.

Nach erfolgreichem Pairing leuchtet die blaue LED deines D FINE dauerhaft und ein Bestätigungston ertönt.

### Verbindung via NFC-Funktion herstellen:


Die Funktion ist nur verfügbar, wenn das Quellgerät NFC (*Near Field Communication*) unterstützt.

1. Aktiviere die Bluetooth®-Funktion am Quellgerät (Bluetooth®-Einstellungen).
2. Aktiviere die NFC-Funktion am Quellgerät.
3. Halte das Quellgerät an das NFC-Logo auf der Oberseite des D FINE. Beim ersten Verbinden via NFC muss die Verbindung am Quellgerät bestätigt werden.

Nach erfolgreichem NFC-Pairing leuchtet die blaue LED deines D FINE dauerhaft und ein Bestätigungston ertönt.

## QUELLGERÄT WECHSELN/VERBINDUNG TRENNEN

Um bei bereits bestehender Verbindung das Abspielgerät zu wechseln, muss die aktuelle Bluetooth®-Verbindung zuerst getrennt werden.

- Trenne die bestehende Bluetooth®-Verbindung am Quellgerät.  
**oder**
- Halte die Taste  an deinem D FINE etwa 3 Sekunden lang gedrückt.

## D FINE AUSSCHALTEN

- Halte die Taste  auf der Oberseite deines D FINE 3 Sekunden lang gedrückt, um den D FINE auszuschalten.

## AUX-MODUS

Du kannst deinen D FINE auch über das im Lieferumfang enthaltene AUX-Kabel (3,5 mm-Klinkenkabel) mit einem Quellgerät verbinden.

Der Stromsparmodus des D FINE wird bei angeschlossenem AUX-Kabel deaktiviert. Wenn das AUX-Kabel und das Netzteil angeschlossen sind, ermöglicht dies eine stationäre Nutzung, beispielsweise als PC-Lautsprecher oder als TV-Soundbar.

1. Schließe das Quellgerät mithilfe des im Lieferumfang enthaltenen 3,5 mm-Klinkenkabel an den AUX-Eingang deines D FINE an.
2. Starte die Wiedergabe am Quellgerät.

## D FINE AUFLADEN

- Lade deinen D FINE mithilfe des im Lieferumfang enthaltenen Stromkabels auf. Der Ladeanschluss befindet sich an der Seite hinter der Abdeckung.

Während des Ladens leuchtet die Akku-Status-LED grün. Ist das Gerät voll geladen, erlischt sie.

Wenn der Akku weniger als 15 Minuten Restlaufzeit hat, leuchtet die Akku-Status-LED rot.

## STROMSPARFUNKTION

Wenn für 15 Minuten weder ein Signal übermittelt, noch ein Gerät am USB-Ausgang geladen wird, schaltet sich dein D FINE automatisch ab. Bei angeschlossenem AUX-Kabel wird die Stromsparfunktion deaktiviert, was eine stationäre Nutzung erlaubt.

## POWERBANK-FUNKTION

Die Powerbank-Funktion ermöglicht es Dir, das Quellgerät am D FINE zu laden.

- Schließe hierfür das Quellgerät mithilfe eines USB-Kabels am USB-Ausgang des D FINE an.

## MICRO-USB-SERVICE-PORT

Der Micro-USB-Service-Port an der Seite deines D FINE dient ausschließlich zu Servicezwecken durch den technischen Support. Verbinde bitte kein Gerät mit diesem Anschluss.

## PFLEGE UND AUFBEWAHRUNG

### Reinigen und Pflegen:

- Reinige deinen D FINE mithilfe eines trockenen fusselfreien Tuchs. Achte darauf, dass keine Flüssigkeit in das Gerät gelangt!
- Verwende für die Reinigung keinesfalls Bürsten mit Metall- oder Nylonborsten und keine scharfen oder metallischen Reinigungsgegenstände, da diese die Oberflächen beschädigen.

### Aufbewahrung:

- Bewahre deinen D FINE an einem trockenen Ort mit Zimmertemperatur (etwa 5–20 °C) auf, an dem er vor direkter Sonneneinstrahlung geschützt ist.
- Achte darauf, dass dein D FINE für Kinder unzugänglich ist.
- Bewahre deinen D FINE stets in aufgeladenem Zustand auf.

- Lade deinen D FINE in regelmäßigen Abständen (etwa alle 2–3 Monate) auf, auch wenn du ihn nur unregelmäßig oder gar nicht benutzt. Wie bei allen Lithium-Ionen-Akkus ist dies notwendig, um die Akkuleistung dauerhaft zu erhalten.

## FEHLERBEHEBUNG

### Bluetooth®-Verbindung fehlgeschlagen:

- Stelle sicher, dass dein D FINE nicht bereits mit einem anderem Gerät verbunden ist (sonst trennen).
- Stelle sicher, dass sich das Quellgerät innerhalb weniger Meter zu deinem D FINE befindet.
- Stelle sicher, dass die Bluetooth®-Funktion am Quellgerät aktiviert ist.
- Deaktiviere die Bluetooth®-Funktion am Quellgerät und aktiviere sie anschließend wieder.
- Schalte den D FINE aus und anschließend wieder an.



## TECHNISCHE SPEZIFIKATIONEN

Artikel:	Bluetooth®-Lautsprecher D FINE
Artikelnummer:	15231
Akku:	Lithium-Ionen (6.600 mAh)
Musikwiedergabezeit:	bis zu 10 Stunden
Schutzart:	IP55 (Staub- und Spritzwasserschutz)
Nennleistung:	50 W
Leistungsaufnahme im Standby:	< 0,5 W
USB-Ausgang (Powerbank-Funktion):	USB-A; 5 V; 1 A
Abmessungen:	285 × 100 × 103 mm
Gewicht:	1 930 g

Verbindungsmöglichkeiten für  
externe Quellgeräte: Bluetooth® 5.0 + EDR, NFC, AUX

Am D FINE vorhandene  
Anschlüsse: DC 5 V, DC 15 V, 3,5 mm-Klinken-  
stecker (AUX), Micro-USB

#### Angaben zum Steckernetzteil:

Modell:	HNST150240WX
Nennleistung Eingang:	100–240 V~; 50/60 Hz; 1,0 A Max.
Nennleistung Ausgang:	15,0 V  ; 2,4 A
Schutzklasse:	II 

#### Angaben zur Bluetooth®-Funktion:

Frequenzbereich:	2,402–2,480 GHz
Sendeleistung:	< 9 dBm bei 3,3 V

## KONFORMITÄTSEKLÄRUNG

Hiermit erklärt die Stage10 GmbH, dass der in dieser Bedienungsanleitung beschriebene Funkanlagentyp D FINE der Richtlinie 2014/53/EU entspricht.

Der vollständige Text der EU-Konformitätserklärung ist unter der folgenden Internetadresse verfügbar:

<https://support.dockin.de/hc/de/articles/360003225600-EU-Konformitaet>

## HERSTELLERINFORMATIONEN UND SERVICE

Wenn du Rückfragen zum D Fine hast oder falls Probleme bei der Bedienung auftreten o. Ä., wende dich zunächst per E-Mail an folgende Stelle:

**info@dockin.de**

DOCKIN is a trademark of Stage10 GmbH | Torstr. 49 | 10119

Berlin  
36

## ENTSORGUNG

### Verpackung entsorgen



Entsorge die Verpackung sortenrein:

- Pappe und Karton zum Altpapier
- Folien in die Wertstoffsammlung

### Gerät entsorgen

(Anwendbar in der Europäischen Union und anderen europäischen Staaten mit Systemen zur getrennten Sammlung von Wertstoffen)



#### Altgeräte dürfen nicht in den Hausmüll!

Sollte dein D FINE einmal nicht mehr benutzt werden können, so ist jeder Verbraucher **gesetzlich verpflichtet, Altgeräte getrennt vom Hausmüll**, z. B. bei einer Sammelstelle seiner Gemeinde/seines Stadtteils, abzugeben. Damit wird gewährleistet, dass Altgeräte fachgerecht verwertet und negative Auswirkungen auf die Umwelt vermieden werden. Deswegen sind Elektrogeräte mit dem hier abgebildeten Symbol gekennzeichnet.



#### Batterien und Akkus dürfen nicht in den Hausmüll!

Als Verbraucher bist du gesetzlich verpflichtet, alle Batterien und Akkus, egal ob sie Schadstoffe\* enthalten oder nicht, bei einer Sammelstelle in deiner Gemeinde/ deinem Stadtteil oder im Handel abzugeben, damit sie einer umweltschonenden Entsorgung zugeführt werden können.

Gebe den D FINE vollständig (mit dem Akku) und nur in entladendem Zustand an deiner Sammelstelle ab!

\*gekennzeichnet mit: Cd = Cadmium,  
Hg = Quecksilber, Pb = Blei



## FEATURES

---

Fit for outdoor use

2-way stereo surround sound

Integrated DSP

2 subwoofers

2 tweeters

2 passive bass radiators

Integrated power bank

PC speaker

TV soundbar

Rechargeable battery life of 10 hours

---

FCC ID: 2AONQ-DFINEBT5

