



LifePod<sup>®</sup>  
H U M I D O R

Visit [www.vaulteksafe.com/lifepod-support](http://www.vaulteksafe.com/lifepod-support) for online tutorials, quick setup help, and FAQs.

FCC ID: 2AONI-VLH-8762C5616

Model Name: VLH10-CS,VLH10-CL,VLH10-CE,VLH10-BK,VLH10-BL,VLH10-BE,  
VLH10-GS,VLH10-GL,VLH10-GE,VLH10-DS,VLH10-DL,VLH10-DE,VLH10-XS,  
VLH10-XL,VLH10-XE,VLH10-RS,VLH10-RL,VLH10-RE,VLH10-TS,VLH10-TL,  
VLH10-TE,VLH10-SS,VLH10-SL,VLH10-SE,VLH10-HS,VLH10-HL,VLH10-HE,  
VLH10-SN1,VLH10-SN2,VLH10-SN3

## **Thank You For Your Recent Purchase**

At Vaultek® we stand behind our product and you our customer. On behalf of the entire team thank you for your purchase. We believe personal defense should be handled seriously and we're excited for you to experience the ultimate performance in smart-security.

**STAY SAFE. VAULTEK® SAFE.**

## Table of Contents

<b>Introduction / Overview</b> .....	<b>01 / 02</b>
<b>Warnings</b> .....	<b>03</b>

## Quick Start Guide

<b>1. Basic Operation</b> .....	<b>04</b>
<b>2. Install Humidor Battery</b> .....	<b>05</b>
<b>3. Install LifePod® Battery</b> .....	<b>06</b>
<b>4. Master Code Programming</b> .....	<b>07 / 08</b>
<b>5. Product Registration</b> .....	<b>09</b>

<b>Using the Micro-USB Port</b> .....	<b>10</b>
<b>Backup Key Access</b> .....	<b>10</b>
<b>Compression Latches</b> .....	<b>11</b>
<b>Key Lock</b> .....	<b>12</b>
<b>LED Indicators</b> .....	<b>13</b>
Status LED .....	13
Tamper Detection .....	13
Battery Indicator .....	13
Locked Status .....	13

<b>Using the Humidor</b> .....	<b>14 / 16</b>
Bluetooth App .....	14
To Get the App .....	14
Setting Environmental Thresholds .....	14
Power Switch .....	15
Audible Alarms .....	15
Maintaining Proper Humidity .....	16
Status LED .....	16
<b>Securing LifePod®</b> .....	<b>17</b>
<b>Customer Support / Warranty</b> .....	<b>18</b>

## Box Contents

LifePod®  
Lid Organizer  
Bluetooth Humidor Module w/ Cigar Tray  
(2) Backup Keys  
Steel Security Cable  
User Guide

Visit [www.vaulteksafe.com/lifepod-support](http://www.vaulteksafe.com/lifepod-support) for online tutorials, quick setup help, and FAQs.

## Introduction

The Vaultek® LifePod® Humidor is a pin access portable lockbox with a built-in Bluetooth module to monitor interior humidity and temperature. It can be secured using the side compression latches to protect the interior from environmental factors such as water, with the added option of securely locking the unit with the keypad. It's high impact polymer and portable design make it ideal to transport and protect cigars and other personal items. Powered by an Alkaline 9v battery (not included). The LifePod® Humidor combines portable security with smart technology.

### **Secure Access:** How to open your Vaultek® LifePod®.

**Keypad:** The 4 digit capacitive keypad responds quickly for access and has a built in proximity sensor that lights up the keypad when the lock pad is touched. See page 07 for more information.

**Key:** Two keys are provided for manual access to the safe in the event the battery dies.

### **Secure Defense:** How your Vaultek® LifePod® keeps people out.

**Anti-Impact Latch:** Built to withstand forceful impacts.

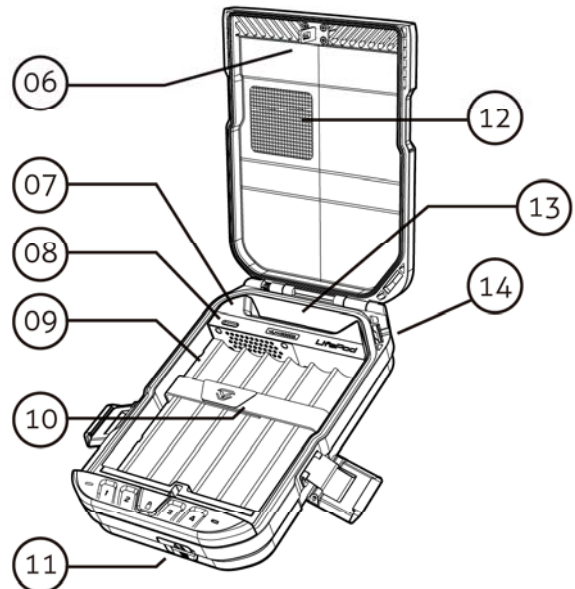
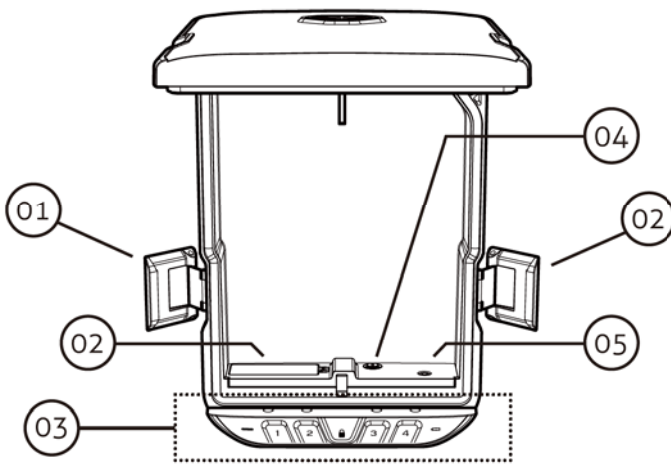
**High Impact Polymer:** Engineered to be extremely strong and impact resistant.

**Anti-Pry Design:** The interior channels and gasket form a seal around the inner chamber making it difficult for tools and other small objects to penetrate.

**Security Sleep Mode:** Activates when (6) consecutive incorrect keypad entries are entered. LifePod® will not accept any entries for four minutes. If a key is pressed during this time, all of the keys will flash RED and the alarm beeps. A backup key can be used to open the unit.

## Overview

Get to know your Vaultek® LifePod®.



01. Side Compression Latches  
02. Battery Cover  
03. Capacitive Keypad  
04. Key Lock  
05. Program Button

06. Anti-Impact Latch  
07. Bluetooth Module  
08. LED Status  
09. Cigar Tray  
10. Cigar Strap

11. Keyhole/Micro-USB Cover  
12. Humidity Packet Mesh Pocket  
13. Lighter Storage  
14. Steel Security Cable Attachment

## Warnings

To prevent damage to your LifePod® or injury to yourself or to others, read the following safety precautions before using this unit.

**IMPORTANT** Before locking your LifePod®, always be sure the side compression latches are latched closed first. This will ensure the locking mechanism engages properly.

**IMPORTANT** Do not undo the compression latches until the unit has been unlocked with the correct master code first. Undoing the compression latches first may cause binding on the lock mechanism and will not unlock.

**DO NOT** submerge in water more than 1 foot deep. The pressure could leak water into the inner chamber. LifePod® is designed to protect against dust and splashes with brief short immersions and will float when loaded with weight up to 2lb.

### To ensure proper weather sealing:

**ALWAYS** check that the rubber gasket is free of debris before closing the lid

**ALWAYS** check that the side compression latches are fully engaged and closed

**ALWAYS** check that the front rubber cover is closed tightly

**DO NOT** expose to extreme heat or cold. Battery power may be affected. Acceptable operation range is -14°f to 120°f.

**DO NOT** store loaded firearms in this unit.

**DISCLAIMERS:** Neither seller nor manufacturer shall be liable for any injury, loss or damage, direct or consequential, arising out of the use of, or the inability to use, the Vaultek® LifePod®.

The user shall determine the suitability of the Vaultek® LifePod® before the intended use and user assumes all risk and liability whatsoever in connection therewith.

The Bluetooth® word mark and logos are registered trademarks owned by the Bluetooth SIG, Inc. and any use of such marks by Vaultek Safe, Inc. is under license.

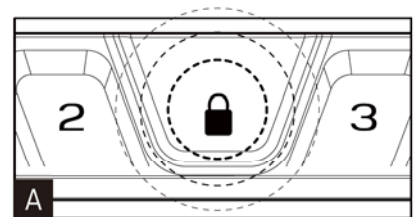


## Basic Operation

## Quick Start Guide Step 1

LifePod® can protect belongings from environmental factors using the side compression latches alone without the need for a battery.

With the battery installed LifePod® can lock securely using a built in locking mechanism for additional security. Unique to LifePod® is a capacitive keypad. There are no physical buttons, but each key can be pressed by touching the keypad surface.



### Locking

**IMPORTANT** Before locking your LifePod®, always be sure the side compression latches are latched closed first. This will ensure the locking mechanism engages properly.

**1** To lock, simply press and hold the lock pad for 2 seconds (Fig. A).

### Unlocking

**IMPORTANT** Do not undo the compression latches until the unit has been unlocked with the correct master code first. Undoing the compression latches first may cause binding on the lock mechanism and will not unlock.

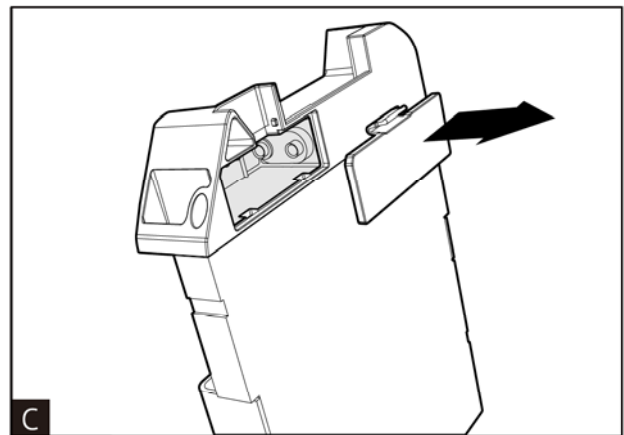
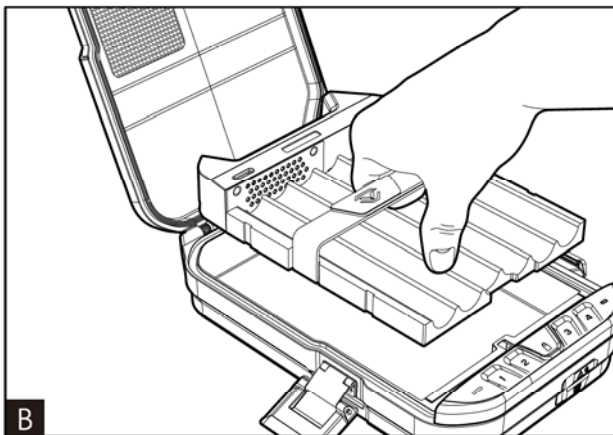
- 1** First tap the lock pad to wake the unit up (Fig. A). When the keypad lights up, your LifePod® is awake and ready to accept the code.
- 2** Enter the master code. When the code is correct, The status LED will turn GREEN and the lock will disengage. (Set master code on page 07)
- 3** Undo both side compression latches, and you can open the unit.

## Install Humidor Battery

## Quick Start Guide Step 2

LifePod® Humidor is powered by **(2)** 9v Alkaline batteries (not included). One powers the Bluetooth Humidor, and the second powers the LifePod's built-in locking system.

- 1** Undo both side compression latches to open your LifePod®. Using the strap, gently lift the interior module out. (Fig. B).
- 2** Locate the battery cover on the reverse side (Fig. C), and remove by pressing on the outer tab.
- 3** Pull out the 9v battery snap and connect an Alkaline 9v battery.
- 4** Slide the battery into the compartment and replace the cover.

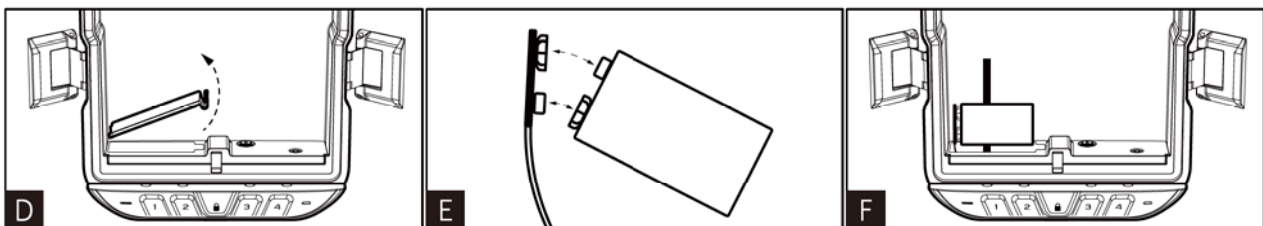


## Install LifePod® Battery

## Quick Start Guide Step 3

- 5 Next, locate the battery cover on the front wall of the LifePod and remove it by pressing on the outer tab (Fig. D).
- 6 Carefully pull out the 9v battery snap inside the battery compartment, and connect an Alkaline 9V battery to the connector. Be sure to snap the battery in the correct orientation (Fig. E).
- 7 When the battery is snapped in you will hear a short welcome tone and the keypad will light up.
- 8 Once you hear the tone and see the keypad light up, slide the battery into its compartment being mindful to place the battery ribbon underneath the battery first (Fig. F). This will make the battery easier to remove when replacing.
- 9 Replace the battery cover, replace the Humidor module back inside, and you are ready to program your LifePod®.

**Tip!** Download the Vaultek LifePod® Humidor smartphone app from your app store.



## Master Code Programming

## Quick Start Guide Step 4

First time users should change the default code as soon as possible to prevent unauthorized access when using the lock.

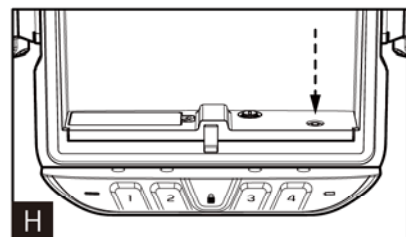
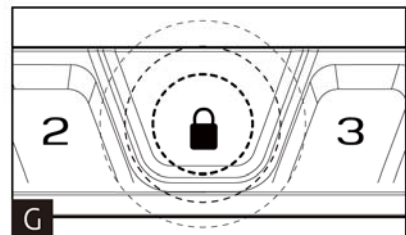
### TIP: Code Requirements

- Your code can be a minimum of 4 digits, or as long as 8 digits.
- Two keys can not be pressed simultaneously.
- Programming a new code will overwrite your previous code.

**You need to move quickly during the program sequence to prevent LifePod® from timing out for security reasons.**

- 1** Open the unit and tap the lock pad to wake the unit up (Fig. G). When the keypad lights up, your LifePod® is awake and ready for programming.
- 2 IMMEDIATELY** Press and hold the PROGRAM button for 3 seconds (Fig. H) until ALL keys (1-4) turn solid RED.
- 3 IMMEDIATELY** Enter your new code.

Continue on next page.

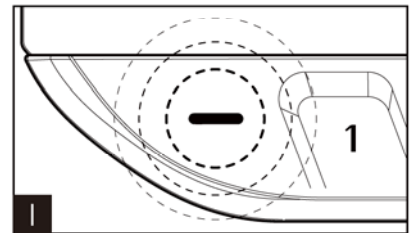
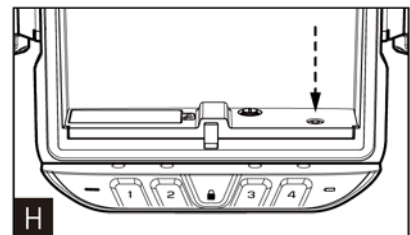


## Master Code Programming (Continued)

## Quick Start Guide Step 4

- 4 IMMEDIATELY** Press and hold the PROGRAM button a second time for 3 seconds (Fig. H) until ALL keys (1-4) turn solid RED.
- 5 IMMEDIATELY** Enter your new code a second time.
- 6 IMMEDIATELY** Press and hold the PROGRAM button a third time for 3 seconds (Fig. H). The status LED (Fig. I) will flash GREEN and LifePod® will beep to confirm the code change is successful.

If you make a mistake start over with step 1. Be sure to move quickly during the program sequence to prevent LifePod® from timing out for security reasons.



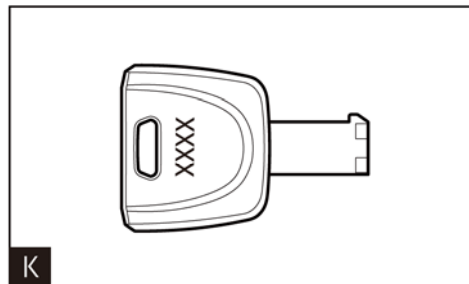
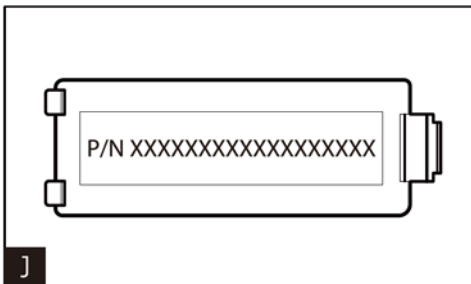
**TUTORIALS ONLINE AT [VAULTEKSAFE.COM/LIFEPOD-SUPPORT](http://VAULTEKSAFE.COM/LIFEPOD-SUPPORT)**

## Product Registration

## Quick Start Guide Step 5

Vaultek® strongly encourages you to register your safe as soon as you receive it. **Registration provides many benefits including technical support, and ordering replacement keys should you misplace them.** Your Vaultek® LifePod® has a unique product number on the inside of the battery door and a 4-digit ID number engraved on the keys. You will need these numbers to register your new unit.

- 1 Locate your product number. It is printed on the first page of this user manual and on the back of the battery door (Fig. J).
- 2 Find your 4-digit ID number engraved on the keys (Fig. K).
- 3 Please visit the Vaultek® website at [vaulteksafe.com](http://vaulteksafe.com) and click Support then click Registration from the available options.
- 4 Enter the required information in the form and click submit.

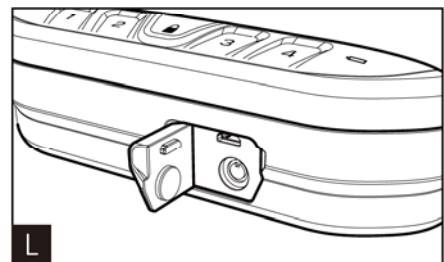


## Using the Micro-USB Port

A micro-USB port is built into LifePod® behind the front protective rubber cover (Fig. L).

In the event the battery dies while traveling, and you do not have access to the backup keys, you can power on the unit using the backup micro-USB port.

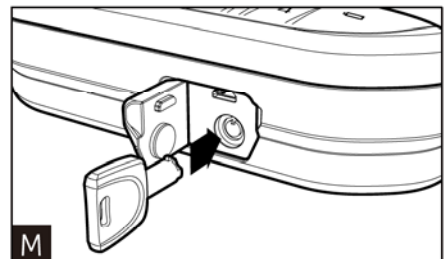
Simply open the rubber cover and plug in a micro-USB cable (not included) into the port. While the cable is plugged into an external power source, LifePod® will function normally allowing you to enter the code and open the unit.



## Backup Key Access

The keyhole is located beneath the front protective rubber cover (Fig. M).

Two backup keys are provided. In the event these are needed to open the LifePod®, simply open the protective cover, insert one of the backup keys, and turn the key clockwise 90 degrees (Fig. M).

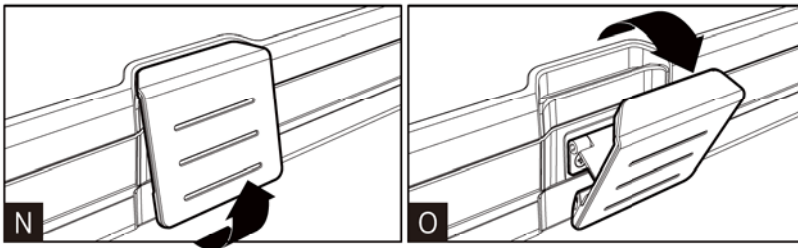


**IMPORTANT!** Always make sure the front protective cover is closed tightly to ensure the unit is sealed correctly for protection from the elements.

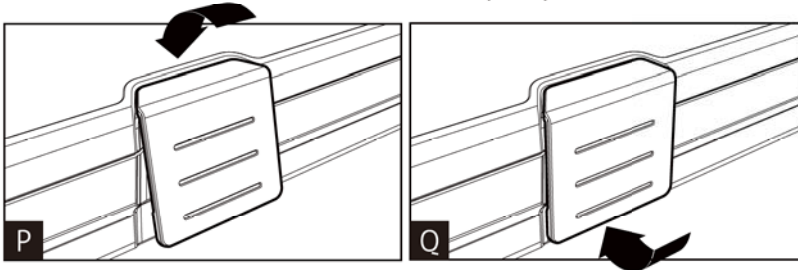
## Compression Latches

LifePod's side compression latches can protect belongings from environmental factors using the side latches alone without the need for a battery.

**To Open** simply lift from the bottom of each latch away from the unit (Fig. N). The latches will lift and disengage, then swing the latches free of the unit (Fig. O). The top lid can now be opened.



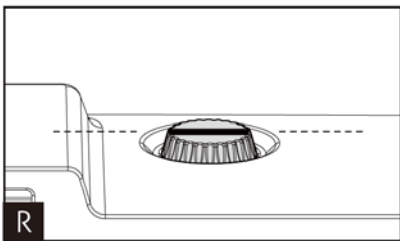
**To Close** rest the top of each latch against the top housing (Fig. P). The latches will catch and rest in place on their own. Press the bottom of each latch firmly towards the unit to engage (Fig. Q). You will hear and feel the latches snap in position.



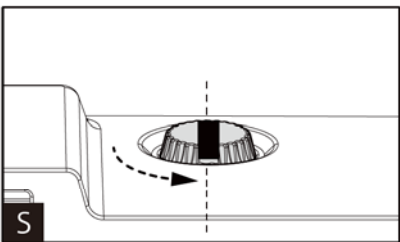


## Key Lock

Your LifePod® is equipped with an anti-hacking feature for enhanced security. Using the key lock, you can disable the exterior lock from functioning.



**OFF** (Fig. R) Default setting. The exterior lock is engaged and fully functional.



**ON** (Fig. S) The exterior lock is disengaged. Meaning LifePod's lock can not be picked open by any hacking and renders the lock useless.

**IMPORTANT** When key lock is ON, the backup keys will not be able to open the unit. Use with caution. In the event of battery failure, the micro-USB port can still be used to provide power and open the unit.

## LED Indicators

LifePod's capacitive keypad has multiple LEDs built in to provide various feedback. The LEDs will illuminate as needed when the unit is awake. To wake the unit, tap the lock pad to illuminate the keypad.

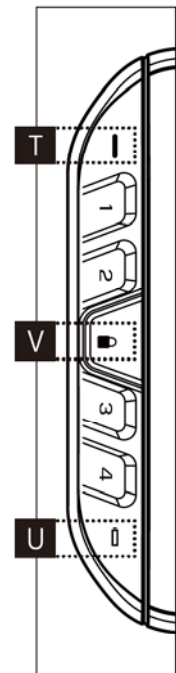
**Status LED** (Fig. T) The status LED will provide feedback on various commands. It will light GREEN when correct codes are entered and RED when an incorrect code is entered.

**Tamper Indicator** (Fig. T) If the status LED is solid RED when awake, this means the unit has detected that an incorrect code has been entered. You can clear the tamper indicator by entering the correct master code.

**Battery Indicator** (Fig. U) When the unit is awake, the battery indicator will light either GREEN or RED. Green indicates the battery has sufficient power, and Red indicates the battery is in need of replacement.

**Lock Pad** (Fig. V) The lock pad illuminates RED only when the unit has been locked using the keypad, and requires the use of the master code to unlock it. When locked, and the unit is awake, the lock icon will be solid RED.

**TIP!** If the lock icon is solid RED, do not undo the side compression latches to open the unit. This means the internal lock is engaged and should not be opened. Enter the master code to unlock the unit, as indicated by the lock icon light going OFF. It is now safe to undo the side latches and open the unit.



## Using Humidor

### **Bluetooth App**

The LifePod® Humidor has a Bluetooth enabled interior module that monitors the internal humidity and temperature. Using the Bluetooth companion app from your smartphone, you can view live environment data when in range of the LifePod® (approximately 20-25 feet) and you can manage certain preferences.

### **To Get the App**

Available for Android and iOS devices, search for "Vaultek LifePod Humidor" in your app store.

### **Setting Environmental Thresholds**

Using the app, you can set environmental thresholds for your ideal interior conditions, and if the humidity or temperature values are higher or lower than desired, the app can provide feedback from the main dashboard.

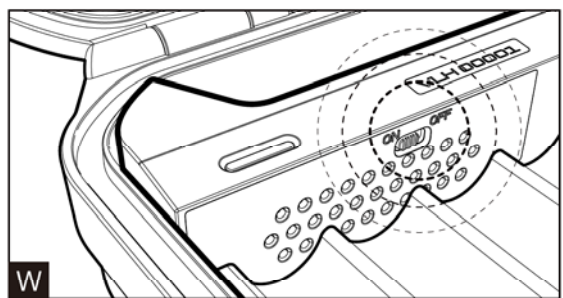
**Tip!** The app will not send alerts to your phone, but allows you to make convenient maintenance checks when in range. The app dashboard will provide graphical indication of the values and highlight any values out of range.

## Using Humidor

### **Power Switch**

When not traveling, or when monitoring is not necessary, you can switch the Bluetooth module off to save power (see Fig. W).

This disables Bluetooth and the app functions only. This does not affect LifePod's standard functions such as locking and unlocking.



### **Audible Alarm**

The interior module has an audible alarm that can be enabled. If any set thresholds from the app are out of range, LifePod® will sound an audible alarm to alert you.

The audible alarm will sound for any of the following reasons and can be adjusted in your settings menu in the app.

Humidity High / Humidity Low

Temperature High / Temperature Low

Low Bluetooth Module Battery (This is not the same battery that's powering the LifePod®)

**Tip!** If the alarm sounds, disable it from the settings menu in the app. Make any adjustments such as replacing a humidity packet or replacing the battery if needed and enable the alarm again.

## Using Humidor

### Maintaining Proper Humidity

LifePod® Humidor is designed to help you manage and monitor humidity levels. The included lid organizer features a mesh pocket designed to store humidity control packs. We recommend a brand name pack, such as Boveda 8 gram control packs ([bovedainc.com](http://bovedainc.com)). Using a control pack with your preferred RH% in conjunction with the Bluetooth app can help you maintain optimum conditions.

**Tip!** Use Boveda 8 gram packets and adjust the app thresholds to suit your ideal conditions. If LifePod alerts you that humidity is high/low it may be time to replace the humidity control pack inside.

### LED Status

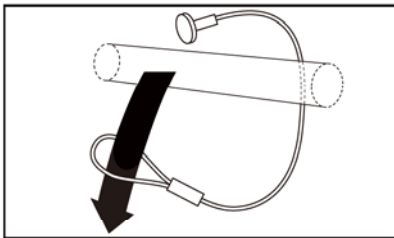
The interior module has a status LED on the left hand side. If an audible alert is heard from the unit, the status LED can provide a quick gauge for the alert reason.

Flashing YELLOW with rapid beeps: Humidity or Temperature is Low/High

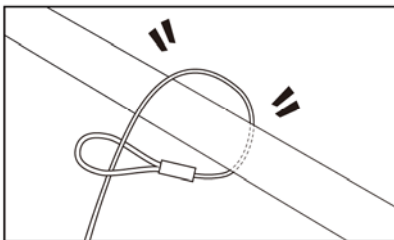
Flashing RED with rapid beeps: Low Battery

## Securing LifePod®

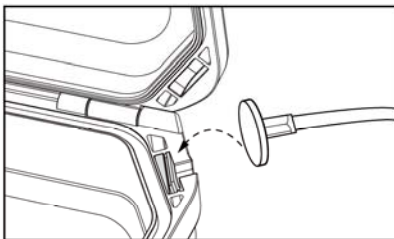
The included steel security cable can be used to secure the LifePod® to a fixed object.



- 1** First wrap the looped end of the steel cable around an object of your choice, such as a seat bracket under your vehicle's seat.



- 2** Pull the adapter piece through the loop, and cinch tight.



- 3** Place the adapter piece in its slot in the LifePod®, and close the lid.

## Customer Support / Warranty

If you have a problem with your Vaultek® LifePod® that is not answered in the FAQ section of this manual, we encourage you to visit [www.vaulteksafe.com/lifepod-support/](http://www.vaulteksafe.com/lifepod-support/).

### Limited Warranty (Terms and Conditions)

VAULTEK® IS COMMITTED TO PROVIDING PRODUCTS OF HIGH QUALITY AND VALUE AND MAKES EVERY EFFORT TO ENSURE ITS PRODUCTS ARE FREE OF DEFECTS.

Vaultek® guarantees your LifePod® will be free of defects in materials or workmanship for a period of one year from the date of original purchase from an authorized dealer.

The warranty is only valid for the original purchaser and not transferable. This warranty is only valid for products purchased and operated in the U.S. This warranty does not cover abuse, misuse, use in any manner for which is not designed, neglected, modification, damage inadvertently caused by the user, accidents and/or tampering.

If service is needed Vaultek® will, at its option, exchange or repair without charge for parts or labor. Upon authorization of warranty service, customers are responsible for securely packaging product. Additionally, customers are responsible for costs of shipping to and from Vaultek® service center.

If the claimed defect cannot be identified or reproduced, customers will be held responsible for the costs incurred. Please have the following information available before you begin a claim with Vaultek®:

- Purchaser's name, mailing address, email address, and a phone number.
- Copy of receipt or online order number (if purchased directly from us or Amazon)
- Authorized Dealer Name (if applicable)
- Detailed description of the problem

NEITHER SELLER NOR MANUFACTURER SHALL BE LIABLE FOR ANY INJURY, LOSS OR DAMAGE, DIRECT OR CONSEQUENTIAL, ARISING OUT OF THE USE OF, OR THE INABILITY TO USE THE VAULTEK® LIFEPOD®.

## FCC

The device has been evaluated to meet general RF exposure requirement, The device can be used in portable exposure condition without restriction. Federal Communication Commission (FCC) Radiation Exposure Statement. Power is so low that no RF exposure calculation is needed.

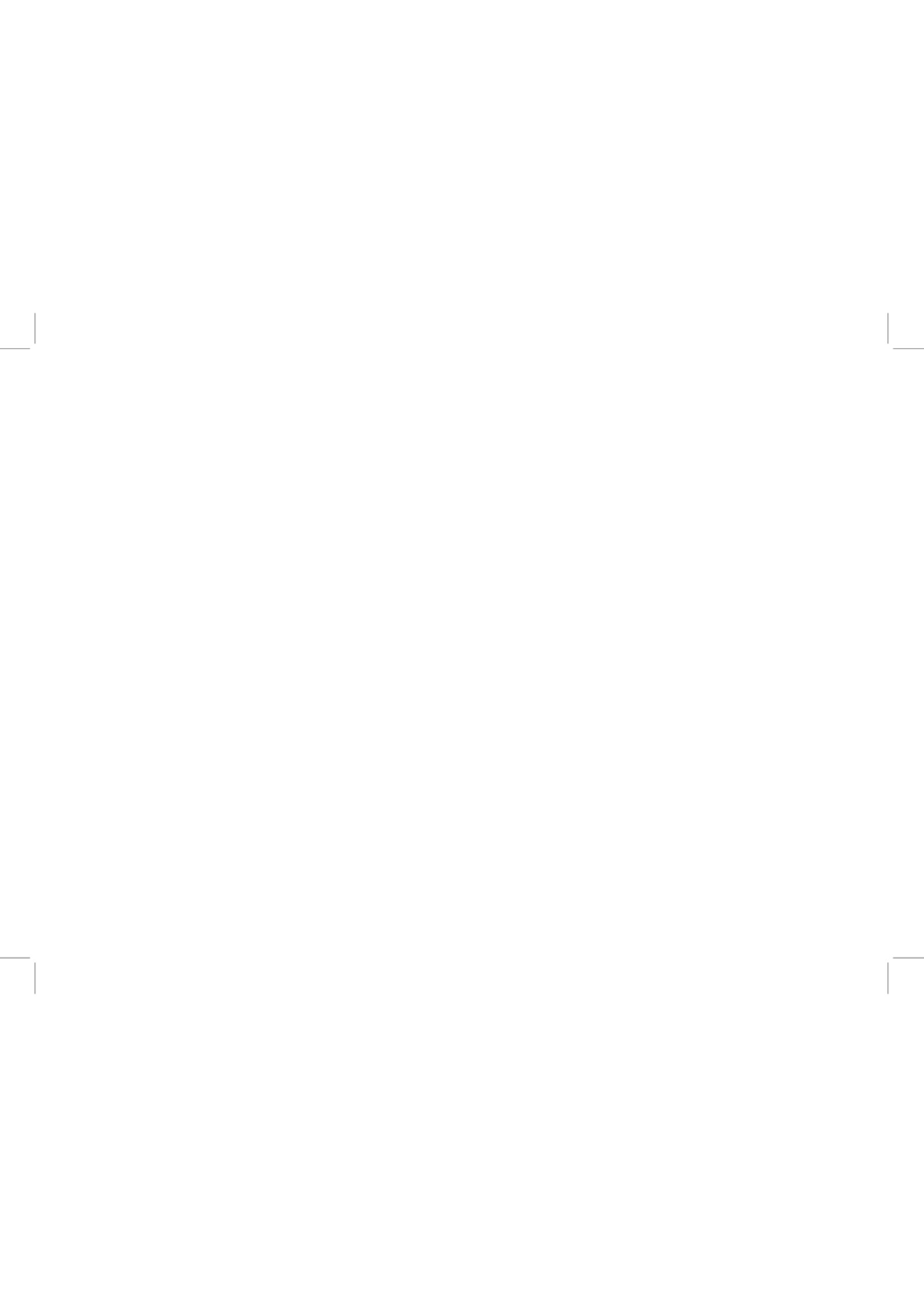
This device complies with part 15 of the FCC rules. Operation is subject to the following two conditions: (1) this device may not cause harmful interference, and (2) this device must accept any interference received, including interference that may cause undesired operation.

NOTE: The manufacturer is not responsible for any radio or TV interference caused by unauthorized modifications or changes to this equipment. Such modifications or changes could void the user's authority to operate the equipment.

NOTE: This equipment has been tested and found to comply with the limits for a Class B digital device, pursuant to part 15 of the FCC Rules. These limits are designed to provide reasonable protection against harmful interference in a residential installation. This equipment generates uses and can radiate radio frequency energy and, if not installed and used in accordance with the instructions, may cause harmful interference to radio communications. However, there is no guarantee that interference will not occur in a particular installation. If this equipment does cause harmful interference to radio or television reception, which can be determined by turning the equipment off and on, the user is encouraged to try to correct the interference by one or more of the following measures:

- Reorient or relocate the receiving antenna.
- Increase the separation between the equipment and receiver.
- Connect the equipment into an outlet on a circuit different from that to which the receiver is connected.
- Consult the dealer or an experienced radio/TV technician for help.







**VAULTEK®**

37 North Orange Ave. Suite 800B Orlando, FL 32801

VAULTEKSAFE.COM

REV 052720