



SMART KEY **PLUS**

INSTRUCTION MANUAL

VSK+

TABLE OF CONTENTS

Product Overview	02
Step 1: Set Your Pass Code(s)	04
Step 2: Pair Remote to Your Safe	06
Step 3: Assign an Entry Mode	07
Unpairing	09
Operation Range	10
Battery Replacement	11
Troubleshooting	12

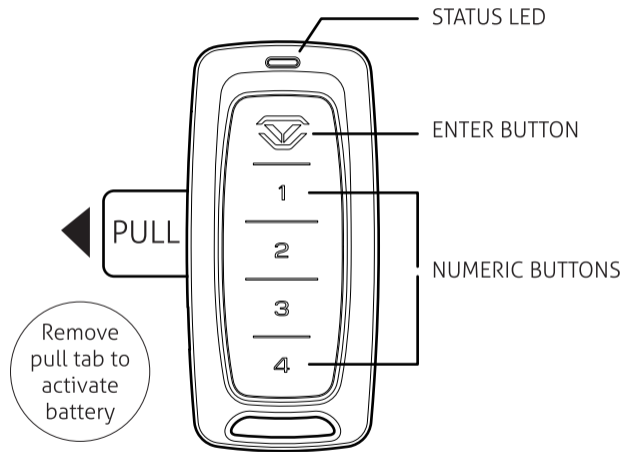
PRODUCT OVERVIEW

Your Vaultek™ Pro Series safe supports quick, password protected access with Smart Key PLUS. You can securely access multiple Pro Series safes from one remote by simply assigning individual pass codes to each safe.

IMPORTANT

Be sure to follow ALL steps for proper function:

- 1 Set your pass code(s).
- 2 Pair remote to your safe.
- 3 Assign an entry mode.



STEP 1: SET YOUR PASS CODE(S)

Smart Key PLUS can be programmed with up to (4) individual pass codes between 4 and 8 digits long.

TO PROGRAM PASS CODE:

- 1 Press and hold corresponding numeric key and then the ENTER key together until the LED turns white. **(FIGURE A)**
- 2 Enter your pass code, followed by the ENTER key. The LED light will turn green confirming your entry.
- 3 Enter pass code a second time, followed by the ENTER key. The LED light will flash green completing program.

Tip! If the LED turns red at any time, start the sequence over.

04 Vaultek™

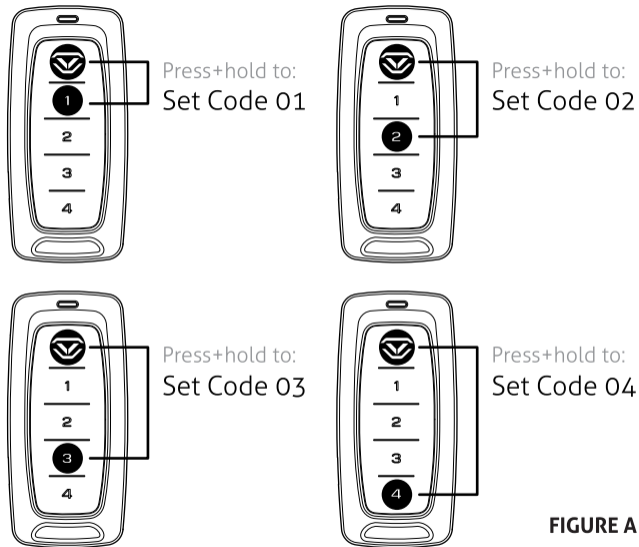


FIGURE A

STEP 2: PAIR REMOTE TO YOUR SAFE

After setting individual pass codes, you can now pair the remote to open your safe.

TO PAIR WITH YOUR SAFE:

- 1 Open your safe. Press and hold the '5' key then PROGRAM button together until the status bar LED blinks green on the safe.
- 2 Aim remote at safe, and enter your pass code on the remote followed by the ENTER key. The status bar LED on the safe will turn solid green indicating pairing is successful.

Tip! If red LEDs appear at any time, start the sequence over.

06 Vaultek™

STEP 3: ASSIGN AN ENTRY MODE

Now that the remote is paired, assign an entry mode using either the keypad or Bluetooth app. To toggle modes using the keypad open your safe, and press and hold the '6' key and PROGRAM button together until the safe's LED status bar indicates the mode as below.

PROGRESSIVE ENTRY MODE Status LEDs blink green.

Requires the safe to be awoken before opening with remote. Simply touch the front of the safe or press any key on the safe to awaken safe as indicated when the keypad illuminates red.

ON DEMAND ENTRY MODE Status LEDs solid green.

Immediate access using remote without having to awaken safe.

WARNING: Draws significant power, recommend plugging in safe to continuous power supply using safe's charging kit.

STEP 3: ASSIGN AN ENTRY MODE (CONTINUED)

OFF Status LEDs solid red.

Disables the remote from opening safe temporarily until one of the other entry modes are assigned.

Tip!

After pairing Smart Key PLUS will open your safe for only a short time. Be sure and assign an entry mode.

If you do not assign an entry mode immediately after pairing the remote will disable when the safe goes to sleep. This occurs when the safe has been idle for 20 seconds.

UNPAIRING YOUR REMOTE

You can unpair your Smart Key PLUS at any time in the event it is lost or stolen using a couple different methods.

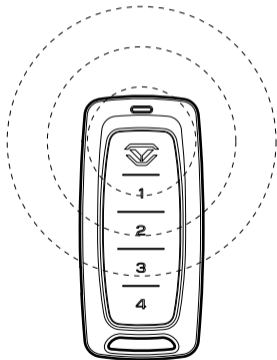
NOTE: Assigning the entry mode to OFF will not delete a paired remote.

- A** Press and hold the '5' key then PROGRAM button together until all status bar LEDs blink green. This is the same sequence used to pair, but after the safe's status bar LEDs blink green for 6 seconds, the LEDs will blink red twice deleting a paired Smart Key from memory.
- B** Pairing a new Smart Key PLUS over the old one will erase the old remote from the safe's memory.

OPERATION RANGE

Smart Key PLUS features an approximate working range between 5 and 10 feet that the remote can be used to open the safe.

Approximate working range is within 5-10 feet of safe.



10 Vaultek™

BATTERY REPLACEMENT

The pre-installed battery will last approximately two years. When replacement is required, follow these steps:

- 1** Carefully separate remote body using your hand or a small coin from the bottom of the remote at the designated coin slot. **(FIGURE B)**
- 2** Remove old battery and install a new model **CR2032** battery.
- 3** Assemble remote back together, re-pairing is not required.



FIGURE B

TROUBLESHOOTING TIPS

- 1** After pairing, Smart Key PLUS will open your safe, but be sure and assign an entry mode. If entry mode is not set immediately after pairing, remote will be disabled when the safe goes to sleep. This occurs when the safe has been idle for 20 seconds.
- 2** Make sure battery is sufficiently charged or plugged in. As a built in failsafe to prevent Smart Key PLUS from using remaining power, the remote will not open your safe if the safe battery is less than 5%.
- 3** To set new codes, refer to page 04 and follow the steps. A new code set will erase the old code and remote will need to be paired again.



VAULTEK®

37 N Orange Ave | Orlando, FL 32801 | USA

VAULTEKSAFE.COM

REV 091117

The device has been evaluated to meet general RF exposure requirement, The device can be used in portable exposure condition without restriction

FCC statements:

This device complies with part 15 of the FCC rules. Operation is subject to the following two conditions: (1) this device may not cause harmful interference, and (2) this device must accept any interference received, including interference that may cause undesired operation.

NOTE: The manufacturer is not responsible for any radio or TV interference caused by unauthorized modifications or changes to this equipment. Such modifications or changes could void the user's authority to operate the equipment.

NOTE: This equipment has been tested and found to comply with the limits for a Class B digital device, pursuant to part 15 of the FCC Rules. These limits are designed to provide reasonable protection against harmful interference in a residential installation. This equipment generates uses and can radiate radio frequency energy and, if not installed and used in accordance with the instructions, may cause harmful interference to radio communications. However, there is no guarantee that interference will not occur in a particular installation. If this equipment does cause harmful interference to radio or television reception, which can be determined by turning the equipment off and on, the user is encouraged to try to correct the interference by one or more of the following measures:

- Reorient or relocate the receiving antenna.
- Increase the separation between the equipment and receiver.
- Connect the equipment into an outlet on a circuit different from that to which the receiver is connected.
- Consult the dealer or an experienced radio/TV technician for help.

The max. power for VSK+ is 1dBm.