



RS200i WiFi®

INSTRUCTION MANUAL

## **Thank You For Your Recent Purchase**

At Vaultek® we stand behind our product and you our customer. On behalf of the entire team thank you for your purchase. We believe personal defense should be handled seriously and we're excited for you to experience the ultimate performance in smart-security.

**STAY SAFE. VAULTEK® SAFE.**

## Table of Contents

<b>Product Overview</b> .....	<b>01 / 02</b>
<b>Introduction / Warnings</b> .....	<b>03 / 04</b>
<b>Battery Operation / Battery Maintenance</b> .....	<b>05 / 07</b>
Battery Installation .....	05
Charging the Battery .....	06
<b>Master Code Programming</b> .....	<b>08</b>
<b>Smart Align Biometric Scanner</b> .....	<b>09 / 12</b>
Helpful Programming TIPS .....	09
Programming 1st and 2nd Fingerprints .....	10
Programming Additional Fingerprints 3-20 .....	11
Deleting Fingerprints .....	12
<b>Wi-Fi® Setup</b> .....	<b>12</b>
<b>Smart Key Operation / Smart Key Warnings</b> .....	<b>13 / 16</b>
Smart Key Pairing .....	13
Toggle Smart Key Entry Modes .....	14
To Unpair Smart Key .....	14
Multiple Safe Management .....	15
<b>Hot Keys</b> .....	<b>16 / 18</b>
Tamper Detection .....	16
Toggle Stealth Mode .....	16
Toggle Travel Mode .....	16
Toggle Open Door Alarm .....	17
View Battery Status .....	17

Delete Fingerprints .....	17
Toggle Interior Light .....	17
Toggle LCD Brightness .....	17
View Temperature/Humidity .....	17
Toggle Fahrenheit/Celsius .....	18
Toggle Smart Key Modes .....	18
Toggle DMT Sensitivity .....	18
Toggle Dual Entry Mode .....	18
Toggle Manual Unlock Alert .....	18
Factory Reset .....	18
<b>Securing Your Safe</b> .....	<b>19</b>
<b>Modular Interior</b> .....	<b>19</b>
Additional Accessories .....	19
<b>Product Registration</b> .....	<b>20</b>
<b>FAQ</b> .....	<b>21 / 22</b>
<b>Troubleshooting</b> .....	<b>23</b>
<b>Customer Support / Warranty</b> .....	<b>24</b>

## Box Contents

Vaultek® RS200i Wi-Fi® Safe  
 Smart Key Nano and Battery  
 18650 Rechargeable Lithium-ion Battery

AC Power Adapter and Charging Cable  
 Barrel Mounts (2) + Extensions (2)  
 Pistol/AR Magazine Holster

Hardware Mounting Kit  
 Owner's Manual/Quick Start Guide  
 Backup Keys (2)

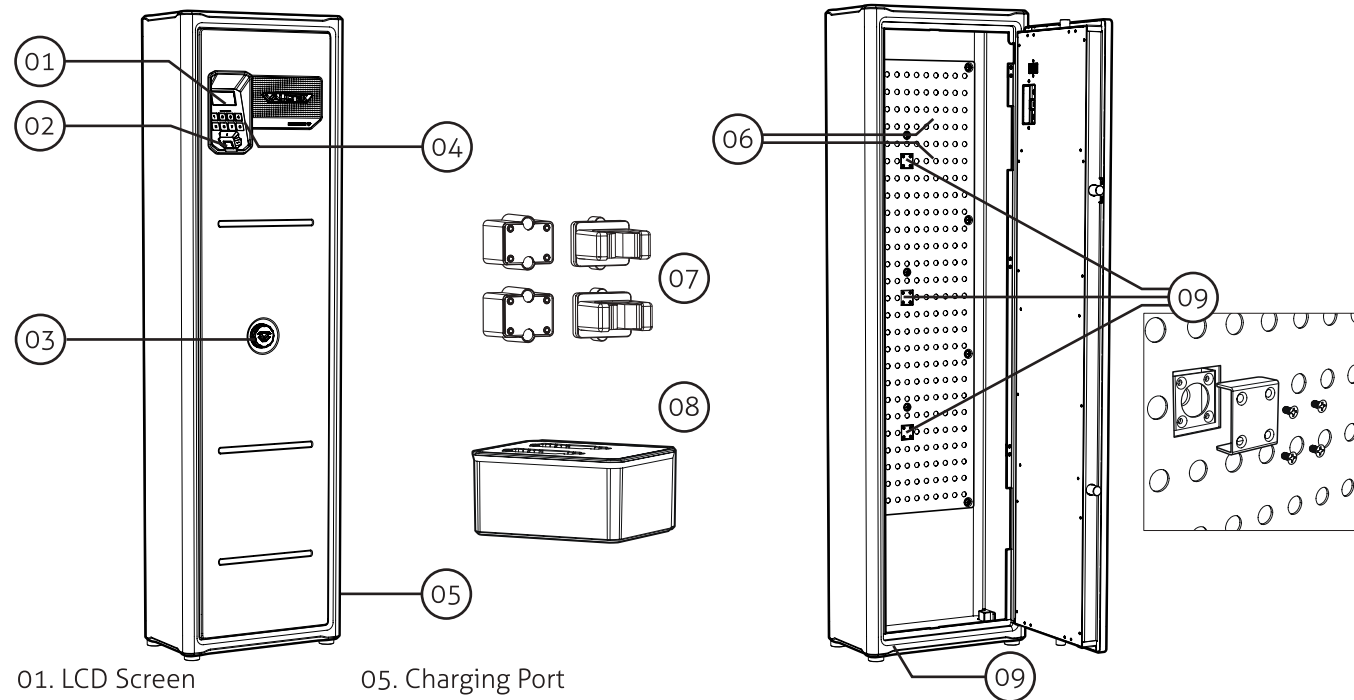
# GET STARTED

[VAULTEKSAFE.COM/  
RSWIFISERIES-SUPPORT](http://VAULTEKSAFE.COM/RSWIFISERIES-SUPPORT)

**ONLINE TUTORIALS**  
 Setup and Wi-Fi® guide.

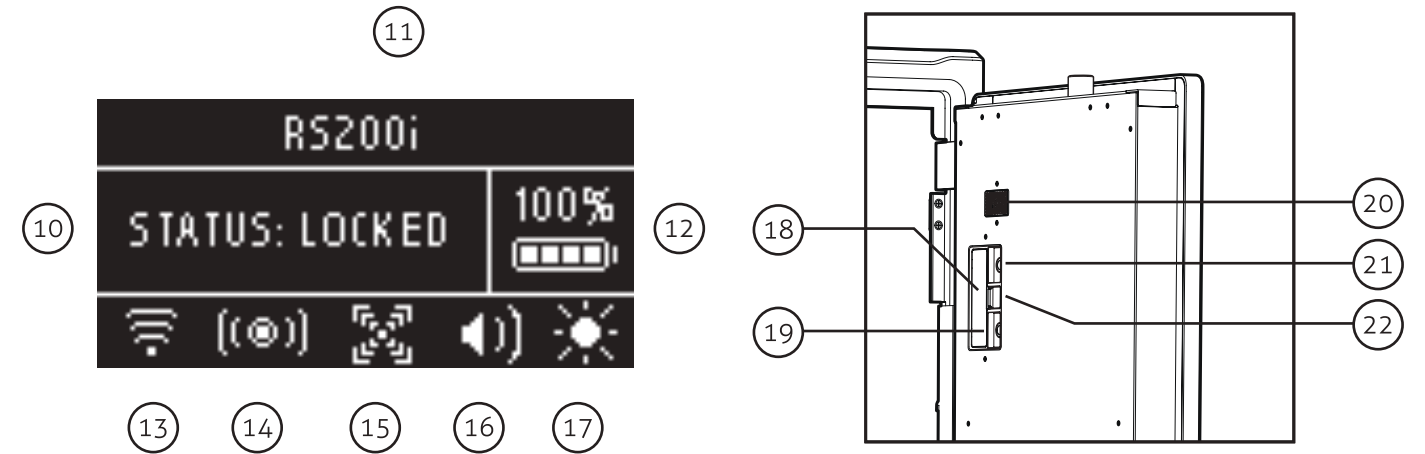
## Product Overview

Get to know your Vaultek® RS200i.



- 01. LCD Screen
- 02. Smart Align  
Biometric Scanner
- 03. Key Hole Cover
- 04. Numeric Keypad
- 05. Charging Port
- 06. Perforated Mounting Board
- 07. Barrel Mounts + Extension Adapters
- 08. Twin Pistol / Magazine Holster
- 09. Pre-Drilled Mounting Holes

01 Vaultek®



- 10. Safe Status
- 11. Safe Name
- 12. Battery Level
- 13. Wi-fi® On/Off
- 14. Smart Key Setting
- 15. DMT Setting
- 16. Sound On/Off
- 17. Interior LEDs On/Off
- 18. Battery Compartment
- 19. PROGRAM Button
- 20. Temperature/Humidity  
Sensor Cover
- 21. LED Light Button
- 22. Micro-USB Port (Not for Charging)  
*Service Use Only*

02 Vaultek®

## Introduction

The Vaultek® RS200i is a tough and rugged, quick access, Wi-Fi® enabled smart safe. Its solid structure and penetration resistant design makes it ideal for storing valuables such as firearms, jewelry, cash, and other personal items. Powered by a rechargeable lithium-ion battery, the safe combines high security with complete access control.

**Secure Access** How to open your Vaultek® Safe.

**Biometric Scanner:** Personalized access for up to 20 unique fingerprints. See pages 09 to 12 for more information.

**Keypad:** The numeric keypad responds quickly for rapid access and has a built-in proximity sensor that lights up when your hand brushes against the safe. See page 08 for more information.

**Smart Key:** Remote for On Demand access. See page 13 and 16 for more information.

**Key:** Two keys are provided for manual access to the safe in the event the battery dies.

**Secure Defense** How your Vaultek® Safe keeps people out.

**Anti-Impact Latches:** Built to withstand forceful impacts and heavy slams.

**No External Access Points:** A combination of interior mounted hinges and extended anti-pry reinforcement bars help prevent unwanted tools from attempting to break the safe open.

**Security Sleep Mode:** Activates when six (6) consecutive incorrect keypad entries are entered or (6) incorrect fingerprint scans are made. The safe will not accept any entries for four minutes. If any additional attempts are made the alarm will beep. The security sleep mode can be cleared upon unlock of the safe by any authorized access method including the backup keys.

**DMT (Impact Detection):** Motion activated alarm can be disabled or enabled with three levels of sensitivity (Low, Medium, and High) using the safe's hot key functions, online dashboard, or Vaultek® Wi-Fi® app.

**Alert Notifications:** Wi-Fi® connectivity allows you to receive alerts such as push notifications and text alerts during critical safe activity. This includes battery levels, impacts, extreme temperatures, tampering, and anytime the safe is opened.

## Warnings

To prevent damage to your Vaultek® unit or injury to yourself or to others, read the following safety precautions before using this unit.

**DO NOT** PLACE OR STORE THE BACKUP KEYS INSIDE THE SAFE AT ANY TIME. IF THE BATTERY FAILS, YOU WILL BE UNABLE TO OPEN THE SAFE.

**DO NOT** expose to extreme heat or cold. Battery power may be affected.

**DO NOT** store loaded guns in this unit. Firearms are serious in nature and must be handled with respect. Store responsibly.

**DO NOT** get fingerprint sensor wet.

**ALWAYS** check to make sure door has latched when closing; door requires a firm press and locks automatically.

### **DISCLAIMERS:**

NEITHER SELLER NOR MANUFACTURER SHALL BE LIABLE FOR UNAUTHORIZED ACCESS, ANY INJURY, LOSS OR DAMAGE TO PERSONAL PROPERTY DIRECT OR CONSEQUENTIAL, ARISING OUT OF THE USE OF, OR THE INABILITY TO USE THE VAULTEK® SAFE.

THE USER SHALL DETERMINE THE SUITABILITY OF THE VAULTEK® SAFE BEFORE THE INTENDED USE AND USER ASSUMES ALL RISK AND LIABILITY WHATSOEVER IN CONNECTION THEREWITH. VAULTEK® SAFES ARE NOT INTENDED TO PROTECT AGAINST ENVIRONMENTAL HAZARDS INCLUDING FIRE AND WATER.

Be sure and follow all local and state firearm laws.

**DO NOT** operate a firearm without proper training and experience.

**Check page 16 for Smart Key warnings.**

Wi-Fi® is a registered trademark of Wi-Fi Alliance®.

## Battery Operation

Your safe uses a 3.6V 18650 rechargeable lithium-ion with a flat top. A minimum 2000 mAh capacity is required, however 2200 mAh or higher can be used to increase operation time.

### Battery Installation

- 1 To get started, insert one of your backup keys into the keyhole located under the keyhole cover on the front door (see Figure A). Push key in and rotate the key 90 degrees clockwise to open the safe.
- 2 Locate the battery compartment inside the safe on the backside of the front door (see Figure B).
- 3 Remove the battery cover by pressing down on the tab near the top of the cover.
- 4 Insert the 18650 rechargeable lithium-ion battery (included in accessory box) into the battery compartment. Note that your Vaultek® safe automatically detects the polarity of the battery and can be installed in either direction.  
**TIP!** For easy removal make sure to place the pull string over the battery before replacing the cover.
- 5 When the battery is inserted you will hear a short welcome tone and the keypad will light up.
- 6 Once you hear the tone replace the battery cover. You are now ready to program your safe.

**IMPORTANT** Your Vaultek® safe will automatically lock when you fully close the door.

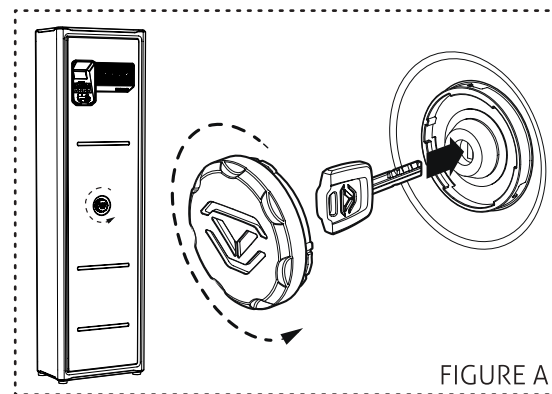


FIGURE A

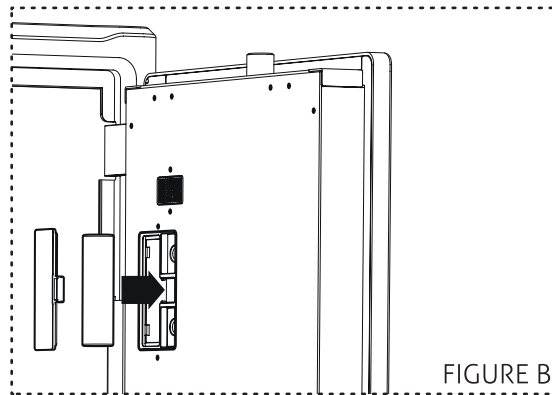


FIGURE B

Continue on next page for more information about the battery.

### Charging the Battery

Your Vaultek® safe is powered by a rechargeable lithium-ion battery and comes with a charging kit which includes an AC power adapter and a charging cable. Safe and charging cable can be used with all international power adapters. Under normal usage, a fully charged battery can last up to one month.

Due to powerful features of the RS200i it is recommended to keep the safe plugged in.

- 1 **To recharge the safe**, plug the charging cable into the receiving jack located on the lower right side of the safe (Figure C) and connect to a standard USB port or wall outlet using the AC power adapter. Approximate recharge time is 3.5 hours.
- 2 The LCD screen will indicate the power status.

### Charging TIPS

- A After installing the battery, use the charging kit provided to charge the unit 100%.
  - B The charging kit can also function as an external power supply, which means you can open your safe even when the battery is depleted.
  - C Leaving your safe plugged in continually will **not** harm the safe or battery.
  - D A specially designed Vaultek Powerpack is available as a separate accessory to extend operation time.
  - E The adapter used to charge the battery should output 5V/2000mA or above when using charging cable.
- See the FAQ section for additional information about the battery.

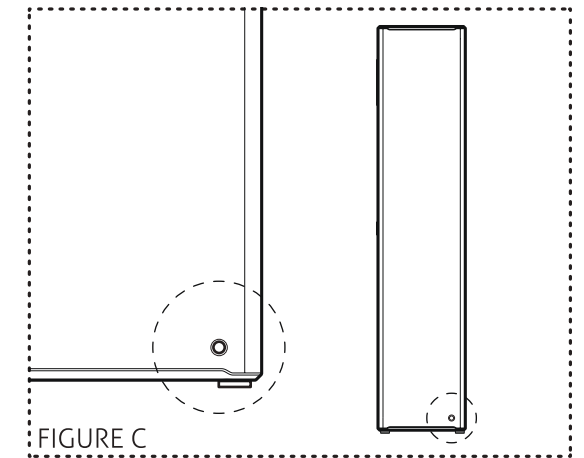


FIGURE C