



VT SERIES

NVTi | NVT INSTRUCTION MANUAL

QUICK SETUP!

SCAN CODE 
*USE PHONE CAMERA



or visit www.vaulteksafe.com/support/vt-series/

Thank You

At Vaultek® we stand behind our product and you our customer. On behalf of the entire team thank you for your purchase. We believe personal defense should be handled seriously and we're excited for you to experience the ultimate performance in smart-security.

This safe has been granted two United States Patents. An exterior design patent as well as a patent for Vaultek's signature two point latch system. US Patent Numbers: US D817,589 S | US 10,253,529

Access Quick Setup, Tutorials, and Troubleshooting online using the code on the right. Simply scan the code with your phone's camera or visit www.vaulteksafe.com/support/vt-series/ and select your model.

Need help? Please email our support team at support@vaulteksafe.com.

Stop! Do not return to retailer. If you have any questions about your Vaultek® safe or need help configuring the system, please visit www.vaulteksafe.com/support/vt-series/.

Vaultek® Customer Support: support@vaulteksafe.com



Register your product online using the code on the right. Simply scan the code with your phone's camera or visit www.vaulteksafe.com, click Support, then Product Registration. Enter the required information in the form and click submit.

Registration provides many benefits including three year warranty, technical support, and ordering replacement keys should you misplace them.



Table of Contents

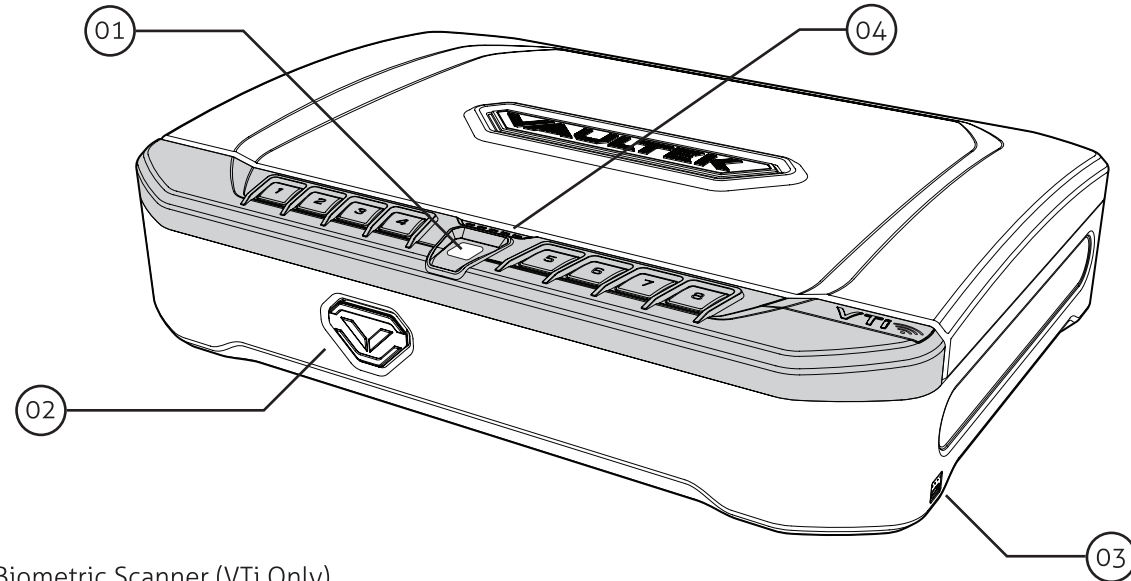
Get to Know Your Vaultek® Safe	01 / 02
Basic Operation.....	03
- Unlocking.....	03
- How your Vaultek® Safe Keeps People Out	03
Warnings.....	04
Battery.....	05 / 07
- Installation	05
- Charging the Battery.....	06
Master Code Programming	08
Biometric Scanner (Biometric Model Only)	09 / 12
- Programming Admin Prints 1 and 2.....	10
- Programming Additional Prints 3-20.....	11
- Deleting Fingerprints.....	12
Vaultek® Wi-Fi Setup	12
Nano Key.....	13 / 16
- Pairing.....	13
- Entry Modes.....	14
- Unpairing.....	14
Hot Keys.....	16 / 18
- Tamper Detection.....	16
- Sound.....	16
- Battery Status.....	17

- Travel Mode	17
- Interior Light	17
- Open Door Alarm.....	17
- Impact Detection (DMT).....	17
- Alert of Manual Unlock.....	18
- Nano Key Entry Modes.....	18
- Delete Fingerprints (Biometric Model Only).....	18
- Dual Entry Mode (Biometric Model Only).....	18
- Factory Reset.....	18
Securing Your Safe	19
- Using the Security Cable	19
- Using the Mounting Hardware	19
Product Registration	20
FAQ	21 / 22
Troubleshooting	23
Customer Support / Limited Warranty	24

For setup, tutorials, and FAQs visit www.vaulteksafe.com/support/vt-series/

Get to Know Your Vaultek® Safe

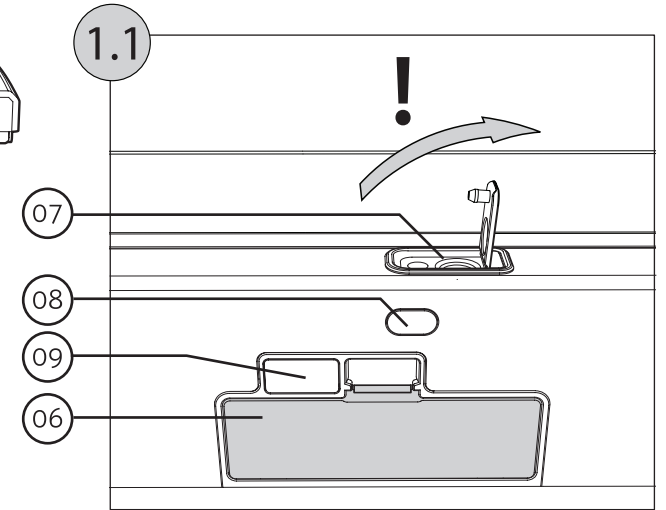
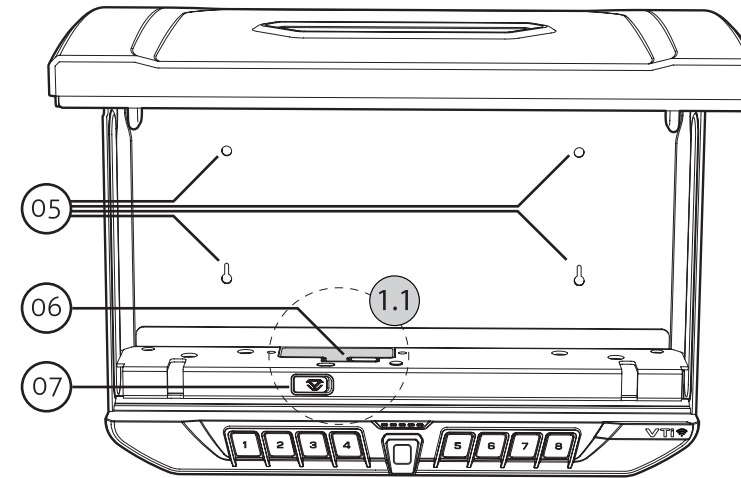
The Vaultek® NVTi/NVT is a tough and rugged, quick access, Wi-Fi® enabled smart safe. Its solid structure and penetration resistant design makes it ideal for storing valuables such as firearms, jewelry, cash, and other personal items. Powered by a rechargeable lithium-ion battery, the safe combines high security with complete access control.



- 01. Biometric Scanner (VTi Only)
- 02. Silicone Keyhole Cover
- 03. Micro-USB Charging Port
- 04. LED Status Bar
- 05. Pre-Drilled Holes

- 06. Battery Compartment Door
- 07. PROGRAM Button (Located Beneath Protective Cover)
- 08. LED Light Button
- 09. LED Light

For setup, tutorials, and FAQs visit www.vaulteksafe.com/support/vt-series/



Box Contents

- Vaultek® Safe
- Nano Key
- 18650 Rechargeable Lithium-ion Battery
- AC Power Adapter and Charging Cable

- High Strength Steel Security Cable
- Hardware Mounting Kit
- Owner's Manual / Quick Start Guide
- Backup Keys (2)

For setup, tutorials, and FAQs visit www.vaulteksafe.com/support/vt-series/

Basic Operation: Unlocking

Keypad: The numeric keypad responds quickly for rapid access and has a built-in proximity sensor that lights up when your hand brushes against the safe. See page 08 for more information.

Nano Key: Remote for On Demand access. See page 13 and 16 for more information.

Key: Two keys are provided for manual access to the safe in the event the battery dies.

Biometric Scanner (Biometric Model Only): Personalized access for up to 20 unique fingerprints. See pages 09 to 12 for more information.

Basic Operation: How your Vaultek® Safe Keeps People Out

Anti-Impact Latches: Built to withstand forceful impacts and heavy slams.

No External Access Points: A combination of interior mounted hinges and extended anti-pry reinforcement bars help prevent unwanted tools from attempting to break the safe open.

Security Sleep Mode: Activates when six (6) consecutive incorrect keypad entries are entered or (6) incorrect fingerprint scans are made. The safe will not accept any entries for four minutes. If any additional attempts are made the alarm will beep. Security sleep mode can be cleared upon unlock of the safe by any authorized access method including the backup keys.

Impact Detection (DMT): Motion activated alarm can be disabled or enabled with three levels of sensitivity (Low, Medium, and High) using the Vaultek® app or hot key functions. See page 18 for information.

Alert Notifications: Wi-Fi® connectivity allows you to receive alerts such as push notifications and text alerts during critical safe activity. This includes battery levels, impacts, extreme temperatures, tampering, and anytime the safe is opened.

For setup, tutorials, and FAQs visit www.vaulteksafe.com/support/vt-series/

Warnings

To prevent damage to your Vaultek® unit or injury to yourself or to others, read the following safety precautions before using this unit.

DO NOT PLACE OR STORE THE BACKUP KEYS INSIDE THE SAFE AT ANY TIME. IF THE BATTERY FAILS, YOU WILL BE UNABLE TO OPEN THE SAFE.

DO NOT expose to extreme heat or cold. Battery power may be affected.

DO NOT store loaded guns in this unit. Firearms are serious in nature and must be handled with respect. Store responsibly.

DO NOT get fingerprint sensor wet.

ALWAYS check to make sure door has latched when closing; door requires a firm press and locks automatically.

Be sure and follow all local and state firearm laws.

DO NOT operate a firearm without proper training and experience.

Disclaimers:

NEITHER SELLER NOR MANUFACTURER SHALL BE LIABLE FOR UNAUTHORIZED ACCESS, ANY INJURY, LOSS OR DAMAGE TO PERSONAL PROPERTY DIRECT OR CONSEQUENTIAL, ARISING OUT OF THE USE OF, OR THE INABILITY TO USE THE VAULTEK® SAFE.

THE USER SHALL DETERMINE THE SUITABILITY OF THE VAULTEK® SAFE BEFORE THE INTENDED USE AND USER ASSUMES ALL RISK AND LIABILITY WHATSOEVER IN CONNECTION THEREWITH. VAULTEK® SAFES ARE NOT INTENDED TO PROTECT AGAINST ENVIRONMENTAL HAZARDS INCLUDING FIRE AND WATER.

Be sure and follow all local and state firearm laws.

DO NOT operate a firearm without proper training and experience.

Check page 14 and 16 for Nano Key warnings.

Wi-Fi® is a registered trademark of Wi-Fi Alliance®.

Battery: Installation

Your safe uses a 3.7V 18650 rechargeable lithium-ion with a flat top. A minimum 2000 mAh capacity is required, however 2200 mAh or higher can be used to increase operation time.

- 1 To get started, insert one of your backup keys into the keyhole at the front of the safe (see Figure A). Push key in and rotate key clockwise to open the safe.
- 2 Remove the interior padding. Locate the battery compartment door on the inside of the safe directly behind the '4' key on the keypad (see Figure B).
- 3 Remove the battery cover by pressing down on the tab near the top of the cover.

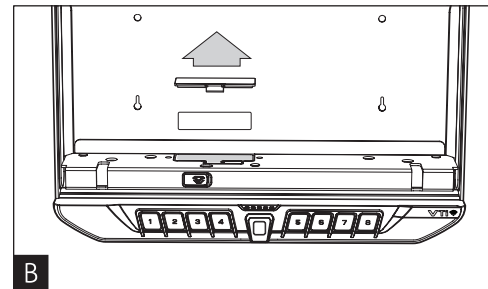
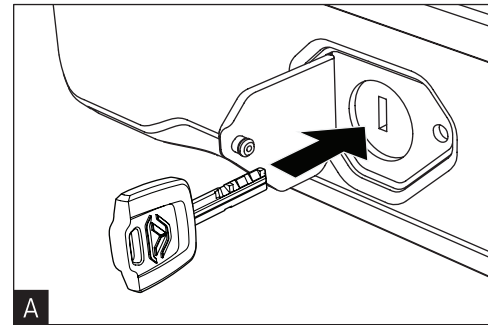
Tip! Before inserting the battery make sure to place the pull string over the battery before closing the door for easy removal.

- 4 Insert the battery (included in accessory box) into the battery compartment. Note that your Vaultek® safe automatically detects the polarity of the battery and can be installed in either direction.
- 5 When the battery is inserted you will hear a short welcome tone and the keypad will light up. Once you hear the tone and see the keypad light up, replace the battery cover. You are now ready to program your safe.

IMPORTANT! Your Vaultek® safe will automatically lock when you fully close the lid.

IMPORTANT! First time users should change the default code immediately after installing the battery to prevent unauthorized access to your safe.

Tip! Register your safe online. This is important in the event you lose your keys. See page 20.



Battery: Maintenance

Your Vaultek® safe is powered by a rechargeable lithium-ion battery and comes with a charging kit which includes an AC power adapter and a micro-USB cable. Safe and micro-USB cable can be used with all international power adapters. Under normal usage, a fully charged battery can last about 3 months.

Battery Maintenance: Charging the Battery

- 1 **To recharge the safe**, plug the micro-USB cable into the micro-USB receiving jack located on the right side of the safe (Figure C) and connect to a standard USB port or wall outlet using the AC power adapter. Approximate recharge time is 2.5 hours.
- 2 The LED on the side of the safe (Figure C) will glow RED indicating charging or GREEN indicating that charging is complete.

Battery Maintenance: Charging Tips!

- After installing the battery, use the charging kit provided to charge the unit 100%.
- The charging kit can also function as an external power supply, which means you can open your safe even when the battery is depleted.
- Leaving your safe plugged in continually will **not** harm the safe or battery. However, to preserve battery life we suggest that you unplug occasionally to allow the battery to cycle down.
- A specially designed Vaultek® powerpack is available as a separate accessory to extend operation time.
- The adapter used to charge the battery should output 5V/2000mA or above when using micro-USB cable.

See the next page for additional information about the battery.

