

WX1910APD USER MANUAL

Power Bank 10000 mAh

Charging the power bank

Please note: Before using your power bank for the first time, please charge it to full (digits showing 100)

- This unit requires 3-4 full charges and drain cycles before the battery is optimized to its full potential. The unit should be recharged every 3 months when not in use of computer or wall outlet adaptor.

- To charge the power bank, connect the Micro USB or Type C port to power bank and the USB to your computer, car charger or wall charger.

- The indicator is flashing showing it is charging. All indicators will light on continuously once fully charged.

Indicator

1. To check the power level, press the button once, the LED lights will indicate the power status

The 4 LED lights indicate the power level status:

- 4 lights—76-100% charged
- 3 lights—51-75% charged
- 2 lights—26%-50% charged
- 1 light—0-25% charged

Charge with data cable:

1. Insert your device's regular USB A or USB C charging cable into the output port of power bank.

2. Insert the other end into your electronic device.

3. Your device should indicate that charging has started.

Wireless charging:

- Check if your device supports Qi standard wireless charging;

- If it supports, place your device on the marked wireless charging area on the power bank;

- If your device is placed on the correct position of the power bank, one wireless charging indicator of the power bank will turn on green whilst wireless charging.

Note: The wireless charging power bank is engineered to work with the most lightweight smartphone cases. However, if the back of the smartphone case is thicker than 3mm or contains metallic, magnetic or battery materials, it may affect the functionality of the wireless charge.

- The power bank contains powerful silicone suction cups that tightly attach your phone to the charger. The suction cups are compatible with any type of material: silicone, plastic, glass, so it is not necessary to take off your protection case.

Safety Precautions

Please note: Improper use may result in product damage, decreased battery life and loss of charging capacity not covered by the manufacturer's warranty.

1. Do not use harsh chemicals or cleaning agents on the exterior of this unit
2. Do not allow the unit to come in contact with water or moisture
3. Do not disassemble or try to repair or modify
4. Do not drop, bump, throw or shake the unit, this may damage internal components

Capacity: 10000 mAh (polymer battery)

Micro Input: DC5V-2.0A/9V-2.0A

Type C Input: DC5V-3.0A/9V-2.0A

Output: DC5V-3A/9V-2A/12V-1.5A Type C

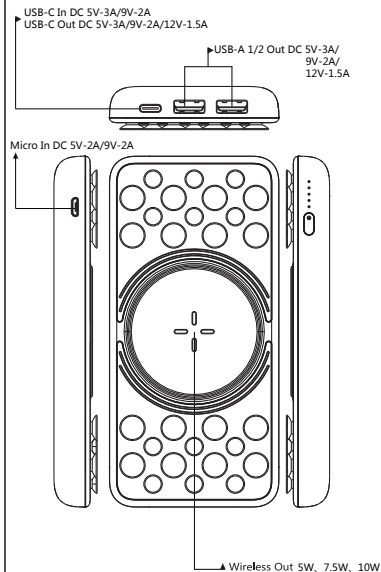
Output1: DC5V-3A/9V-2A/12V-1.5A USB

Output2: DC5V-3A/9V-2A/12V-1.5A USB

Wireless output: 5W & 7.5W & 10W

Total output: 15W

Capacity LED indicators: Yes



FCC STATEMENT :

This device complies with Part 15 of the FCC Rules. Operation is subject to the following two conditions:

- (1) This device may not cause harmful interference, and
- (2) This device must accept any interference received, including interference that may cause undesired operation.

Warning: Changes or modifications not expressly approved by the party responsible for compliance could void the user's authority to operate the equipment.

NOTE: This equipment has been tested and found to comply with the limits for a Class B digital device, pursuant to Part 15 of the FCC Rules. These limits are designed to provide reasonable protection against harmful interference in a residential installation. This equipment generates uses and can radiate radio frequency energy and, if not installed and used in accordance with the instructions, may cause harmful interference to radio communications. However, there is no guarantee that interference will not occur in a particular installation. If this equipment does cause harmful interference to radio or television reception, which can be determined by turning the equipment off and on, the user is encouraged to try to correct the interference by one or more of the following measures:

- Reorient or relocate the receiving antenna.
- Increase the separation between the equipment and receiver.
- Connect the equipment into an outlet on a circuit different from that to which the receiver is connected.
- Consult the dealer or an experienced radio/TV technician for help.

FCC Radiation Exposure Statement:

This equipment complies with FCC radiation exposure limits set forth for an uncontrolled environment. This equipment should be installed and operated with minimum distance 20cm between the radiator & your body.