



BLUETOOTH NOISE ISOLATING EARMUFFS



User Guide

Stay in the Zone While You Work

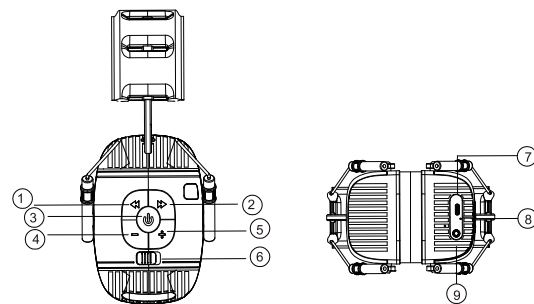
The **SoundGuards** are the best earmuffs for noise isolation while working in noisy environments, with the additional Bluetooth and AUX compatibility they even allow you to enjoy some music or answer calls while in use. Super comfortable for a whole day's use, plus they are OSHA compliant for peace of mind and the highest safety standards. Block most noise while wearing the SoundGuards or be part of the conversation with the breakthrough transparency mode feature.

- Noise isolating technology allow you to listen to music without any interruptions.
- Wireless design with Bluetooth technology (also compatible with AUX).
- Comfortable and protective headset so you can use all day long.
- OSHA compliant for strict safety standards.
- Answer or reject calls on the fly using built-in microphone.
- On unit multi-function controls that are easy to use.
- Transparency mode to hear the little things.

Setup Instructions

1. Press and hold the power button for two seconds to turn the headphones ON.
2. Open the Bluetooth settings on your device, search and select "Soundguards", follow the device instructions to finish the pairing process.
 - a. If you wish to connect via AUX instead, skip this step and instead plug one end of an AUX cable into your device and the other into the headphone jack.
 - b. To switch to AUX mode, press the Power/Multi-function button.
3. Your headphones are now ready for use!
4. To charge your headphones, plug the USB-C charging cable into the port on the headphones and connect the other end into a USB power source.
5. The LED will flash red while charging and turn blue once fully charged.
6. Slide the Transparency mode ON/OFF switch to hear/isolate environmental sound.

Button Control



1. Previous Song
2. Next Song
3. Multi-function button:
 - a. Power (Press and hold) to turn ON/OFF
 - b. Play/Pause (Press)
 - c. Answer/End call (Press)
 - d. Reject call (Press and hold)
 - e. Redial (Press twice)
4. Decrease volume
5. Increase Volume
6. Transparency Mode Switch
7. Charging port
8. Indicator light
9. 3.5mm Aux port

Warnings

- Do not use the headphones if the inability to hear surrounding sounds may present a danger to yourself or others. This is included, but not limited to, riding a bicycle, walking in or near traffic, or working on a construction site or railroad
- Ensure you are always able to hear surrounding sounds, including alarms and warning signals.
- Do not use headphones at a high volume for any extended period to avoid hearing damage. Use your headphones at a comfortable, moderate volume level.
- Do not use headphones while driving.
- Keep away from wet or humid environments.
- Do not operate if headphones are wet or with wet hands.

Specifications

Noise Reduction Rating: 22dB
Bluetooth Version: 5.0
Music Playback: Up to 50 hours
Charging Time: Up to 3 hours
Power Input: 5V/0.6A
Frequency: 20Hz - 20KHz
Battery: 1200mAh
Dimensions: 5.1 x 7.5 in.

This device complies with Part 15 of the FCC Rules. Operation is subject to the following two conditions: (1) this device may not cause harmful interference, and (2) this device must accept any interference received, including interference that may cause undesired operation.

Changes or modifications to this unit not expressly approved by the party responsible for compliance could void the user's authority to operate the equipment.

NOTE: This equipment has been tested and found to comply with the limits for a Class B digital device, pursuant to Part 15 of the FCC Rules. These limits are designed to provide reasonable protection against harmful interference in a residential installation. This equipment generates, uses and can radiate radio frequency energy and, if not installed and used in accordance with the instructions, may cause harmful interference to radio communications. However, there is no guarantee that interference will not occur in a particular installation. If this equipment does cause harmful interference to radio or television reception, which can be determined by turning the equipment off and on, the user is encouraged to try to correct the interference by one or more of the following measures:
-- Reorient or relocate the receiving antenna.
-- Increase the separation between the equipment and receiver.
-- Connect the equipment into an outlet on a circuit different from that to which the receiver is connected.
-- Consult the dealer or an experienced radio/TV technician for help.

This device and its antenna(s) must not be co-located or operation in conjunction with any other antenna or transmitter.

Radiation Exposure Statement
The device has been evaluated to meet general RF exposure requirement. In portable exposure condition without restriction.