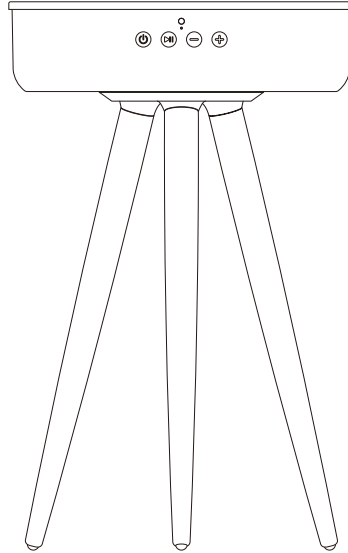


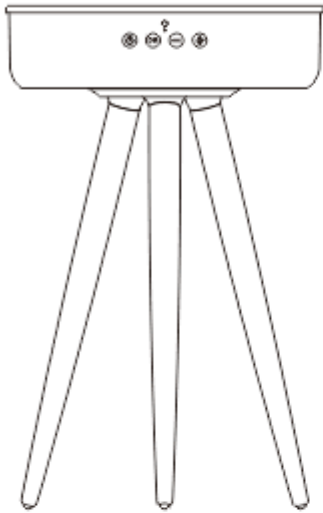
**MANUAL**

**TABLE BLUETOOTH SPEAKER**

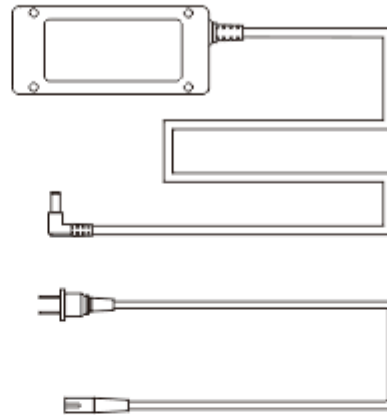
**MODEL NO.: BT-Z1**



## What's in the Box



x1



x1  
AC Adapter

x1  
Power Cord



x1

Aux 3.5mm cable



Leg EVA cushion

x3



x1

Instruction Manual

Thank you for purchasing BT-Z1 the Portable Bluetooth Speaker, in order to make the best use of this product and to use it safely, please read the manual carefully before use and keep it for future reference.

### 1. Power On/Off

- A) Long press [POWER] button, you can hear the audio of “Power On” from the speaker, the speaker will enter Bluetooth mode as default, and give voice of “Bluetooth, waiting for connection” prompt, then smart phone and other devices can be paired with speaker.
- B) Long press [POWER] button, the speaker will be turned off, you can hear the voice of “Power Off” from the speaker prompt.

## 2. AUX Auto Switch

Insert the AUX cable into the AUX socket at the rear panel of the speaker, the speaker will switch to AUX mode automatically, the green LED light will be on. The Bluetooth mode will be switched off directly.

After taking out the AUX cable, the Bluetooth mode will be switched on automatically, then you can hear the voice of “Bluetooth/ Waiting for connection”.

## 3. Bluetooth Connection and Play

A) When the speaker is in Bluetooth mode, it will automatically switch to “pairing status”, the blue LED light will flash slowly, the Bluetooth device name is “**BT-Z1**”.

B) The speaker will pair with smart phone via Bluetooth, the speaker will sound “Bluetooth is connected” after pairing, the blue LED light will be always on. If failed, the blue LED light will flash slowly.

C) When playing music after connecting with smart phone via Bluetooth, the speaker will pause if shortly press **【Play/Pause/phone】**, it will resume playing after shortly press **【Play/Pause/phone】**.

D) When this speaker is connected with smart phone, long press the button **【Play/Pause/phone】**, the speaker will be switched off the connection with the paired mobile phone, another smart phone can connect with “BT-Z1” via Bluetooth.

E) The best distance between smart phone and speaker is  $\geq 10\text{m}$ .

## 4. Call via Bluetooth

A) When a call comes in, the speaker will broadcast the incoming call's phone number and with sound of “dudu” if connected with Android smart phone. If connected with iPhone, it will broadcast the incoming call's phone number and sound "cell phone rings". shortly press the **【Play/Pause/phone】** button to answer the phone, speak to the MIC, it will be a clear call. Short press again to hang up, and long press to **decline**.

B) Double press **【Play/Pause/phone】** button for dialing the phone number of the last call in record.

## 5. Voice Reminding:

A) **POWER ON:** Connect the power supply (voice prompt when the speaker turns on).

B) **Bluetooth:** Bluetooth mode

C) **POWER OFF:** Shut off the power supply (voice prompt when the speaker turns off).

D) **Waiting for connection:** Pairing (enter Bluetooth mode / AUX, and back to Bluetooth mode).

E ) Bluetooth is connected: pairing successfully, back to Bluetooth Mode successfully again.

F ) Bluetooth Disconnected, waiting for connection: switch off the connection with the paired mobile phone or other device,(long press 【Play/Pause/phone】 to disconnect Bluetooth).

G ) Maximum volume: Maximum volume level

H ) Low Battery: The built-in battery need to be charged.

## 6. Volume Control

A ) Press 【+】button to increase the volume( 30 levels in total, 13 levels by default when speaker turn on )

B ) Press 【-】 button to decrease the volume ( 30 levels in total, 13 levels by default when speakers turn on )

## 7. Automatic Power Off

After powering on the speaker without Bluetooth connection, or without LINE IN signal, or disconnecting the Bluetooth after 10 minutes, the speaker will power off automatically, the speaker will sound “POWER OFF”.

## 8. USB Charging

When the speaker is powered on, or connected with A/C adapter, the USB ports (2.1A/1A) can charge iPhone and other Android mobile phone at the same time, when the speaker is turned off, the USB port cannot charge any external devices.

If the speaker is connected via the A/C adaptor, even the speaker is turned off, the USB ports (2.1A/1A) can charge iPhone and other Android mobile phone at the same time.

## 9. Wireless charging (Optional)

The charging coil of the wireless charging devices (The mobile phone which can support Qi standard of wireless charging) need to aim at the wireless charging mark which in the middle of the table speaker, when the speaker power on or connected with A/C adapter, you can see the charging mark from your mobile phone or with a sound of “Di”after connecting with the devices for wireless charging.

## 10. Low Battery and Charging

A ) When the battery capacity is low, the speaker sound “Low Battery” prompt to remind the user that the speaker need to be charged; If the user does not charge, the speaker will be automatically powered off.

B ) After connecting A/C adapter to DC port on the back of the speaker, the red LED light will be illuminated while charging, the red LED light will turn off when the speaker is fully charged

**Caution: The LED light is Red for one second after connecting with A/C adapter, then, the LED light tur**

n off, it means the built-in battery is full charged, it is normal phenomenon.

**Warning:** Please use the original A/C adapter for charging, if not, it may cause the speaker to be charged slowly or cannot be charged at all. In extreme cases, A/C adapter will be burned out or other accident occurred!

#### 11. TWS function

TWS feature allows you to link two speakers together. The first table will be the master connected to the Bluetooth device and operate all controls. The second table is a linked speaker giving True Wireless Sound.

1. Turn on the first speaker and second speaker, Double click **【POWER/TWS】** on both tables, the speakers will enter team paring mode, you will hear an acoustic signal, the blue LED will flash rapidly at the same time. After the team paring, the LED of first speaker (Master) will remain flash slowly, the LED of second speaker (Sub-speaker) (linked TWS) will be green. After connecting with phone or other Bluetooth devices, the Master speaker LED will be Blue stably.

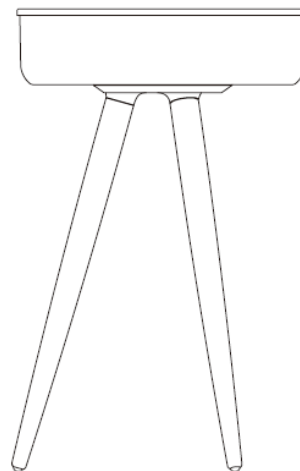
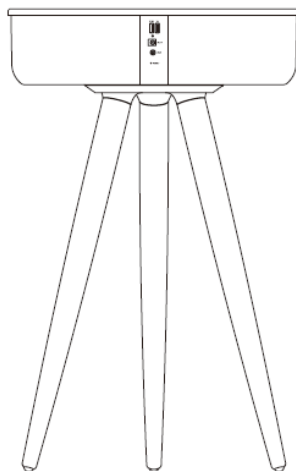
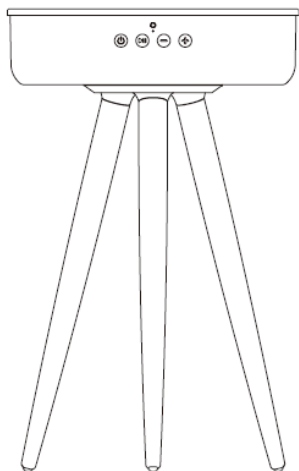
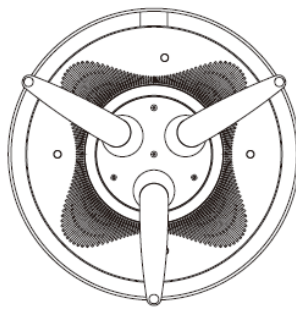
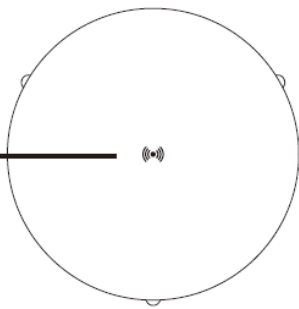
2. When speakers are team paired successfully, short press **【POWER/TWS】** of master speaker or sub-speaker to switch Off the team pairing TWS mode.

3. When speakers are team paired TWS mode successfully under Bluetooth, the two speakers can still work as paired speakers by inserting the AUX cable into the AUX socket on the first speaker (Master), the Master speaker will be with green and blue LED light, the sub-speaker with Green LED light. TWS mode will fail if Aux cable is inserted to the Aux socket on the second (linked) sub-speaker.

4. Under TWS status, only the master speaker will with response, and pick up the phone. The second speaker is without response.

#### **DESCRIPTION OF PART**

12



1



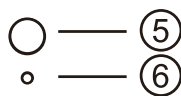
2



3

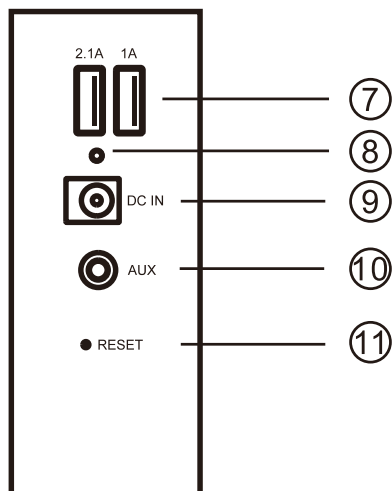


4



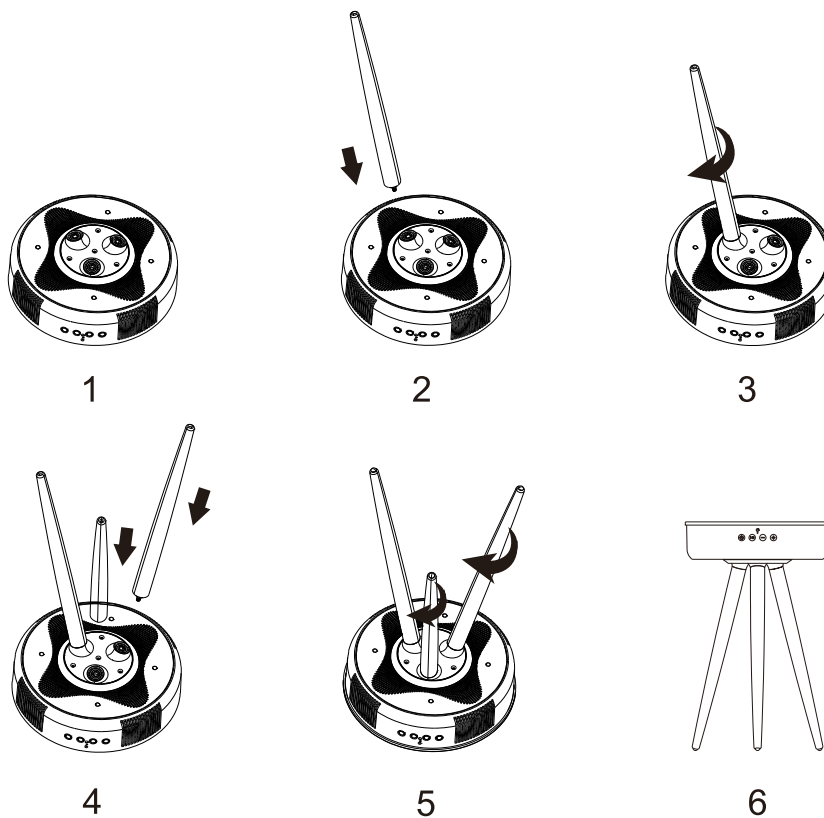
5

6



- 2.PLAY / PAUSE / PHONE
- 3.VOLUME-
- 4.VOLUME+
- 5.MIC
- 6.LED
- 7.USB ports: 5V  $\overline{\text{---}}$  2.1A / 5V  $\overline{\text{---}}$  1A
- 8.Charging LED Light
- 9.DC IN
- 10.AUX
- 11.RESET
- 12.WIRELESS CHARGING DOCK (Optional)

#### ASSEMBLE STEPS



- 1.Open the gift box, put the speaker on the table and the fixing hole upwards.
- 2.Take one from wooden tripod and match it with one fixing hole.
- 3.Rotate it clockwise until tightly fixed.
- 4.To fix the left two with the same procedure.
- 5.The wooden tripod is well fixed.
- 6.Put the speaker on the ground.

## **Warning:**

- 1、 The maximum bear weight of this product is 5kg, the consumers couldn't put any item more than 5kg on this product, otherwise, the consumers will bear the damage to this product by themselves.
- 2、 This product couldn't be used as seat, no matter adult, or children, couldn't sit on this product, otherwise, the consumers will have to bear by themselves the damage to this product, and the damage to your health.
- 3、 Please use the original A/C adapter for charging, if not, it may cause the speaker to be charged slowly or cannot be charged at all. In extreme cases, A/C adapter will be burned out or other accident occurred !

## **FCC STATEMENT :**

This device complies with Part 15 of the FCC Rules. Operation is subject to the following two conditions:

- (1) This device may not cause harmful interference, and
- (2) This device must accept any interference received, including interference that may cause undesired operation.

**Warning:** Changes or modifications not expressly approved by the party responsible for compliance could void the user's authority to operate the equipment.

NOTE: This equipment has been tested and found to comply with the limits for a Class B digital device, pursuant to Part 15 of the FCC Rules. These limits are designed to provide reasonable protection against harmful interference in a residential installation. This equipment generates uses and can radiate radio frequency energy and, if not installed and used in accordance with the instructions, may cause harmful interference to radio communications. However, there is no guarantee that interference will not occur in a particular installation. If this equipment does cause harmful interference to radio or television reception, which can be determined by turning the equipment off and on, the user is encouraged to try to correct the interference by one or more of the following measures:

Reorient or relocate the receiving antenna.

Increase the separation between the equipment and receiver.

Connect the equipment into an outlet on a circuit different from that to which the receiver is connected.

Consult the dealer or an experienced radio/TV technician for help.

### **FCC Radiation Exposure Statement:**

This equipment complies with FCC radiation exposure limits set forth for an uncontrolled environment. This equipment should be installed and operated with minimum distance 20cm between the radiator & your body.