

Shenzhen Huaxunshitong Technology Co., Ltd.

## Antenna specification

Customer name: Yawei\_

Project name	S46	Antenna frequency band	BT
Specification description	<input type="checkbox"/> support+shell fragment	<input type="checkbox"/> Single shrapnel	<input type="checkbox"/> support+FPC+thimble
	<input checked="" type="checkbox"/> FPC	<input type="checkbox"/> FM aerial	<input type="checkbox"/> GPS aerial
	silk-screen: S46-1/S46-2		
	<input type="checkbox"/> coaxial-line	<input type="checkbox"/> WIFI aerial: <input type="checkbox"/> FPC+wire rod: <input type="checkbox"/> PCB+wire rod:	
Customer confirmation			

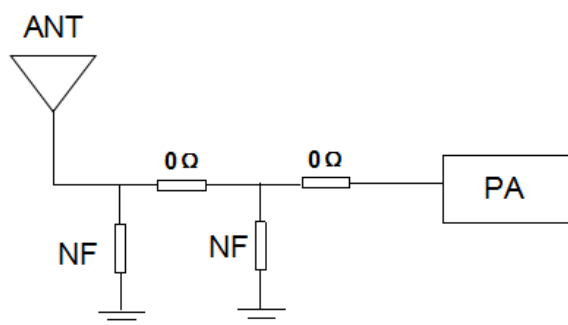
Supplier confirmation	Radio frequency confirmation	Structural confirmation	check
contacts	Wang pengchao	mobile phone	13480925226
telephone	0755-23705212	facsimile	0755-23705213
mailbox	szhuaxunshitong@126.com		
address:F3-005, Hongfenghua Internet Creative Park, No.1 Huangtiandamen Road, Hangcheng Street, Baoan District, Shenzhen			

## 1. Test environment

	test project	equipment
1. (S-parameter)	1. (Return Loss) 2. (VSWR)	: Agilent E5071B  HP 8753D
2. (Active)	1. (TRP) 2. (TIS)	1. ETS 7x4x3 m (3D) Chamber  ETS 5x3x3 m (3D) Chamber  2.: Agilent 8960 E5515B x2  StarPoint SP6011
3. (Passive)	1. (Gain) 2. (Efficiency)	1. ETS 7x4x3 m (3D) Chamber  ETS 5x3x3 m (3D) Chamber  2. Agilent E5071B  HP 8753D



## 2. matching circuit-BT aerial:



Our company has not made any modification to the matching circuit

### 3 Antenna position map



### 4 Efficiency and gain

BT-1			BT-2		
Passive Test For BT 2.4			Passive Test For BT 2.4		
Freq (MHz)	Effi (%)	Gain (dBi)	Freq (MHz)	Effi (%)	Gain (dBi)
2400	24.42	1.90	2400	27.15	1.76
2410	25.33	1.58	2410	28.62	1.58
2420	24.67	1.46	2420	25.59	1.51
2430	26.66	1.39	2430	28.45	1.69
2440	25.52	1.37	2440	29.99	1.55
2450	25.27	1.82	2450	28.64	1.61
2460	28.56	1.68	2460	25.83	1.62
2470	28.94	1.44	2470	28.61	1.66
2480	24.93	2.13	2480	26.58	1.69
2490	23.78	1.17	2490	27.07	1.54
2500	24.34	2.07	2500	28.83	1.70

### 5. BT Measured effect of antenna

Testing environment: Open outdoor

Distance test: the mobile phone is connected with the bracelet and fixed on a bracket with a height of 1.4M, Wear the bracelet correctly and gradually move away from the mobile phone..

Test mobile phone: Android

1 Play music/call without being stuck: More than 18 meters

2 Connect APP to test no dropped calls: More than 18 meters

Test mobile phone: iPhone

1 Play music/call without being stuck: More than 17 meters

2 Connect APP to test no dropped calls: More than 18 meters

## 6. Structural drawings

