

## Antenna specification

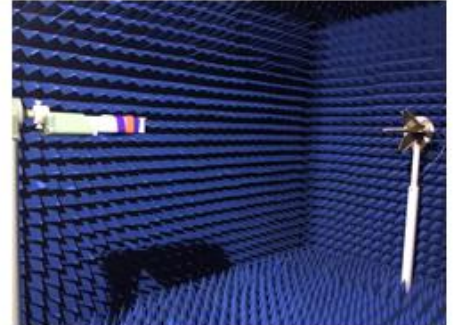
Customer name: \_Yawei\_

|                           |   |   |  |
|---------------------------|---|---|--|
| Project name              | P58   | Antenna frequency band  | BT   |
| Specification description | <input type="checkbox"/> support+shell fragment | <input type="checkbox"/> Single shrapnel  | <input type="checkbox"/> support+FPC+thimble |
|                           | <input checked="" type="checkbox"/> FPC         | <input type="checkbox"/> FM aerial  | <input type="checkbox"/> GPS aerial          |
|                           | silk-screen: P58                                |   |  |
|                           | <input type="checkbox"/> coaxial-line           | <input type="checkbox"/> WIFI aerial:<br><input type="checkbox"/> FPC+wire rod:<br><input type="checkbox"/> PCB+wire rod: |  |
| Customer confirmation     |   |   |  |

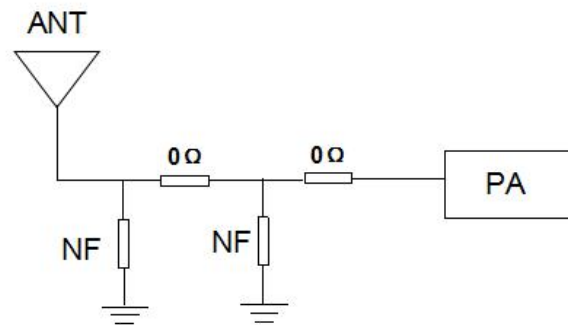
| Supplier confirmation  | Radio frequency confirmation | Structural confirmation | check         |
|--|------------------------------|-------------------------|---------------|
| contacts   | Wang pengchao                | mobile phone            | 13480925226   |
| telephone  | 0755-23705212                | facsimile               | 0755-23705213 |
| mailbox  | szhuaxunshitong@126.com      |                         |               |
| address:F3-005, Hongfenghua Internet Creative Park, No.1 Huangtiandamen Road, Hangcheng Street, Baoan District, Shenzhen |                              |                         |               |

## 1. Test environment

|                  | test project                  | equipment   |
|------------------|-------------------------------|---|
| 1. (S-parameter) | 1. (Return Loss)<br>2. (VSWR) | : Agilent E5071B<br><br>HP 8753D  |
| 2. (Active)      | 1. (TRP)<br>2. (TIS)          | 1. ETS 7x4x3 m (3D) Chamber<br><br>ETS 5x3x3 m (3D) Chamber<br><br>2.: Agilent 8960 E5515B ×2<br><br>StarPoint SP6011 |
| 3. (Passive)     | 1. (Gain) 2. (Efficiency)     | 1. ETS 7x4x3 m (3D) Chamber<br><br>ETS 5x3x3 m (3D) Chamber<br><br>2. Agilent E5071B<br><br>HP 8753D                  |



## 2. matching circuit-BT aerial:



Our company has not made any modification to the matching circuit

### 3 Antenna position map



### 4 Efficiency and gain

BT-1

| Passive Test For BT 2.4 |          |            |
|-------------------------|----------|------------|
| Freq (MHz)              | Effi (%) | Gain (dBi) |
| 2400                    | 25.22    | -1.58      |
| 2410                    | 28.27    | -1.74      |
| 2420                    | 26.13    | -1.66      |
| 2430                    | 24.54    | -1.68      |
| 2440                    | 27.56    | -1.60      |
| 2450                    | 26.83    | -1.78      |
| 2460                    | 26.04    | -1.55      |
| 2470                    | 23.38    | -1.74      |
| 2480                    | 27.66    | -1.51      |
| 2490                    | 24.50    | -1.73      |
| 2500                    | 28.68    | -1.75      |

### 5. BT Measured effect of antenna

Testing environment: Open outdoor

Distance test: the mobile phone is connected with the bracelet and fixed on a bracket with a height of 1.4M, Wear the bracelet correctly and gradually move away from the mobile phone. .

Test mobile phone: iPhone

1 Play music/call without being stuck: More than 17 meters

2 Connect APP to test no dropped calls: More than 18 meters

## 6. Structural drawings

