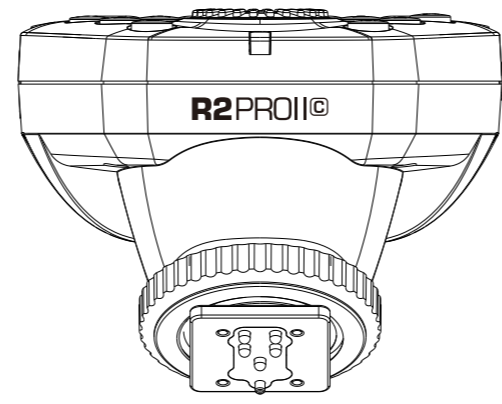


<b>Client</b>	Adorama
<b>Project No.</b>	F180518AR01
<b>Description</b>	FPRRR2PROII-Marking-V2
<b>Format</b>	Product marking
<b>Print Colors</b>	White
印刷色	
<b>Non-Print Colors</b>	DieLine
非印刷色	Label
	Transparent
<b>Note to Printer</b>	刀模线 > 勿印!
印刷注意事项	标示线 > 勿印!
<b>Us Office</b>	St. Paul MN 55118 United States +1 651 278 1920
<b>China Office</b>	Shanghai, China 200030 +86 21 64311215 +86 185 16294789
<b>Taiwan Studio</b>	Tainan, Taiwan 700 +886 6 3556600
<b>Important:</b>	Every effort has been made to ensure accuracy in our artwork, however, errors may still occur. Please review this file carefully. Client and his/her suppliers are responsible for reviewing all label contents, trademarks, text, nutritional information, etc., and all technical aspects prior to production. Should any error be found subsequent to client and/or supplier approval, Fir Studio Co., Ltd. shall be responsible only for replacement of the artwork containing the error, and in addition shall not be held responsible for any consequent changes or losses incurred as a result of any error.



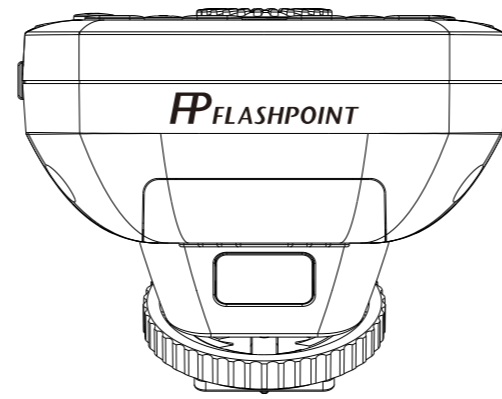
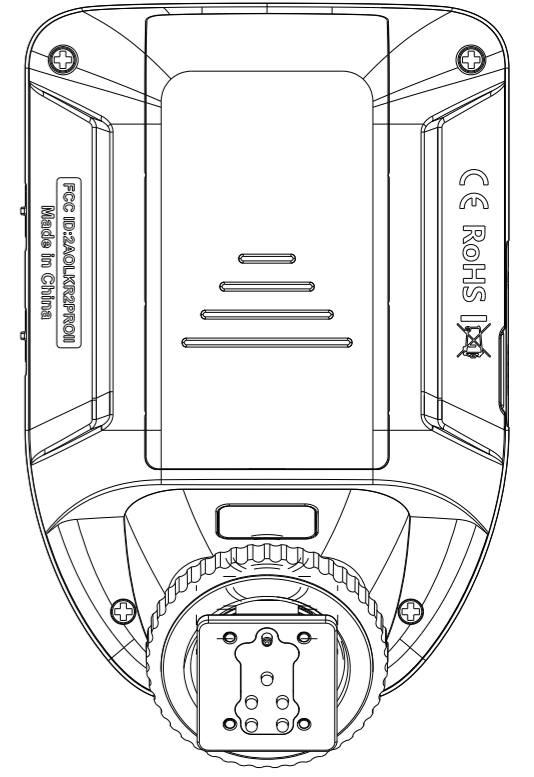
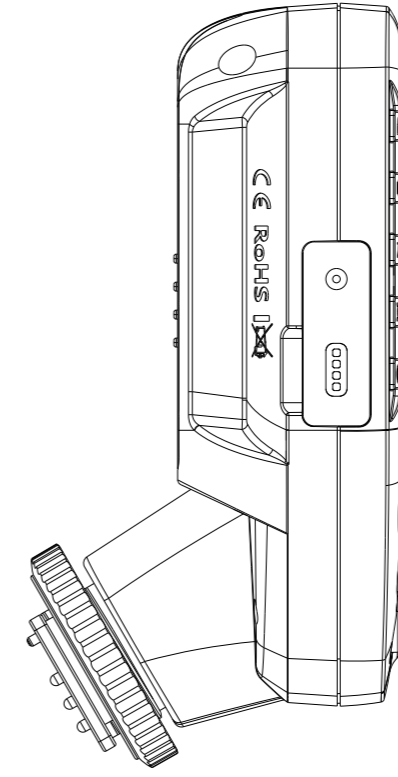
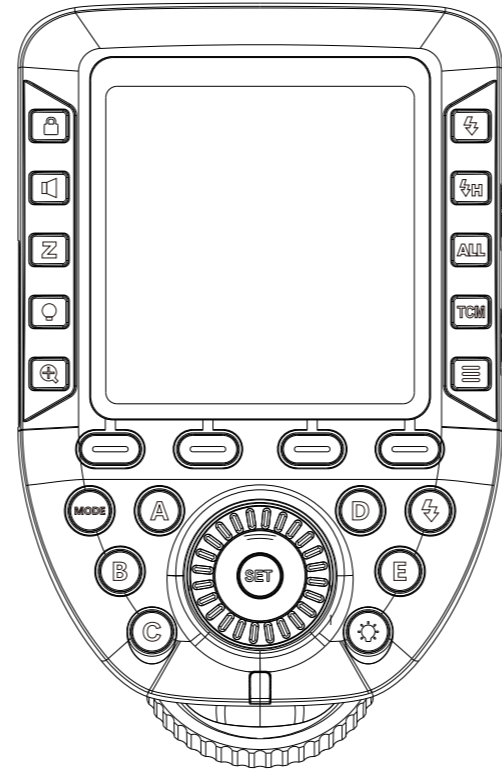
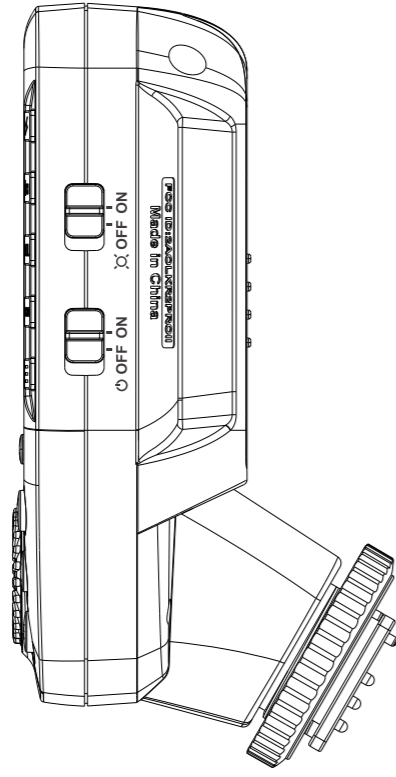
R2PROII®

R2PROII®

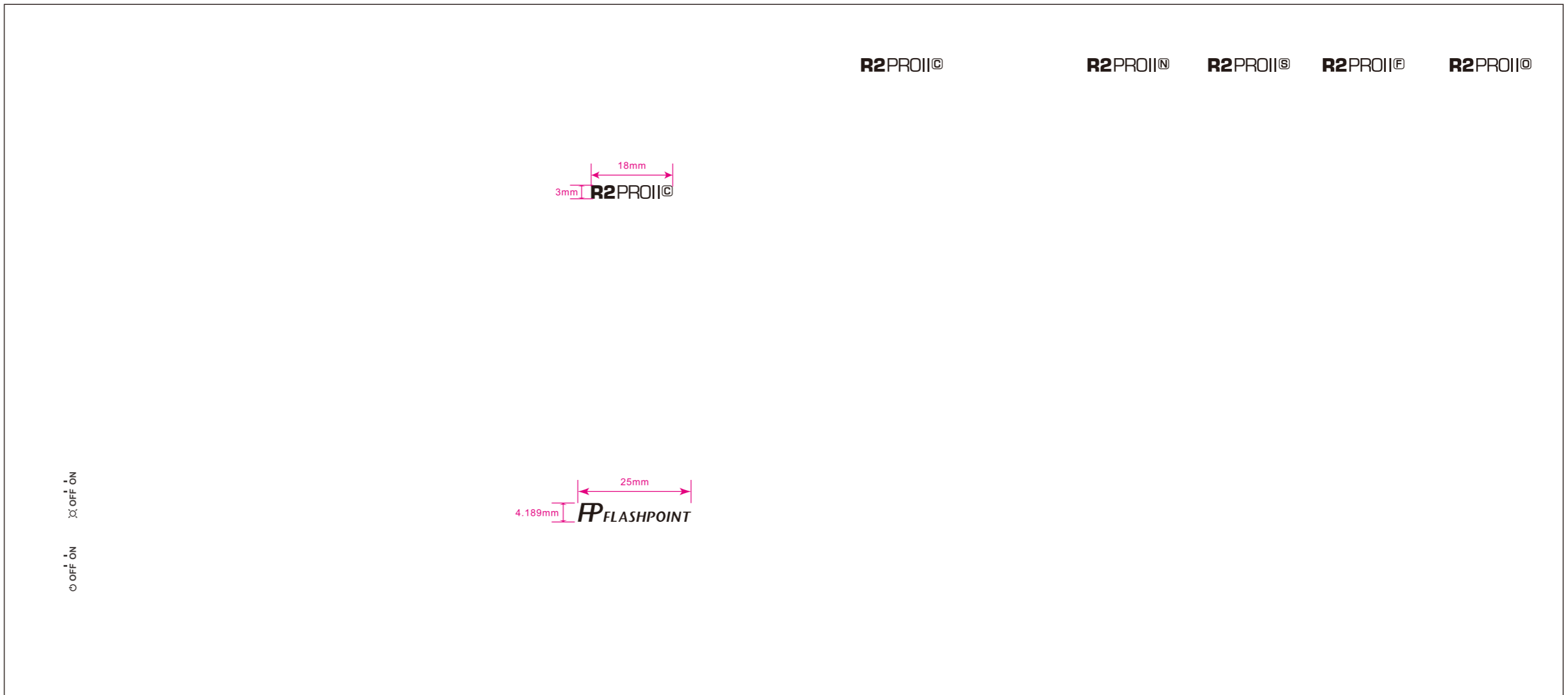
R2PROII®

R2PROII®

R2PROII®



名称：XPro丝印  
丝印内容：



丝印颜色：PANTONE 877C