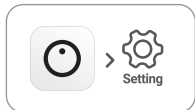


Pairing Your Olive Remote & Olive Device

※ Important: Please read before use!

- Before pairing the remote control to your Olive device, wear both left and right earbuds in your ears.



For iPhone users, go to **My Olive app > Settings > Connect Remote** to disconnect the device.



Slide the **1 Lock/Unlock Switch** at the bottom of the Olive Remote right to unlock.



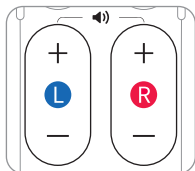
Press and hold the **2 Pairing Button** for 2 seconds. The Status LED should flash quickly and then turn solid.



If the **3 Status LED** stays solidly lit for more than 2 seconds, the Olive Remote and Olive device are successfully paired.



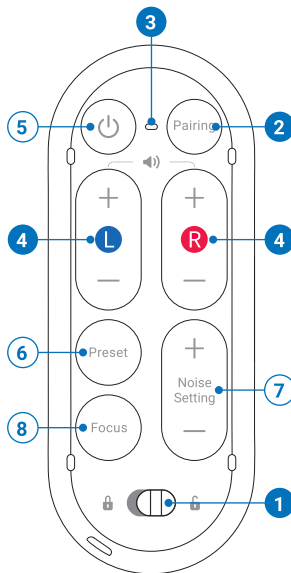
If the **3 Status LED** does not stay lit for longer than 2 seconds, please try again from **2 Pairing Button** step.



Test the pairing by wearing the earbuds and adjusting the sound with the **4 Volume Button** on the Olive Remote.

Olive Remote

EASY CONTROL ANYTIME, ANYWHERE



※ Compatible with all Olive Union devices.

[Contact]

Olive Union Customer Center

☎ . (+1) 702-848-4837

✉ . support_us@oliveunion.com

🛒 . us.oliveunion.com

How to Use the Olive Remote

1 Lock/Unlock Switch

Toggle the Lock/Unlock Switch to prevent accidental changes.

2 Pairing Button

Press the button for 2 seconds to connect or disconnect the Olive Remote from your Olive earbuds.

3 Status LED

■ Red color indicates low battery.
■ Blue color indicates pairing mode.

4 Volume Control Buttons

Adjust the left and right earbud volume, from 1 to 10.

5 Hear-Thru ON/OFF Button

Toggle the hearing amplification function of your Olive device.

6 Preset Button

Cycle through the different preset Hearing Modes.

Voice Prompt Change

Each time you press the Preset button for 2 seconds, the voice prompt of earbud changes in the order of English > Japanese > Korean.

7 Noise Setting Button

Adjust the strength of ambient noise control, from level 0 to 3. Level 3 will reduce ambient noise at the strongest level.

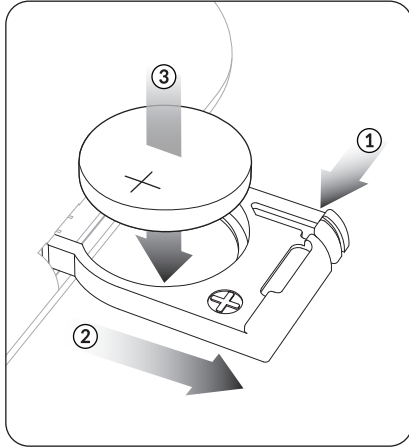
8 Focus Button

Change the directionality and focus of the Olive device's microphones to surround or front.

Earbud Touch Control ON/OFF

Press the Focus Button for 2 seconds to activate or deactivate the Olive device's touch functions.

Changing Batteries



1. The battery slot is located on the left side of the Olive Remote.
2. Turn the Olive Remote upside down and pull the Battery slot out.
3. Remove the old battery. Insert the new battery with the '+' facing upwards to you, according to the mark displayed on the battery slot.

* Compatible Battery - CR2032 3V

Product Specifications

Frequency range	2.4 GHz ~ 2.484 GHz
Direction / Range	360°, 5m
Power	CR2032 3V
Operating temperature range	0 ~ 40 °C

Precautions / Health & Safety

Before using the Olive Remote, users should familiarize themselves with the following general precautions for safe and accurate use. If you experience unexpected behavior or problems with the product, contact Olive Customer Support.

Risk of Suffocation/Choking Hazard

- The Olive Remote should not be in the hands of children or those who may accidentally swallow the device.

High Heat and Chemicals

- The remote should not be exposed to excessive heat (e.g. leaving directly under the sun).
- Do not use a microwave oven or oven to attempt to dry the Olive Remote.
- Chemicals such as cosmetics, hair sprays, perfumes, shaving creams, suntan lotion, and insect repellents can damage the Olive Remote.

Use During Transportation

- Usage of the Olive Remote during operation of any vehicle or transportation advice is not advised. Using the Olive Remote while driving can be distracting and full attention should be given to one's surroundings. Refer to the National Transportation Act on the use of communications devices in traffic situations."

Battery Warning

- This product uses a button/coin battery. Do not swallow the battery. Swallowing can result in suffocation and severe chemical burns that burn through internal tissue. Serious injury and/or death can occur in less than 2 hours.
- Do not allow children near button/coin batteries. Keep the battery slot securely closed.
- If you suspect someone has swallowed or placed the battery internally, seek medical attention immediately.

This device complies with part 15 of the FCC Rules. Operation is subject to the following two conditions:

- (1) This device may not cause harmful interference
- (2) This device must accept any interference received, including interference that may cause undesired operation. Warning: Changes or modifications not expressly approved by the party responsible is prohibited.

Olive Remote
EASY CONTROL ANYTIME, ANYWHERE