

FCC CFR47 PART 27 CERTIFICATION TEST REPORT FCC ID: 2AOKUCYBER7

Product: Mobile Phone

Trade Mark: HOTWAV

Model Number: Cyber 7

Family Model: N/A

Report No.: S21062900105008

Prepared for

Shenzhen Tugao Intelligent Co., Ltd.

8th Floor, Bldg A, Jinggang Science&Technology Park, Fuyong, Bao'an District, Shenzhen,
China

Prepared by

Shenzhen NTEK Testing Technology Co., Ltd.

1/F, Building E, Fenda Science Park, Sanwei Community, Xixiang Street
Bao'an District, Shenzhen 518126 P.R. China

Tel. 400-800-6106, 0755-2320 0050, 0755-2320 0090

Website: <http://www.ntek.org.cn>

TEST RESULT CERTIFICATION

Applicant's name.....: Shenzhen Tugao Intelligent Co., Ltd.
Address.....: 8th Floor, Bldg A, Jinggang Science&Technology Park, Fuyong, Bao'an District, Shenzhen, China
Manufacturer's Name.....: Shenzhen Tugao Intelligent Co., Ltd.
Address.....: 8th Floor, Bldg A, Jinggang Science&Technology Park, Fuyong, Bao'an District, Shenzhen, China
Product name.....: Mobile Phone
Model and/or type reference.....: Cyber 7
Family Model: N/A
Standards.....: FCC CFR 47 Part 27
Test procedure.....: ANSI C63.46:2015
ANSI/TIA-603-E-2016

This device described above has been tested by NTEK, and the test results show that the equipment under test (EUT) is in compliance with the FCC requirements. And it is applicable only to the tested sample identified in the report.

This report shall not be reproduced except in full, without the written approval of NTEK, this document may be altered or revised by NTEK, personal only, and shall be noted in the revision of the document.

Date of Test
Date (s) of performance of tests Jun 29, 2021 ~Sep 09, 2021
Date of Issue Sep 09, 2021
Test Result..... Pass

Testing Engineer : [Signature]
(Mary Hu)
Authorized Signatory : [Signature]
(Alex Li)

TABLE OF CONTENTS

1. GENERAL INFORMATION	5
1.1 PRODUCT DESCRIPTION	5
1.2 RELATED SUBMITTAL(S) / GRANT (S).....	6
1.3 TEST METHODOLOGY.....	6
1.4 TEST FACILITY.....	6
1.5 MEASUREMENT UNCERTAINTY	6
1.6 SPECIAL ACCESSORIES.....	6
1.7 WORST-CASE CONFIGURATION AND MODE.....	6
1.8 SUMMARY OF TEST RESULTS	7
2. SYSTEM TEST CONFIGURATION	8
2.1 EUT CONFIGURATION.....	8
2.2 EUT EXERCISE	8
2.3 CONFIGURATION OF EUT SYSTEM.....	8
2.4 TEST SETUP	9
3.TEST AND MEASUREMENT EQUIPMENT	10
4. OUTPUT POWER.....	12
4.1 OUTPUT POWER MEASUREMENT	12
5. OCCUPIED BANDWIDTH.....	13
6. BANEDGE AND EMISSION MASK	14
7. OUT OF BAND EMISSIONS.....	15
8. RADIATED MEASUREMENT	17
8.1. RADIATED POWER (ERP & EIRP).....	17
8.2 NR BAND 41.....	18
9. SPURIOUS RADIATION EMISSION	22
9.1 NR BAND 41.....	24

10. FREQUENCY STABILITY	28
10.1 NR BAND 41.....	29
11. PEAK-TO-AVERAGE RATIO	31
11.1 Description of the PAR Measurement.....	31
11.2 Measuring Instruments	31
11.3 Test Procedures.....	31
11.4 Test Setup.....	31
11.5 MODES TESTED	31

1. GENERAL INFORMATION

1.1 PRODUCT DESCRIPTION

A major technical description of EUT is described as following:

Product Designation:	Mobile Phone
Trade Mark	HOTWAV
Model Name	Cyber 7
Family Model	N/A
Model Difference	N/A
FCC ID:	2AOKUCYBER7
Frequency Bands:	U.S. Bands: <input checked="" type="checkbox"/> NR TDD Band 41
Frequency Range:	NR TDD Band 41 Uplink/Downlink: 2496 MHz - 2690 MHz
Type of Modulation:	DFT-s-OFDM: PI/2 BPSK/QPSK/16-QAM/64QAM/256QAM CP-OFDM: QPSK/16-QAM/64QAM/256QAM
Subcarrier spacing	<input checked="" type="checkbox"/> 15KHz, <input checked="" type="checkbox"/> 30KHz, <input type="checkbox"/> 60KHz
NR architecture	<input checked="" type="checkbox"/> SA, <input type="checkbox"/> NSA
Antenna:	PIFA Antenna
Antenna gain:	Band 41: 0.8dBi,
Power Supply:	DC 3.85V, 8280mAh, 31.878Wh from battery or DC 5V from Adapter.
Adapter:	Model: HJ-FC001K7-US Input: AC 100-240V~50/60Hz 0.6A Output: DC 5.0V---3.0A OR 9.0V---2.0A OR 12.0V---1.5A 18.0W
Extreme Vol. Limits:	DC 3.4V to DC 4.4V (Nominal DC 3.85V) (Note 1)
HW Version	TF919_MB_V1.1
SW Version	HOTWAV_Cyber 7_V8.0_20210910
** Note1: The High Voltage 4.4V and Low Voltage 3.4V was declared by manufacturer, The EUT couldn't be operate normally with higher or lower voltage.	

1.2 RELATED SUBMITTAL(S) / GRANT (S)

This submittal(s) (test report) is intended for **FCC ID: 2AOKUCYBER7** filing to comply with the FCC Part 27.

1.3 TEST METHODOLOGY

The tests documented in this report were performed in accordance with ANSI/TIA-603-E-2016, FCC CFR 47 Part 2, Part 27, ANSI C63.46:2015.

1.4 TEST FACILITY

The test site used to collect the radiated data is located at:

ShenZhen NTEK Testing Technology Co., Ltd.

1/F, Building E, Fenda Science Park, Sanwei Community, Xixiang Street, Bao'an District, Shenzhen 518126 P.R.China.

The test site is constructed and calibrated to meet the FCC requirements in documents ANSI C63.46:2015& ANSI C63.4: 2014.

FCC Registration No.:463705

IC Registration No.:9270A-1,

CNAS Registration No.:L5516

1.5 MEASUREMENT UNCERTAINTY

The reported uncertainty of measurement, where expended uncertainty U is based on a standard uncertainty multiplied by a coverage factor of k=2, providing a level of confidence of approximately 95 %.

No.	Item	Uncertainty
1	Measuring Uncertainty for a Level of Confidence of 95% ($U = 2U_c(y)$)	2.5dB

1.6 SPECIAL ACCESSORIES

The battery and the charger, earphone supplied by the applicant were used as accessories and being tested with EUT intended for FCC grant together.

1.7 WORST-CASE CONFIGURATION AND MODE

The worst-case scenario for all measurements is based on the investigation results.

The device has NR Bands of: Band 41.

The RB Size was selected to measure for peak or average ERP and EIRP, which was based on the conducted power verification baseline data.

For the fundamental investigation of radiated emissions, the EUT is investigated for vertical and horizontal antenna orientations and X Y and Z orientations of the EUT alone. After the investigations the worst case was determined to be at X orientation for all LTE bands.

1.8 SUMMARY OF TEST RESULTS

FCC Part27, Subpart L, KDB 971168 D01 Power Meas License Digital Systems v03			
FCC Rule	Test Item	Verdict	Remark
2.1046	Conducted Output Power	PASS	
27.50(d)(5) KDB 971168 D01 Clause 5.7	Peak-to-Average Ratio	PASS	
2.1049 KDB 971168 D01 Clause 4.2	Occupied Bandwidth	PASS	
2.1051 27.53(m) KDB 971168 D01 Clause 6	Band Edge	PASS	
27.50(h)(2) KDB 971168 D01 Clause 5.6	Equivalent Isotropic Radiated Power	PASS	
2.1053 27.53 (m) KDB 971168 D01 Clause 7	Field Strength of Spurious Radiation	PASS	
2.1055 27.54 KDB 971168 D01 Clause 9	Frequency Stability for Temperature & Voltage	PASS	
2.1051 27.53 (m) KDB 971168 D01 Clause 6	Conducted Emission	PASS	
<p>Remark:</p> <ol style="list-style-type: none"> 1. "N/A" denotes test is not applicable in this Test Report. 2. All test items were verified and recorded according to the standards and without any deviation during the test. 3. No modifications are made to the EUT during all test items. 			

2. SYSTEM TEST CONFIGURATION

2.1 EUT CONFIGURATION

The EUT configuration for testing is installed on RF field strength measurement to meet the Commission's requirement and operating in a manner which intends to maximize its emission characteristics in a continuous normal application.

2.2 EUT EXERCISE

The Transmitter was operated in the maximum output power mode through Communication Tester. The TX frequency was fixed which was for the purpose of the measurements.

2.3 CONFIGURATION OF EUT SYSTEM

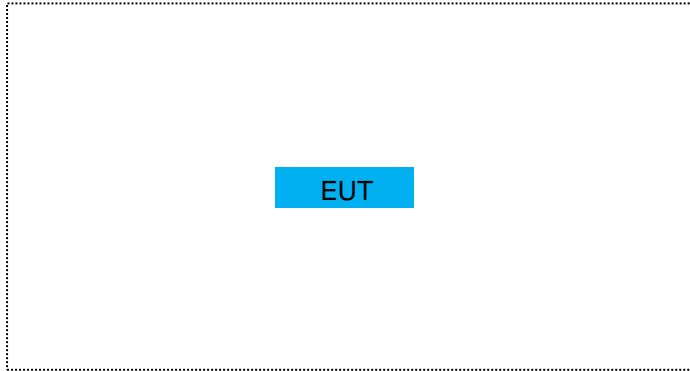
Table 2-1 Equipment Used in EUT System

Item	Equipment	Model No.	ID or Specification	Note
1	Mobile Phone	Cyber 7	FCC ID: 2AOKUCYBER7	EUT

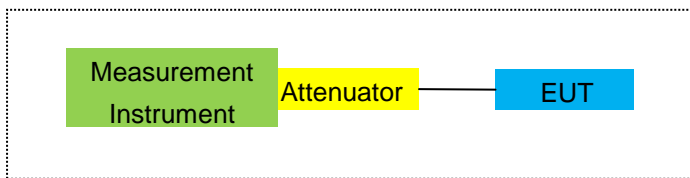
*Note: All the accessories have been used during the test.
the following "EUT" in setup diagram means EUT system.*

2.4 TEST SETUP

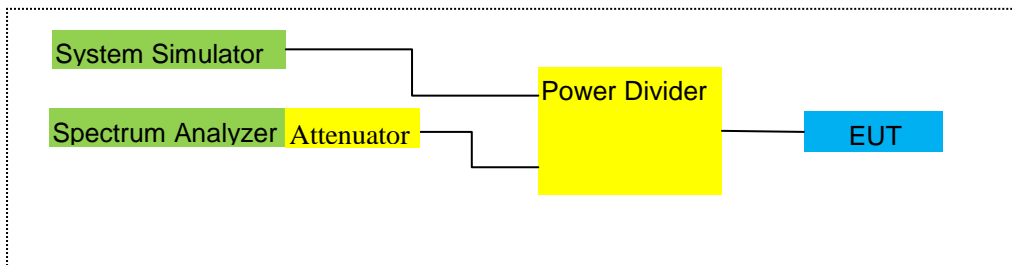
For Radiated Test Cases



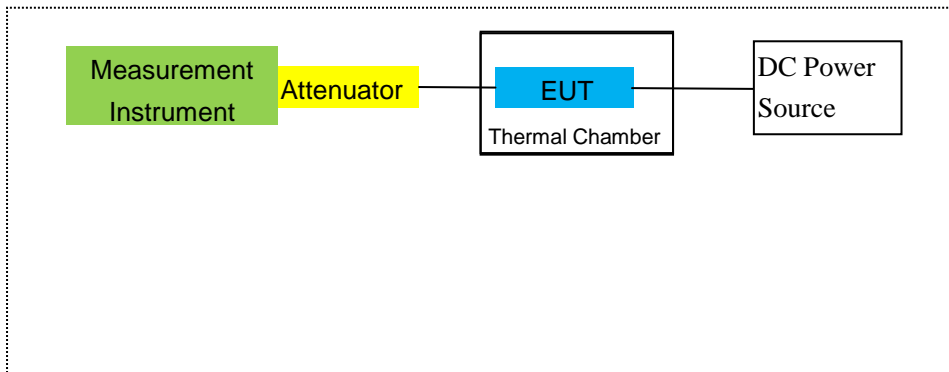
For Conducted Output Power



For Peak-to Average Ratio, Occupied Bandwidth, Conducted Band edge and Conducted Spurious Emission



For Frequency Stability



Note: EUT built-in battery-powered, the battery is fully-charged.

3. TEST AND MEASUREMENT EQUIPMENT

The following test and measurement equipment was utilized for the tests documented in this report:

Item	Kind of Equipment	Manufacturer	Type No.	Serial No.	Last calibration	Calibrated until	Calibration period
1	MXA Signal Analyzer	Agilent	N9020A	MY49100060	2021.07.01	2022.06.30	1 year
2	Test Receiver	R&S	ESPI	101318	2021.04.27	2022.04.26	1 year
3	Bilog Antenna	TESEQ	CBL6111D	31216	2021.03.29	2022.03.28	1 year
4	50Ω Coaxial Switch	Anritsu	MP59B	6200983705	2020.05.11	2023.05.10	3 year
5	Horn Antenna	EM	EM-AH-1018 0	2011071402	2021.03.29	2022.03.28	1 year
6	Horn Ant	Schwarzbeck	BBHA 9170	9170-181	2021.07.01	2022.06.30	1 year
7	Amplifier	EM	EM-30180	060538	2021.07.01	2022.06.30	1 year
8	Loop Antenna	ARA	PLA-1030/B	1029	2021.04.27	2022.04.26	1 year
9	Power Meter	R&S	NRVS	100696	2021.07.01	2022.06.30	1 year
10	Power Sensor	R&S	URV5-Z4	0395.1619.0 5	2021.04.27	2022.04.26	1 year
11	Test Cable	N/A	R-01	N/A	2019.08.06	2022.08.05	3 year
12	Test Cable	N/A	R-02	N/A	2019.08.06	2022.08.05	3 year
13	Test Cable	N/A	R-03	N/A	2019.06.28	2022.06.27	3 year
14	Test Receiver	R&S	ESCI	101160	2021.04.27	2022.04.26	1 year
15	LISN	R&S	ENV216	101313	2021.04.27	2022.04.26	1 year
16	LISN	EMCO	3816/2	00042990	2021.04.27	2022.04.26	1 year
17	50Ω Coaxial Switch	Anritsu	MP59B	6200264417	2021.04.27	2022.04.26	1 year
18	Passive Voltage Probe	R&S	ESH2-Z3	100196	2021.04.27	2022.04.26	1 year
19	Test Cable	N/A	C01	N/A	2020.05.11	2023.05.10	3 year
20	Test Cable	N/A	C02	N/A	2020.05.11	2023.05.10	3 year
21	Test Cable	N/A	C03	N/A	2020.05.11	2023.05.10	3 year
22	Attenuator	MCE	24-10-34	BN9258	2021.04.27	2022.04.26	1 year
23	Spectrum Analyzer	agilent	e4440a	us44300399	2021.04.27	2022.04.26	1 year
24	test receiver	R&S	ESCI	a0304218	2021.04.27	2022.04.26	1 year
25	Communication Tester	R&S	CMU200	A0304247	2021.07.01	2022.06.30	1 year
26	Thermal Chamber	Ten Billion	TTC-B3C	TBN-960502	2021.04.27	2022.04.26	1 year

27	DC Power Source	N/A	PS-6005D	2017040292 3	2020.05.11	2023.05.10	3 year
28	PSG Analog Signal Generator	Agilent	E8257D	MY51110112	2021.07.01	2022.06.30	1 year
29	Communication Tester	R&S	CMW500	148500	2021.07.01	2022.06.30	1 year
30	Radio Communication Analyzer	Anritsu	MT8821C	SN 6262186364	2020.10.13	2021.10.12	1 year
31	Radio Communication Test Station	Anritsu	MT8000A	SN 6262192315	2020.10.13	2021.10.12	1 year

Note: Each piece of equipment is scheduled for calibration once a year except the Test Cable& DC Power Source which is scheduled for calibration every 3 years.

4. OUTPUT POWER

4.1 OUTPUT POWER MEASUREMENT

NR Measurement Procedure:

All NR bands conducted power peak and average are obtained from the MT8821C telecommunication test set. The following tests were conducted according to the test requirements outlined in section 6.2 of the 3GPP TS 38.521-1 specification.

UE Power Class: 3 (23 +/- 2dBm). The allowed Maximum Power Reduction (MPR) for the maximum output power due to higher order modulation and transmit bandwidth configuration (resource blocks) is specified in Table Table 6.2.2.3-1: of the 3GPP TS 38.521-1 (V15.3.0) (07-2019).

Table 6.2.2.3-1: UE Power Class

EUTRA band	Class 1 (dBm)	Tolerance (dB)	Class 2 (dBm)	Tolerance (dB)	Class 3 (dBm)	Tolerance (dB)	Class 4 (dBm)	Tolerance (dB)
1					23	±2		
2					23	±2 ²		
3					23	±2 ²		
4					23	±2		
5					23	±2		
~					~	~		
40					23	±2		
41					23	±2 ²		
42					23	+2/-3		
43					23	+2/-3		
44					23	+2/[-3]		
45					23	±2		
47			26	±2	23	±2		

The allowed A-MPR values specified below in Table 6.2.4.-1 of 3GPP TS 38.521-1 are in addition to the allowed MPR requirements. All the measurements below were performed with A-MPR disabled, by using Network Signaling Value of "NS_01".3

Test data reference attachment.

5. OCCUPIED BANDWIDTH

RULE PART(S)

FCC: §2.1049

LIMITS

For reporting purposes only

TEST PROCEDURE

The transmitter output was connected to a calibrated coaxial cable and coupler, the other end of which was connected to a spectrum analyzer. The occupied bandwidth was measured with the spectrum analyzer at the low, middle and high channel in each band. The -26dB bandwidth was also measured and recorded.

MODES TESTED

NR Band 41

RESULTS

PASS

Test data reference attachment.

6. BANDEDGE AND EMISSION MASK

RULE PART(S)

FCC: §2.1051, §27.53m)

FCC: §2.1046,

LIMITS

The minimum permissible attenuation level of any spurious emission is $43 + \log_{10}(P[\text{Watts}])$, where P is the transmitter power in Watts.

The minimum permissible attenuation level for Band 7 is as following.

Per 27.53(g) for operations in the 698-746 MHz band, in the 100 kHz bands immediately outside and adjacent to the frequency block a resolution bandwidth of at least 30 kHz may be employed to demonstrate compliance with the out-of-band emissions limit.

Per 27.53(c.5) for operations in the 776-788 MHz band, in the 100 kHz bands immediately outside and adjacent to the frequency block a resolution bandwidth of at least 30 kHz may be employed to demonstrate compliance with the out-of-band emissions limit.

For all plots showing emissions in the 763 – 775MHz and 793 – 805MHz band, the FCC limit per 27.53(c.4) is $65 + 10\log_{10}(P) = -35\text{dBm}$ in a 6.25kHz bandwidth.

Per 27.53(m) for operations in the BRS/EBS bands, the attenuation factor shall be not less than $40 + 10 \log (P)$ dB on all frequencies between the channel edge and 5 megahertz from the channel edge, $43 + 10 \log (P)$ dB on all frequencies between 5 megahertz and X megahertz from the channel edge, and $55 + 10 \log (P)$ dB on all frequencies more than X megahertz from the channel edge, where X is the greater of 6 megahertz or the actual emission bandwidth.

TEST PROCEDURE

The transmitter output was connected to a CMW500Test Set and configured to operate at maximum power. The band edge emissions were measured at the required operating frequencies in each band on the Spectrum Analyzer.

For each band edge measurement:

Set the spectrum analyzer span to include the block edge frequency

Set a marker to point the corresponding band edge frequency in each test case.

Set display line

Set resolution bandwidth to at least 1% of emission bandwidth.

MODES TESTED

□

NR Band 41

RESULTS

Test data reference attachment.

Note: Both DFT-s-OFDM:PI/2 BPSK/QPSK/16-QAM/64QAM/256QAM

CP-OFDM: QPSK/16-QAM/64QAM/256QAM has been tested, the worst case is CP_QPSK mode, the report just reported the worst case.

7. OUT OF BAND EMISSIONS

RULE PART(S)

FCC: §2.1051, §27.53 (m)

LIMITS

The minimum permissible attenuation level of any spurious emission is $43 + \log_{10}(P[\text{Watts}])$, where P is the transmitter power in Watts.

The minimum permissible attenuation level for Band 7 is as following.

Per 27.53(g) for operations in the 698-746 MHz band, in the 100 kHz bands immediately outside and adjacent to the frequency block a resolution bandwidth of at least 30 kHz may be employed to demonstrate compliance with the out-of-band emissions limit.

Per 27.53(c.5) for operations in the 776-788 MHz band, in the 100 kHz bands immediately outside and adjacent to the frequency block a resolution bandwidth of at least 30 kHz may be employed to demonstrate compliance with the out-of-band emissions limit.

For all plots showing emissions in the 763 – 775MHz and 793 – 805MHz band, the FCC limit per 27.53(c.4) is $65 + 10\log_{10}(P) = -35\text{dBm}$ in a 6.25kHz bandwidth.

Per 27.53(m) for operations in the BRS/EBS bands, the attenuation factor shall be not less than $40 + 10 \log (P)$ dB on all frequencies between the channel edge and 5 megahertz from the channel edge, $43 + 10 \log (P)$ dB on all frequencies between 5 megahertz and X megahertz from the channel edge, and $55 + 10 \log (P)$ dB on all frequencies more than X megahertz from the channel edge, where X is the greater of 6 megahertz or the actual emission bandwidth.

TEST PROCEDURE

The RF output of the transmitter was connected to a spectrum analyzer through a calibrated coaxial cable. Sufficient scans were taken to show the out-of-band Emissions, if any, up to 10th harmonic. Multiple sweeps were recorded in maximum hold mode using a peak detector to ensure that the worst-case emissions were caught.

For each out of band emissions measurement:

- Set display line
- Set RBW & VBW to 100 kHz for the measurement below 1 GHz, and 1 MHz for the measurement above 1 GHz.

MODES TESTED

- NR Band 41

MEASUREMENT METHOD

The test set up and general procedure is similar to conducted peak output power test. Only different for setting the measurement configuration of the measuring instrument of Spectrum Analyzer.

Test data reference attachment.

Note: Both DFT-s-OFDM:PI/2 BPSK/QPSK/16-QAM/64QAM/256QAM

CP-OFDM: QPSK/16-QAM/64QAM/256QAM has been tested, the worst case is CP_QPSK mode, the report just reported the worst case.

8. RADIATED MEASUREMENT

8.1. RADIATED POWER (EIRP)

RULE PART(S)

FCC: §2.1046, §27.50 (h)(2),

LIMITS:

27.50 (c) (10) the following power and antenna height requirements apply to stations transmitting in the 698–746 MHz band, the portable stations (hand-held devices) are limited to 3 watts ERP.

27.50 (b)(10) Portable stations (hand-held devices) transmitting in the 746–757 MHz, 758–763 MHz, 776–793 MHz, and 805–806 MHz bands are limited to 3 watts ERP.

27.50 (d)(4) The following power and antenna height requirements apply to stations transmitting in the 1710–1755 MHz and 2110–2155 MHz bands: Fixed, mobile, and portable (hand-held) stations operating in the 1710–1755 MHz band are limited to 1 watt EIRP.

27.50 (h)(2) Mobile and other user stations in the 2500–2570 MHz and 2620–2690 MHz bands. Mobile stations are limited to 2.0 watts EIRP. All user stations are limited to 2.0 watts transmitter output power.

TEST PROCEDURE

ANSI/TIA-603-E Clause 2.2.17

KDB 971168 v02r01 RF power output using broadband peak and average power meter method.

KDB 971168 D01 Power Meas License Digital Systems v02r01, “Measurement Guidance for Certification of Licensed Digital Transmitters”

MODES TESTED

NR Band 41

RESULTS

Pass

8.2 NR BAND 41

Radiated Power (EIRP) for Band 41 /SCS (30kHz)									
Mode	RB/ RB Position	Frequency	Result						Conclusion
			SG Level (dBm)	Cable Loss (dBm)	Factor Gain (dB)	Max. EIRP Average (dBm)	Max. EIRP Average (mW)	Polarization Of Max. ERP	
10.0MHz DFT_QPSK	1@1	2501.01	-1.06	4.54	27.75	22.15	164.06	Horizontal	Pass
		2592.99	-0.84	4.69	27.72	22.19	165.52	Horizontal	Pass
		2685	-0.29	4.71	27.71	22.71	186.69	Horizontal	Pass
15.0MHz DFT_QPSK	1@1	2503.5	-0.81	4.55	27.76	22.40	173.62	Horizontal	Pass
		2592.99	0.51	4.69	27.72	23.54	225.82	Horizontal	Pass
		2682.48	-0.02	4.72	27.7	22.96	197.58	Horizontal	Pass
20.0MHz DFT_QPSK	1@1	2506.02	-1.02	4.55	27.77	22.20	165.91	Horizontal	Pass
		2592.99	-0.44	4.69	27.72	22.59	181.62	Horizontal	Pass
		2679.99	0.36	4.72	27.69	23.33	215.08	Horizontal	Pass
40.0MHz DFT_QPSK	1@1	2516.01	-0.61	4.57	27.78	22.60	181.93	Horizontal	Pass
		2592.99	-0.06	4.73	27.72	22.93	196.50	Horizontal	Pass
		2670	0.41	4.75	27.68	23.34	215.83	Horizontal	Pass
50.0MHz DFT_QPSK	1@1	2521.02	-0.83	4.54	27.75	22.38	172.94	Horizontal	Pass
		2592.99	-0.27	4.69	27.72	22.76	188.85	Horizontal	Pass
		2664.99	-0.05	4.71	27.71	22.95	197.25	Horizontal	Pass
60.0MHz DFT_QPSK	1@1	2526	-0.76	4.55	27.76	22.45	175.64	Horizontal	Pass
		2592.99	-0.73	4.69	27.72	22.30	169.68	Horizontal	Pass
		2659.98	-0.46	4.72	27.7	22.52	178.83	Horizontal	Pass
80.0MHz DFT_QPSK	1@1	2536.02	0.54	4.55	27.77	23.76	237.88	Horizontal	Pass
		2592.99	0.47	4.69	27.72	23.50	223.74	Horizontal	Pass
		2649.99	0.29	4.72	27.69	23.26	211.94	Horizontal	Pass
90.0MHz DFT_QPSK	1@1	2541	-0.65	4.57	27.78	22.56	180.10	Horizontal	Pass
		2592.99	0.26	4.73	27.72	23.25	211.43	Horizontal	Pass
		2644.98	0.60	4.75	27.68	23.53	225.33	Horizontal	Pass
100.0MHz DFT_QPSK	1@1	2546.01	0.66	4.57	27.78	23.87	243.70	Horizontal	Pass
		2592.99	1.21	4.73	27.72	24.20	262.79	Horizontal	Pass
		2640	0.53	4.75	27.68	23.46	221.74	Horizontal	Pass

Radiated Power (EIRP) for Band 41 /SCS (30kHz)									
Mode	RB/ RB Position	Frequency	Result						Conclusion
			SG Level (dBm)	Cable Loss (dBm)	Factor Gain (dB)	Max. EIRP Average (dBm)	Max. EIRP Average (mW)	Polarization Of Max. ERP	
10.0MHz DFT_QPSK	1@1	2501.01	-0.67	4.54	27.75	22.54	179.45	Vertical	Pass
		2592.99	-0.59	4.69	27.72	22.44	175.57	Vertical	Pass
		2685	-0.55	4.71	27.71	22.45	175.64	Vertical	Pass
15.0MHz DFT_QPSK	1@1	2503.5	-0.36	4.55	27.76	22.85	192.56	Vertical	Pass
		2592.99	-0.92	4.69	27.72	22.11	162.53	Vertical	Pass
		2682.48	-1.39	4.72	27.7	21.59	144.13	Vertical	Pass
20.0MHz DFT_QPSK	1@1	2506.02	-1.01	4.55	27.77	22.21	166.26	Vertical	Pass
		2592.99	-0.58	4.69	27.72	22.45	175.79	Vertical	Pass
		2679.99	-0.64	4.72	27.69	22.33	171.03	Vertical	Pass
40.0MHz DFT_QPSK	1@1	2516.01	-0.79	4.57	27.78	22.42	174.73	Vertical	Pass
		2592.99	-1.29	4.73	27.72	21.70	148.06	Vertical	Pass
		2670	-1.31	4.75	27.68	21.62	145.17	Vertical	Pass
50.0MHz DFT_QPSK	1@1	2521.02	-0.89	4.54	27.75	22.32	170.72	Vertical	Pass
		2592.99	-0.38	4.69	27.72	22.65	184.18	Vertical	Pass
		2664.99	-0.92	4.71	27.71	22.08	161.30	Vertical	Pass
60.0MHz DFT_QPSK	1@1	2526	-0.44	4.55	27.76	22.77	189.25	Vertical	Pass
		2592.99	-1.44	4.69	27.72	21.59	144.13	Vertical	Pass
		2659.98	-0.53	4.72	27.7	22.45	175.95	Vertical	Pass
80.0MHz DFT_QPSK	1@1	2536.02	-1.42	4.55	27.77	21.80	151.36	Vertical	Pass
		2592.99	-0.52	4.69	27.72	22.51	178.19	Vertical	Pass
		2649.99	0.02	4.72	27.69	22.99	199.26	Vertical	Pass
90.0MHz DFT_QPSK	1@1	2541	-1.01	4.57	27.78	22.20	166.08	Vertical	Pass
		2592.99	-0.44	4.73	27.72	22.55	179.77	Vertical	Pass
		2644.98	0.30	4.75	27.68	23.23	210.61	Vertical	Pass
100.0MHz DFT_QPSK	1@1	2546.01	-0.85	4.57	27.78	22.36	172.38	Vertical	Pass
		2592.99	0.66	4.73	27.72	23.65	231.74	Vertical	Pass
		2640	-0.25	4.75	27.68	22.68	185.15	Vertical	Pass

Radiated Power (EIRP) for Band 41 /SCS (30kHz)									
Mode	RB/ RB Position	Frequency	Result						Conclusion
			SG Level (dBm)	Cable Loss (dBm)	Factor Gain (dB)	Max. EIRP Average (dBm)	Max. EIRP Average (mW)	Polarization Of Max. ERP	
10.0MHz DFT_QAM16	1@1	2501.01	-1.44	4.54	27.75	21.77	150.314	Horizontal	Pass
		2592.99	-1.56	4.69	27.72	21.47	140.281	Horizontal	Pass
		2685	-1.02	4.71	27.71	21.98	157.761	Horizontal	Pass
15.0MHz DFT_QAM16	1@1	2503.5	-1.89	4.55	27.76	21.32	135.519	Horizontal	Pass
		2592.99	-1.26	4.69	27.72	21.77	150.314	Horizontal	Pass
		2682.48	-0.53	4.72	27.7	22.45	175.792	Horizontal	Pass
20.0MHz DFT_QAM16	1@1	2506.02	-0.93	4.55	27.77	22.29	169.434	Horizontal	Pass
		2592.99	-1.19	4.69	27.72	21.84	152.757	Horizontal	Pass
		2679.99	-1.08	4.72	27.69	21.89	154.525	Horizontal	Pass
40.0MHz DFT_QAM16	1@1	2516.01	-1.32	4.57	27.78	21.89	154.525	Horizontal	Pass
		2592.99	-1.88	4.73	27.72	21.11	129.122	Horizontal	Pass
		2670	-1.74	4.75	27.68	21.19	131.522	Horizontal	Pass
50.0MHz DFT_QAM16	1@1	2521.02	-1.64	4.54	27.75	21.57	143.549	Horizontal	Pass
		2592.99	-1.54	4.69	27.72	21.49	140.929	Horizontal	Pass
		2664.99	-1.76	4.71	27.71	21.24	133.045	Horizontal	Pass
60.0MHz DFT_QAM16	1@1	2526	-1.87	4.55	27.76	21.34	136.144	Horizontal	Pass
		2592.99	-1.69	4.69	27.72	21.34	136.144	Horizontal	Pass
		2659.98	-1.78	4.72	27.7	21.2	131.826	Horizontal	Pass
80.0MHz DFT_QAM16	1@1	2536.02	-1.71	4.55	27.77	21.51	141.579	Horizontal	Pass
		2592.99	-1.60	4.69	27.72	21.43	138.995	Horizontal	Pass
		2649.99	-1.39	4.72	27.69	21.58	143.880	Horizontal	Pass
90.0MHz DFT_QAM16	1@1	2541	-1.42	4.57	27.78	21.79	151.008	Horizontal	Pass
		2592.99	-1.94	4.73	27.72	21.05	127.350	Horizontal	Pass
		2644.98	-1.73	4.75	27.68	21.2	131.826	Horizontal	Pass
100.0MHz DFT_QAM16	1@1	2546.01	-1.34	4.57	27.78	21.87	153.815	Horizontal	Pass
		2592.99	-0.29	4.73	27.72	22.7	186.209	Horizontal	Pass
		2640	-0.99	4.75	27.68	21.94	156.315	Horizontal	Pass

Radiated Power (EIRP) for Band 41 /SCS (30kHz)									
Mode	RB/ RB Position	Frequency	Result						Conclusion
			SG Level (dBm)	Cable Loss (dBm)	Factor Gain (dB)	Max. EIRP Average (dBm)	Max. EIRP Average (mW)	Polarization Of Max. ERP	
10.0MHz DFT_QAM16	1@1	2501.01	-1.97	4.54	27.75	21.24	133.045	Vertical	Pass
		2592.99	-1.37	4.69	27.72	21.66	146.555	Vertical	Pass
		2685	-1.45	4.71	27.71	21.55	142.889	Vertical	Pass
15.0MHz DFT_QAM16	1@1	2503.5	-2.67	4.55	27.76	20.54	113.240	Vertical	Pass
		2592.99	-2.14	4.69	27.72	20.89	122.744	Vertical	Pass
		2682.48	-2.33	4.72	27.7	20.65	116.145	Vertical	Pass
20.0MHz DFT_QAM16	1@1	2506.02	-1.63	4.55	27.77	21.59	144.212	Vertical	Pass
		2592.99	-2.01	4.69	27.72	21.02	126.474	Vertical	Pass
		2679.99	-2.07	4.72	27.69	20.9	123.027	Vertical	Pass
40.0MHz DFT_QAM16	1@1	2516.01	-2.57	4.57	27.78	20.64	115.878	Vertical	Pass
		2592.99	-1.96	4.73	27.72	21.03	126.765	Vertical	Pass
		2670	-1.61	4.75	27.68	21.32	135.519	Vertical	Pass
50.0MHz DFT_QAM16	1@1	2521.02	-2.11	4.54	27.75	21.1	128.825	Vertical	Pass
		2592.99	-1.67	4.69	27.72	21.36	136.773	Vertical	Pass
		2664.99	-2.08	4.71	27.71	20.92	123.595	Vertical	Pass
60.0MHz DFT_QAM16	1@1	2526	-1.82	4.55	27.76	21.39	137.721	Vertical	Pass
		2592.99	-1.61	4.69	27.72	21.42	138.676	Vertical	Pass
		2659.98	-1.84	4.72	27.7	21.14	130.017	Vertical	Pass
80.0MHz DFT_QAM16	1@1	2536.02	-1.78	4.55	27.77	21.44	139.316	Vertical	Pass
		2592.99	-2.25	4.69	27.72	20.78	119.674	Vertical	Pass
		2649.99	-2.09	4.72	27.69	20.88	122.462	Vertical	Pass
90.0MHz DFT_QAM16	1@1	2541	-2.26	4.57	27.78	20.95	124.451	Vertical	Pass
		2592.99	-1.55	4.73	27.72	21.44	139.316	Vertical	Pass
		2644.98	-1.63	4.75	27.68	21.3	134.896	Vertical	Pass
100.0MHz DFT_QAM16	1@1	2546.01	-1.98	4.57	27.78	21.23	132.739	Vertical	Pass
		2592.99	-1.34	4.73	27.72	21.65	146.218	Vertical	Pass
		2640	-0.14	4.75	27.68	22.79	190.108	Vertical	Pass

Note:

SG Level= Signal generator output

Max. EIRP Average (dBm)= Factor Gain (dB)+ SG Level (dBm)- Cable Loss(dBm)

Factor Gain(dB)=Antenna Gain(dB) + Amplifier Factor (dB)

9. SPURIOUS RADIATION EMISSION

RULE PART(S)

FCC: §2.1051, §27.53(m)

LIMIT

For Band 7, the minimum permissible attenuation level of any spurious emission is $55 + \log_{10}(P)$ [Watts].

The minimum permissible attenuation level of any spurious emission is $43 + \log_{10}(P)$ [Watts], where P is the transmitter power in Watts.

TEST PROCEDURE

For Cellular equipment - Compliance with these rules is based on the use of measurement instrumentation employing a resolution bandwidth of 100 kHz or greater. In the 1 MHz bands immediately outside and adjacent to the frequency block a resolution bandwidth of at least one percent of the emission bandwidth of the fundamental emission of the transmitter may be employed. A narrower resolution bandwidth is permitted in all cases to improve measurement accuracy provided the measured power is integrated over the full required measurement bandwidth (i.e. 100 kHz or 1 percent of emission bandwidth, as specified). The emission bandwidth is defined as the width of the signal between two points, one below the carrier center frequency and one above the carrier center frequency, outside of which all emissions are attenuated at least 26 dB below the transmitter power.

For PCS equipment - Compliance with these rules is based on the use of measurement instrumentation employing a resolution bandwidth of 1 MHz or greater. However, in the 1 MHz bands immediately outside and adjacent to the frequency block a resolution bandwidth of at least one percent of the emission bandwidth of the fundamental emission of the transmitter may be employed. A narrower resolution bandwidth is permitted in all cases to improve measurement accuracy provided the measured power is integrated over the full required measurement bandwidth (i.e. 1 MHz or 1 percent of emission bandwidth, as specified). The emission bandwidth is defined as the width of the signal between two points, one below the carrier center frequency and one above the carrier center frequency, outside of which all emissions are attenuated at least 26 dB below the transmitter power.

The unwanted emission power shall be measured with a resolution bandwidth of at least 1% of the occupied bandwidth in the 1 MHz band immediately outside and adjacent to the channel edge of the equipment. Beyond the 1 MHz band immediately outside the channel edge of the equipment, a resolution bandwidth of 1 MHz shall be employed. A narrower resolution bandwidth is allowed to be used provided that the measured power is integrated over the full required measurement bandwidth of 1 MHz or 1% of the occupied bandwidth as applicable.

The power of any unwanted emissions measured from the channel edge of the equipment shall be attenuated below the transmitter power, P (dBW), as follows:

- a. for base station and subscriber equipment, other than mobile subscriber equipment, the attenuation shall not be less than $43 + 10 \text{ Log}_{10} (p)$, dB; and
- b. for mobile subscriber equipment, the attenuation shall not be less than $43 + 10 \text{ Log}_{10} (p)$, dB at the channel edges and $55 + 10 \text{ Log}_{10} (p)$ at 5.5 MHz away and beyond the channel edges where p in (a) and (b) is the transmitter power measured in watts.

MODES TESTED

NR Band 41

RESULTS

PASS

9.1 NR BAND 41

QPSK EIRP POWER FOR NR BAND 41 (10.0MHZ BANDWIDTH/ SCS (30kHz))

Test Results for Low Channel 2501.01MHz							
Frequency(MHz)	SG Level(dBm)	Cable Loss(dB)	Antenna Gain(dB)	Absolute Level(dBm)	Limit (dBm)	Margin(dBm)	Polarity
5002.02	-59.69	2.63	27.3	-35.02	-25	-10.02	Horizontal
5002.02	-64.48	2.63	27.3	-39.81	-25	-14.81	Vertical
7503.3	-62.44	3.38	28.51	-37.31	-25	-12.31	Vertical
7503.3	-63.13	3.38	28.51	-38.00	-25	-13.00	Horizontal
182.2	-46.08	1.73	17.97	-29.84	-25	-4.84	Vertical
284.5	-49.63	1.38	15.11	-35.90	-25	-10.90	Horizontal
Test Results for Mid Channel 2592.99MHz							
5185.98	-64.54	2.65	27.32	-39.87	-25	-14.87	Horizontal
5185.98	-59.99	2.65	27.32	-35.32	-25	-10.32	Vertical
7778.97	-63.69	4.14	28.51	-39.32	-25	-14.32	Vertical
7778.97	-63.16	4.14	28.51	-38.79	-25	-13.79	Horizontal
180.9	-49.20	1.77	16.17	-34.80	-25	-9.80	Vertical
405.1	-44.45	1.63	15.21	-30.87	-25	-5.87	Horizontal
Test Results for High Channel 2685MHz							
5370	-58.20	2.65	27.32	-33.53	-25	-8.53	Horizontal
5370	-62.78	2.65	27.32	-38.11	-25	-13.11	Vertical
8055	-63.73	5.23	28.89	-40.07	-25	-15.07	Vertical
8055	-60.69	5.23	28.89	-37.03	-25	-12.03	Horizontal
196.2	-46.15	1.58	17.56	-30.17	-25	-5.17	Vertical
380.4	-46.97	1.45	16.58	-31.84	-25	-6.84	Horizontal

QPSK EIRP POWER FOR NR BAND 41 (100.0MHZ BANDWIDTH/ SCS (30kHz))

Test Results for Low Channel 2546.01MHz							
Frequency(MHz)	SG Level(dBm)	Cable Loss(dB)	Antenna Gain(dB)	Absolute Level(dBm)	Limit (dBm)	Margin(dBm)	Polarity
5092.02	-62.96	2.63	27.3	-38.29	-25	-13.29	Horizontal
5092.02	-61.42	2.63	27.3	-36.75	-25	-11.75	Vertical
7638.03	-63.61	3.38	28.51	-38.48	-25	-13.48	Vertical
7638.03	-61.51	3.38	28.51	-36.38	-25	-11.38	Horizontal
181.2	-51.20	1.63	15.76	-37.07	-25	-12.07	Vertical
436.4	-54.35	1.71	15.44	-40.62	-25	-15.62	Horizontal
Test Results for Mid Channel 2592.99MHz							
5185.98	-61.81	2.65	27.32	-37.14	-25	-12.14	Horizontal
5185.98	-59.22	2.65	27.32	-34.55	-25	-9.55	Vertical
7778.97	-62.72	4.14	28.51	-38.35	-25	-13.35	Vertical
7778.97	-63.42	4.14	28.51	-39.05	-25	-14.05	Horizontal
198.9	-48.71	1.79	16.84	-33.66	-25	-8.66	Vertical
325.1	-50.93	1.71	17.64	-35.00	-25	-10.00	Horizontal
Test Results for High Channel 2640MHz							
5280	-59.23	2.65	27.32	-34.56	-25	-9.56	Horizontal
5280	-60.11	2.65	27.32	-35.44	-25	-10.44	Vertical
7920	-63.84	5.23	28.89	-40.18	-25	-15.18	Vertical
7920	-61.91	5.23	28.89	-38.25	-25	-13.25	Horizontal
189.5	-52.71	1.79	16.84	-37.66	-25	-12.66	Vertical
253.1	-45.67	1.71	17.64	-29.74	-25	-4.74	Horizontal

16QAM EIRP POWER FOR NR BAND 41 (10.0MHZ BANDWIDTH/ SCS (30kHz))

Test Results for Low Channel 2502.5MHz							
Frequency(MHz)	SG Level(dBm)	Cable Loss(dB)	Antenna Gain(dB)	Absolute Level(dBm)	Limit (dBm)	Margin(dBm)	Polarity
5002.02	-62.39	2.63	27.3	-37.72	-25	-12.72	Horizontal
5002.02	-60.21	2.63	27.3	-35.54	-25	-10.54	Vertical
7503.3	-62.35	3.38	28.51	-37.22	-25	-12.22	Vertical
7503.3	-59.76	3.38	28.51	-34.63	-25	-9.63	Horizontal
198.4	-46.24	1.73	17.97	-30.00	-25	-5.00	Vertical
425.3	-50.92	1.38	15.11	-37.19	-25	-12.19	Horizontal
Test Results for Mid Channel 2535MHz							
5185.98	-62.67	2.65	27.32	-38.00	-25	-13.00	Horizontal
5185.98	-63.10	2.65	27.32	-38.43	-25	-13.43	Vertical
7778.97	-63.57	4.14	28.51	-39.20	-25	-14.20	Vertical
7778.97	-58.69	4.14	28.51	-34.32	-25	-9.32	Horizontal
201	-45.60	1.77	16.17	-31.20	-25	-6.20	Vertical
433.9	-46.26	1.63	15.21	-32.68	-25	-7.68	Horizontal
Test Results for High Channel 2567.5MHz							
5370	-58.62	2.65	27.32	-33.95	-25	-8.95	Horizontal
5370	-60.82	2.65	27.32	-36.15	-25	-11.15	Vertical
8055	-60.00	5.23	28.89	-36.34	-25	-11.34	Vertical
8055	-62.09	5.23	28.89	-38.43	-25	-13.43	Horizontal
188.8	-49.15	1.58	17.56	-33.17	-25	-8.17	Vertical
370.2	-47.99	1.45	16.58	-32.86	-25	-7.86	Horizontal

16QAM EIRP POWER FOR NR BAND 51 (100.0MHZ BANDWIDTH/ SCS (30kHz))

Test Results for Low Channel 2510MHz							
Frequency(MHz)	SG Level(dBm)	Cable Loss(dB)	Antenna Gain(dB)	Absolute Level(dBm)	Limit (dBm)	Margin(dBm)	Polarity
5092.02	-62.48	2.63	27.3	-37.81	-25	-12.81	Horizontal
5092.02	-63.32	2.63	27.3	-38.65	-25	-13.65	Vertical
7638.03	-61.11	3.38	28.51	-35.98	-25	-10.98	Vertical
7638.03	-58.49	3.38	28.51	-33.36	-25	-8.36	Horizontal
202.5	-52.20	1.63	15.76	-38.07	-25	-13.07	Vertical
438.1	-47.06	1.71	15.44	-33.33	-25	-8.33	Horizontal
Test Results for Mid Channel 2535MHz							
5185.98	-62.32	2.65	27.32	-37.65	-25	-12.65	Horizontal
5185.98	-58.05	2.65	27.32	-33.38	-25	-8.38	Vertical
7778.97	-58.87	4.14	28.51	-34.50	-25	-9.50	Vertical
7778.97	-61.16	4.14	28.51	-36.79	-25	-11.79	Horizontal
200.9	-46.17	1.79	16.84	-31.12	-25	-6.12	Vertical
459.3	-50.12	1.71	17.64	-34.19	-25	-9.19	Horizontal
Test Results for High Channel 2560MHz							
5280	-63.69	2.65	27.32	-39.02	-25	-14.02	Horizontal
5280	-59.81	2.65	27.32	-35.14	-25	-10.14	Vertical
7920	-64.02	5.23	28.89	-40.36	-25	-15.36	Vertical
7920	-62.80	5.23	28.89	-39.14	-25	-14.14	Horizontal
198.8	-54.24	1.79	16.84	-39.19	-25	-14.19	Vertical
297.5	-52.01	1.71	17.64	-36.08	-25	-11.08	Horizontal

Note: P_{Mea}(dBm)= Power(dBm)+ ARpl (dBm)
 Over Limit= : P_{Mea}(dBm)-Limit(dBm)

10. FREQUENCY STABILITY

RULE PART(S)

FCC: §2.1055, §27.54

LIMITS

§22.355 - The carrier frequency shall not depart from the reference frequency in excess of ± 2.5 ppm for mobile stations.

§24.235 - The frequency stability shall be sufficient to ensure that the fundamental emission stays within the authorized frequency block.

TEST PROCEDURE

Use CMW 500 with Frequency Error measurement capability.

- Temp. = -30° to $+50^{\circ}\text{C}$
- Voltage = low voltage, DC 3.4V, Normal, DC 3.87V and High voltage, DC 4.2V.

Frequency Stability vs Temperature:

The EUT is placed inside a temperature chamber. The temperature is set to -30°C and allowed to stabilize. After sufficient soak time, the transmitting frequency error is measured. The temperature is increased by 10 degrees, allowed to stabilize and soak, and then the measurement is repeated. This is repeated until $+50^{\circ}\text{C}$ is reached.

Frequency Stability vs Voltage:

The peak frequency error is recorded (worst-case).

MODES TESTED

- NR Band 41

RESULTS

See the following pages.

10.1 NR BAND 41

DFT_QPSK, (100MHz BANDWIDTH)

Frequency error vs. Voltage

Voltage [Vdc]	Frequency [MHz]	Frequency* Error[Hz]	Frequency Error[ppm]	Limit [ppm]
BAND 41 DFT_QPSK, (CH 518598 1@1 100MHz BANDWIDTH)				
3.66	2592.99	9	0.00347	2.5
3.85	2592.99	12	0.00463	2.5
4.43	2592.99	6	0.00231	2.5

Frequency error vs. Temperature

Temperature [°C]	Frequency [MHz]	Frequency* Error[Hz]	Frequency Error[ppm]	Limit [ppm]
BAND 41 DFT_QPSK, (CH 518598 1@1 100MHz BANDWIDTH)				
Normal (25C)	2592.99	3	0.00116	2.5
Extreme (50C)	2592.99	12	0.00463	2.5
Extreme (40C)	2592.99	8	0.00309	2.5
Extreme (30C)	2592.99	5	0.00193	2.5
Extreme (10C)	2592.99	4	0.00154	2.5
Extreme (0C)	2592.99	7	0.00270	2.5
Extreme (-10C)	2592.99	9	0.00347	2.5
Extreme (-20C)	2592.99	15	0.00578	2.5
Extreme (-30C)	2592.99	6	0.00231	2.5

DFT QAM16, (100MHz BANDWIDTH)

Frequency error vs. Voltage

Voltage [Vdc]	Frequency [MHz]	Frequency* Error[Hz]	Frequency Error[ppm]	Limit [ppm]
BAND 41 DFT_QAM16, (CH 518598 1@1 100MHz BANDWIDTH)				
3.66	2592.99	13	0.00501	2.5
3.85	2592.99	14	0.00540	2.5
4.43	2592.99	9	0.00347	2.5

Frequency error vs. Temperature

Temperature [°C]	Frequency [MHz]	Frequency* Error[Hz]	Frequency Error[ppm]	Limit [ppm]
BAND 41 DFT_QAM16, (CH 518598 1@1 100MHz BANDWIDTH)				
Normal (25C)	2592.99	1	0.00039	2.5
Extreme (50C)	2592.99	13	0.00501	2.5
Extreme (40C)	2592.99	7	0.00270	2.5
Extreme (30C)	2592.99	3	0.00116	2.5
Extreme (10C)	2592.99	10	0.00386	2.5
Extreme (0C)	2592.99	6	0.00231	2.5
Extreme (-10C)	2592.99	9	0.00347	2.5
Extreme (-20C)	2592.99	10	0.00386	2.5
Extreme (-30C)	2592.99	7	0.00270	2.5

***Note:** Frequency error measurements were made by using the build-in capability of the Wireless Communication Test Set.

11. Peak-to-Average Ratio

11.1 Description of the PAR Measurement

The peak-to-average ratio (PAR) of the transmission may not exceed 13 dB.

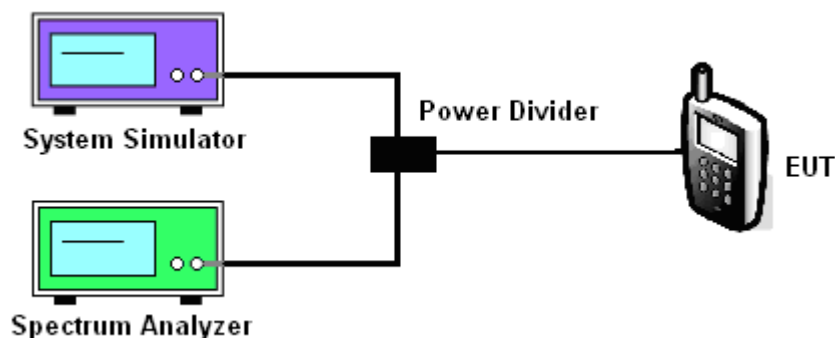
11.2 Measuring Instruments

See list of measuring instruments of this test report.

11.3 Test Procedures

1. The EUT was connected to Spectrum Analyzer and Base Station via power divider.
2. The RF output of EUT was connected to the spectrum analyzer by RF cable and attenuator. The path loss was compensated to the results for each measurement.
3. For GSM/EGPRS operating modes:
 - a. Set the RBW = 1MHz, VBW = 1MHz, Peak detector in spectrum analyzer.
 - b. Set EUT in maximum power output, and triggered the burst signal.
 - c. Measured respectively the Peak level and Mean level, and the deviation was recorded as Peak to Average Ratio.
4. For UMTS operating modes:
 - a. Set the CCDF (Complementary Cumulative Distribution Function) option in spectrum analyzer.
 - b. The highest RF powers were measured and recorded the maximum PAPR level associated with a probability of 0.1 %.

11.4 Test Setup



11.5 MODES TESTED

- NR Band 41
-

Test data reference attachment.

----END OF REPORT----