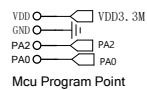
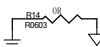


MCU Circuit

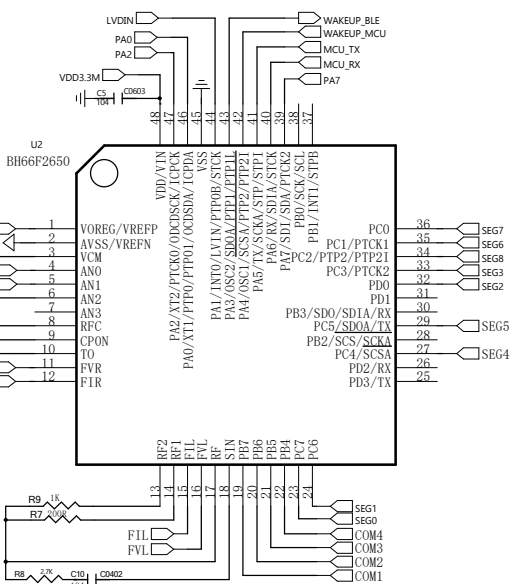
LVD Circuit



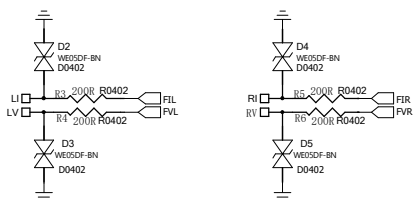
Mcu Program Point



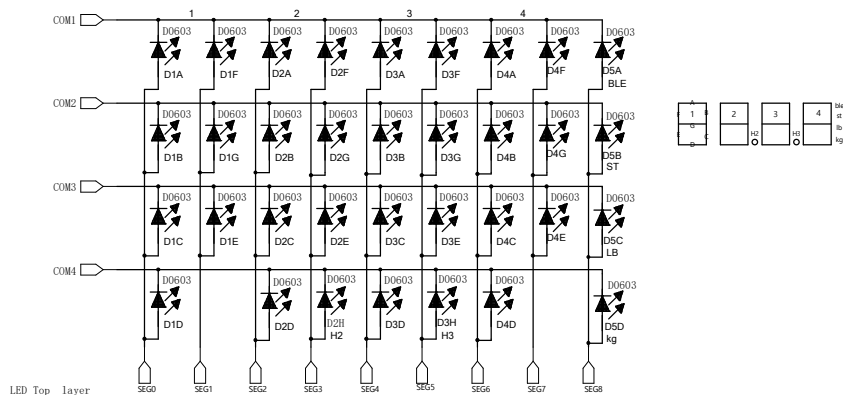
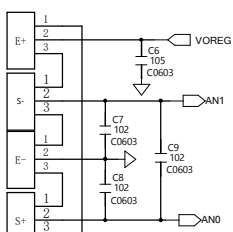
Unit Circuit



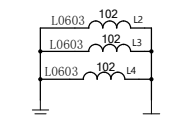
Body Fat Circuit



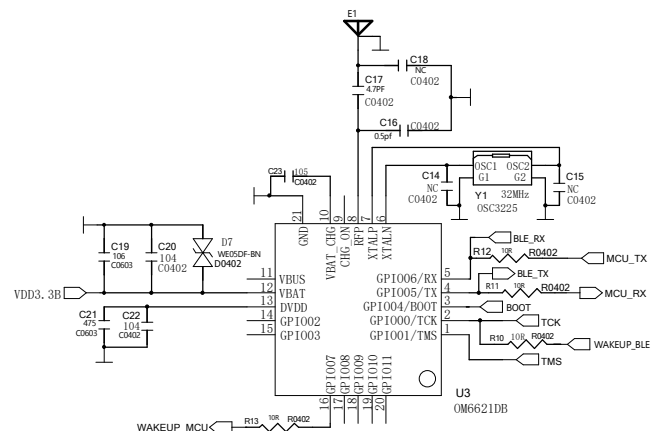
Weight Circuit



LED Top layer



Power Isolation Circuit



BLE Circuit



BLE Program Point: BOOT, TXB, RXB, VDD8, GND8 JLINK Point: TCK, TMS, VDD8, GND8

| | |
|--|------------------|
| 深圳市乐福衡器有限公司 Shenzhen Unique Scales Co., Ltd | |
| DRAWING NO: 文件编号 | VER: 版本号 V1.0 |
| TITLE: 名称 CF583BLE SCH | Page: 页码 1 |
| Drawn By: 制图 Dong Haiou | DATE: 日期 |
| Checked By: 审核 | DATE: 日期 |
| APPROVED BY: 批准 | DATE: 日期 |