

# 规格书

## SPECIFICATION FOR APPROVAL

物料描述

DESCRIBE: Antenna For Anker

客户料号

Customer NO:

物料编码

PART NO: ATC0821 HY011B05RA

天线类型

Antenna type: WIFI/BT Antenna

日期

DATE: 2024. 05. 25

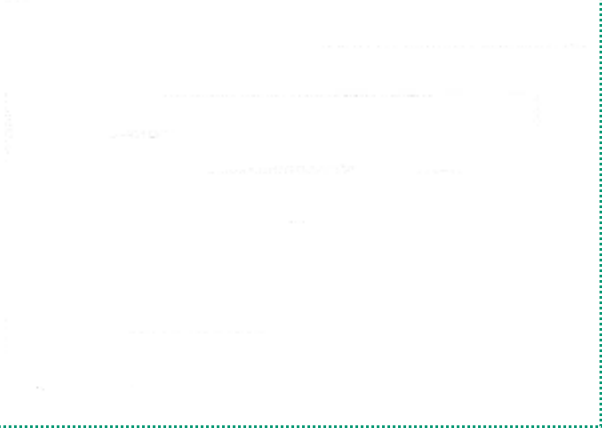
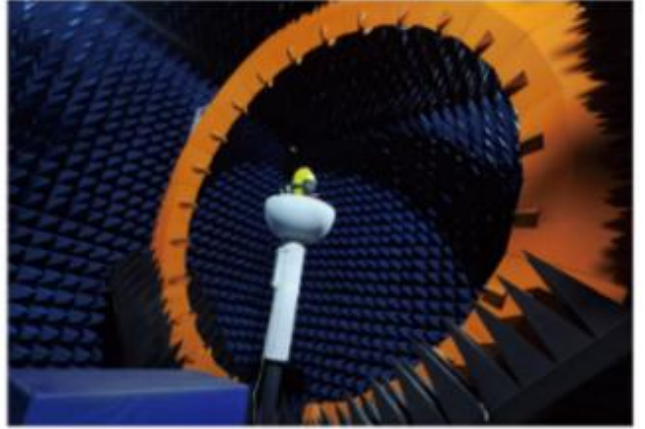
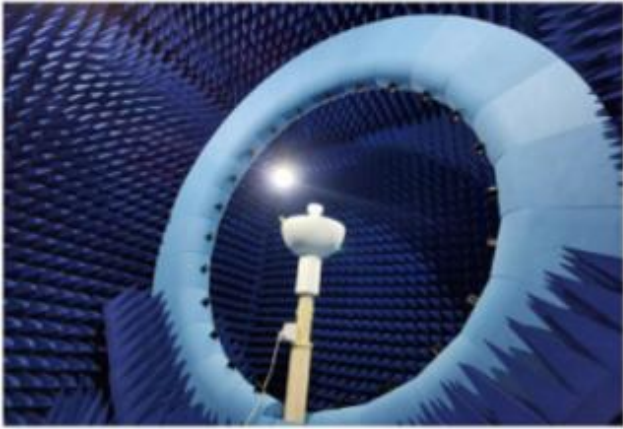
供应商 爱特恩科技（深圳）有限公司

PROVIDER: Aiten Technology (Shenzhen) Co., LTD

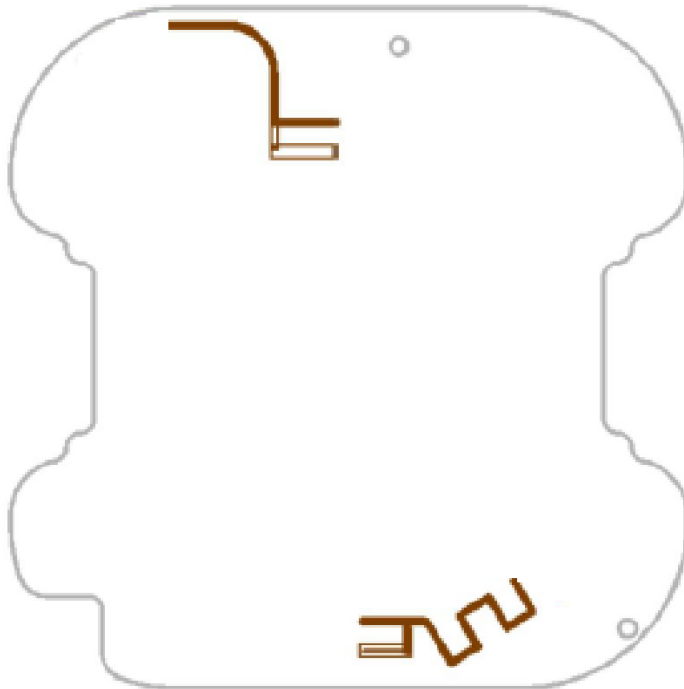
ADD: 201, Building C, Building 5, Skyworth Innovation Valley,

Tangtou 1 Road, Tangtou Community, Shiyan Street,

Bao'an District, Shenzhen



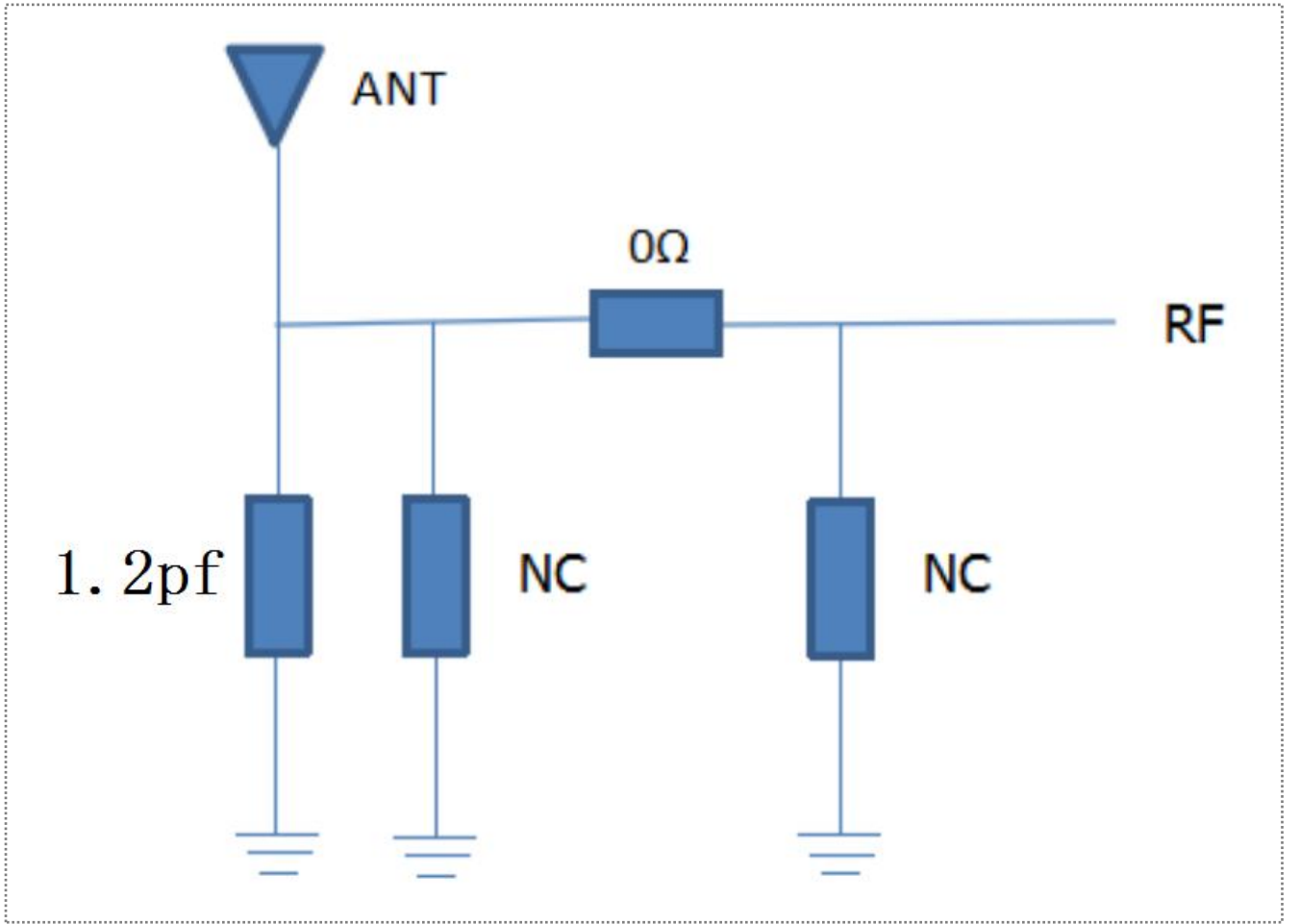
BT-ANT



WIFI-ANT

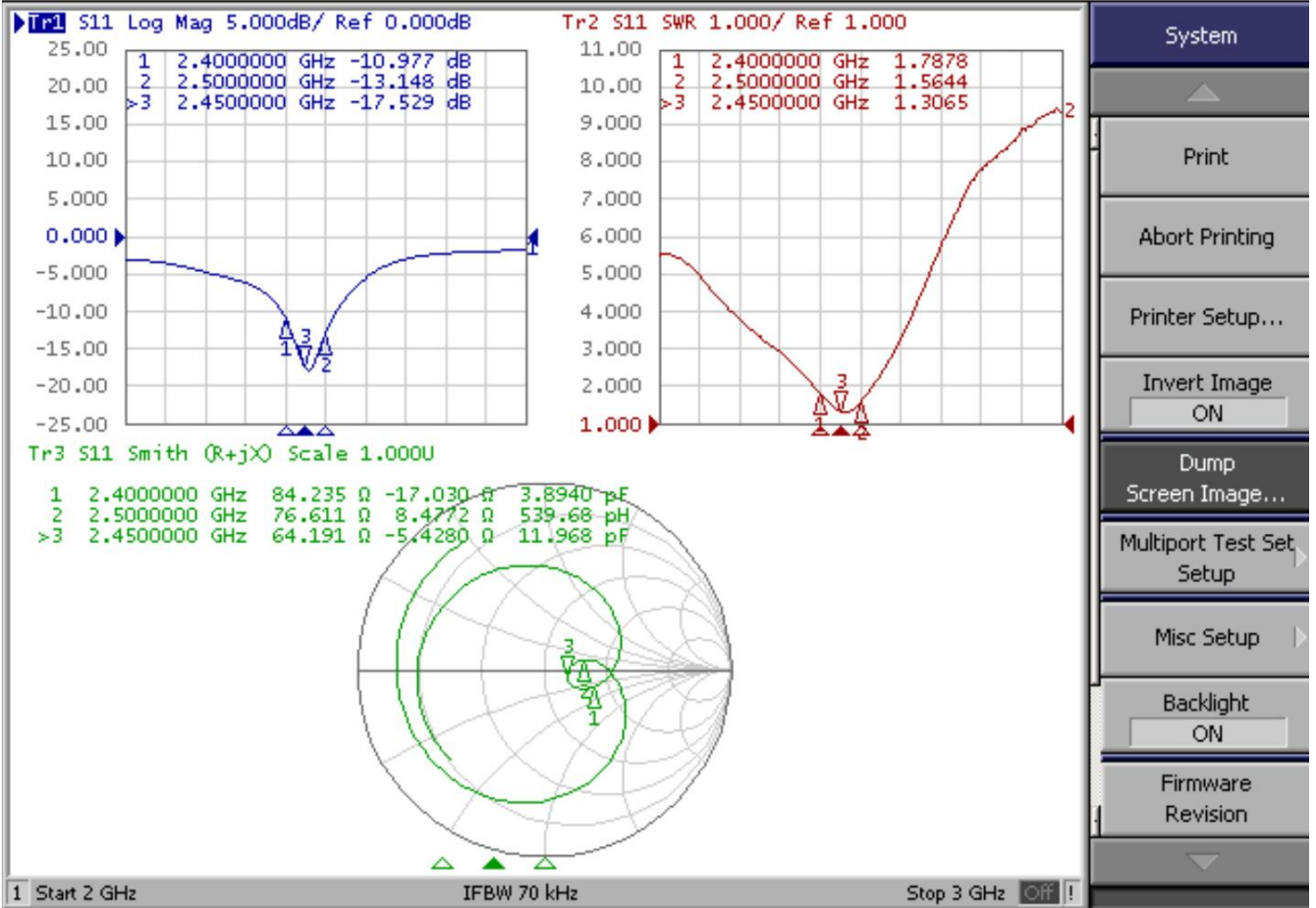
# WiFi Matching circuit

Customer	Anker	Written By	Long ningfang	Orig.Date	2024.05.25
Part Number	ATC821 HY010B05RA	Revised BY	Zhang wanzhe	Revised Date	2024.05.25
Description	WiFi	Approved By	Shin	Approved Date	2024.05.25



# WiFi Antenna S11

Customer	Anker	Written By	Long ningfang	Orig.Date	2024.05.25
Part Number	ATC821 HY010B05RA	Revised BY	Zhang wanzhe	Revised Date	2024.05.25
Description	WiFi	Approved By	Shin	Approved Date	2024.05.25





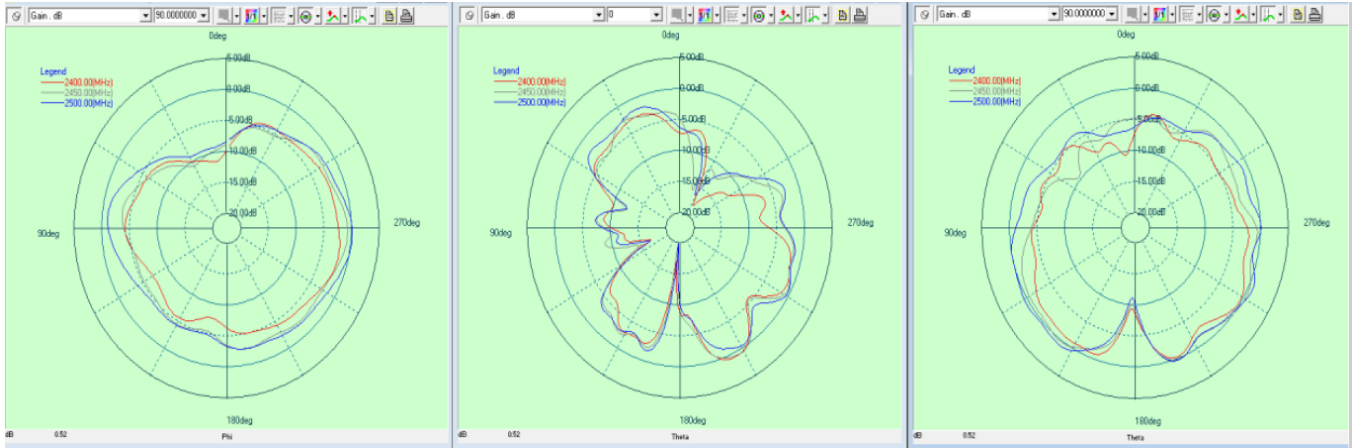
## WIFI Antenna Efficiency&Peak Gain

Customer	Anker	Written By	Long ningfang	Orig.Date	2024.05.25
Part Number	ATC821 HY010B05RA	Revised BY	Zhang wanzhe	Revised Date	2024.05.25
Description	WIFI	Approved By	Shin	Approved Date	2024.05.25

无源测试数据 Passive test data		
Frequency	Efficiency	Gain. dBi
2400	30.77%	2.93
2410	30.86%	2.80
2420	29.50%	2.88
2430	28.44%	2.78
2440	29.07%	2.47
2450	31.58%	2.36
2460	33.65%	2.24
2470	35.74%	2.44
2480	37.24%	2.57
2490	38.12%	2.53
2500	38.47%	2.67

# WIFI Directional pattern TEST

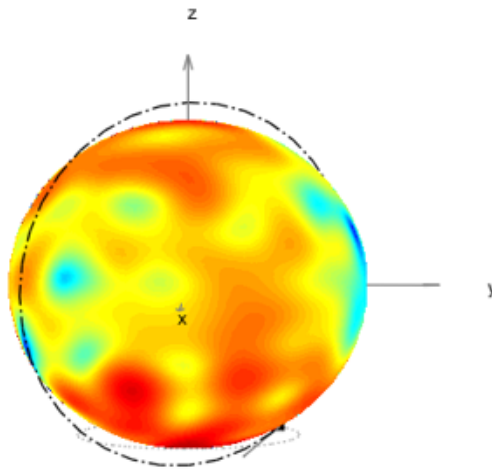
Customer	Anker	Written By	Long ningfang	Orig.Date	2024.05.25
Part Number	ATC821 HY010B05RA	Revised BY	Zhang wanzhe	Revised Date	2024.05.25
Description	WIFI	Approved By	Shin	Approved Date	2024.05.25



# 3D Field pattern diagram

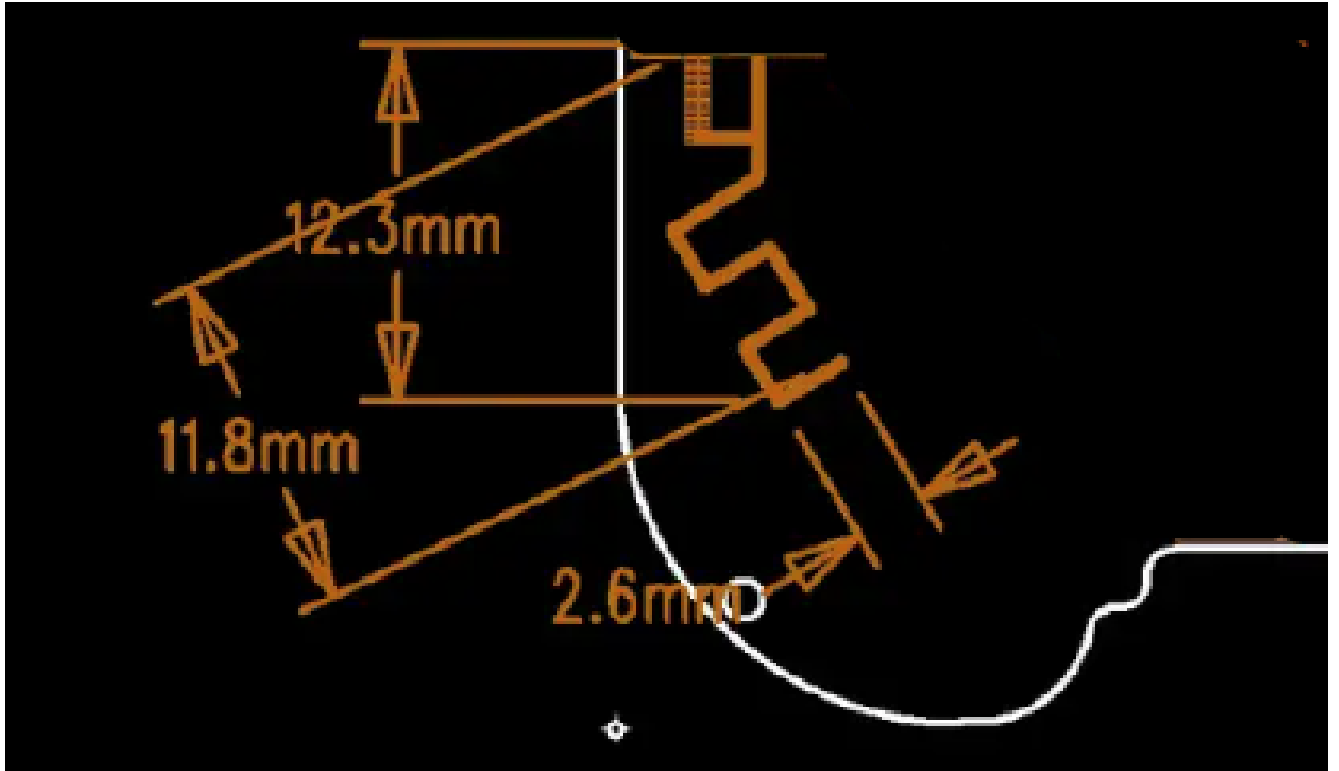
Customer	Anker	Written By	Long ningfang	Orig.Date	2024.05.25
Part Number	ATC821 HY010B05RA	Revised BY	Zhang wanzhe	Revised Date	2024.05.25
Description	WIFI	Approved By	Shin	Approved Date	2024.05.25

## 2450MHZ



# WIFI Antenna Draw

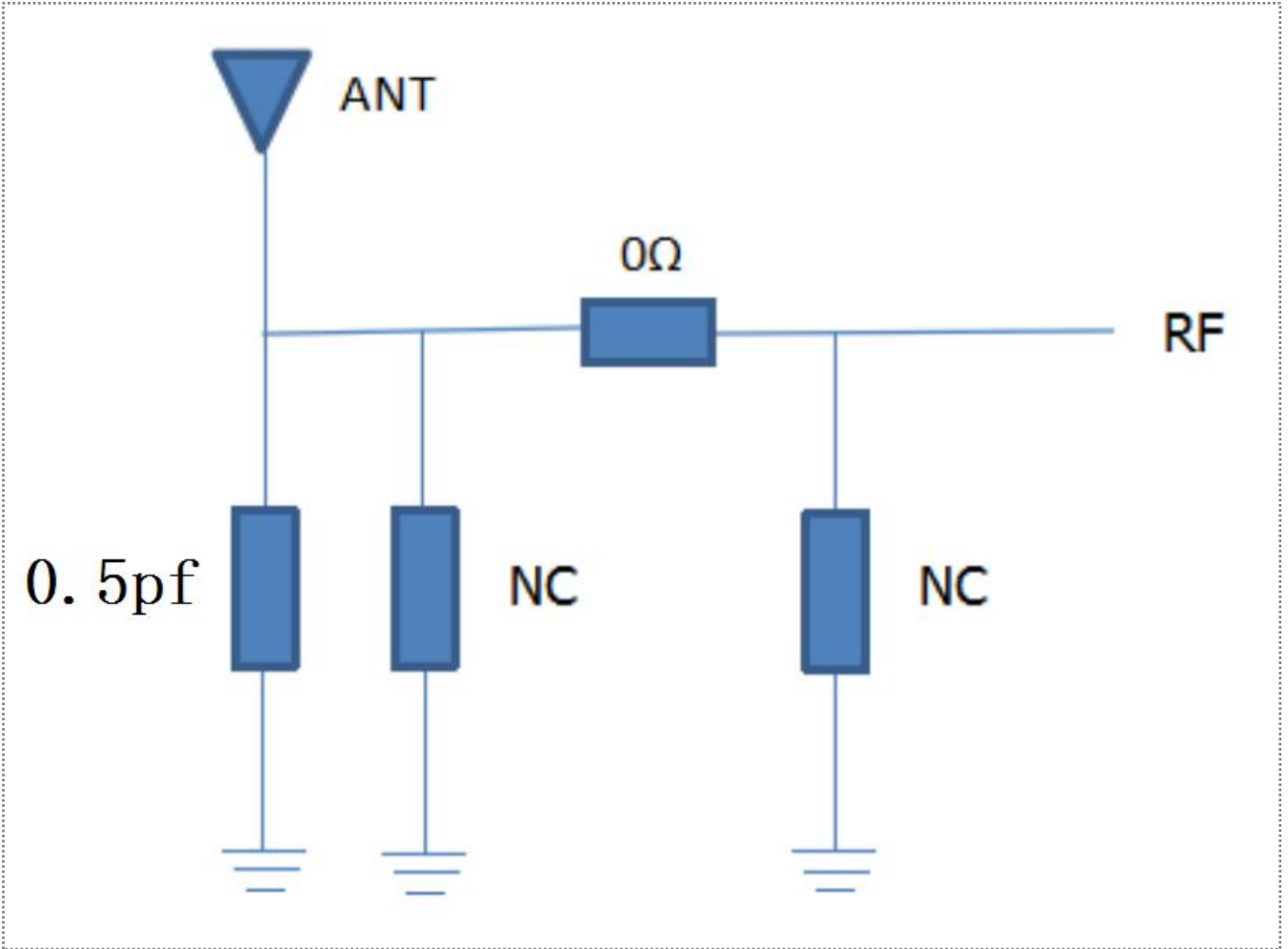
Customer	Anker	Written By	Long ningfang	Orig.Date	2024.05.25
Part Number	ATC821 HY010B05RA	Revised BY	Zhang wanzhe	Revised Date	2024.05.25
Description	WIFI	Approved By	Shin	Approved Date	2024.05.25





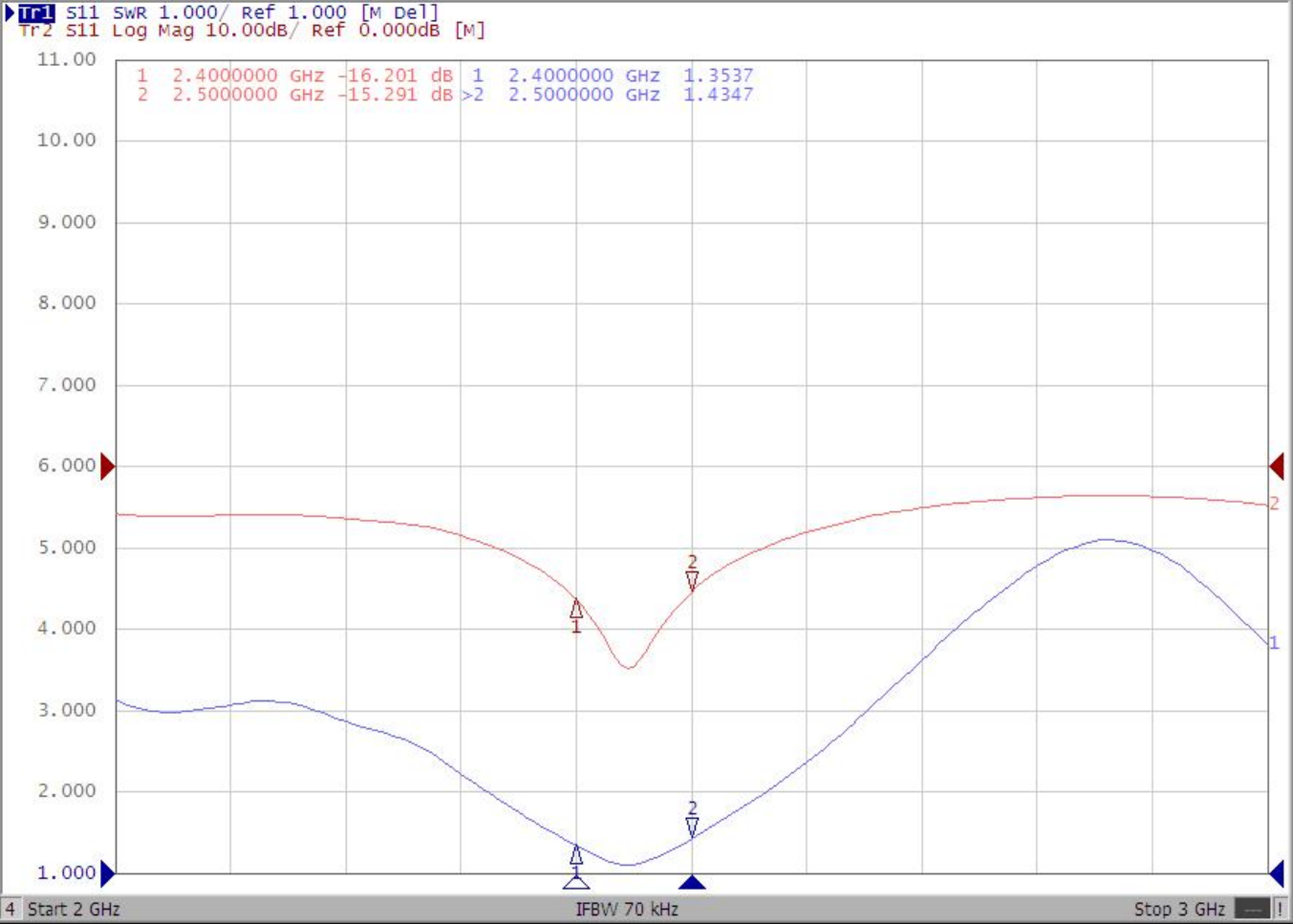
# BT ANT Matching circuit

Customer	Anker	Written By	Long ningfang	Orig.Date	2024.05.25
Part Number	ATC821 HY010B05RA	Revised BY	Zhang wanzhe	Revised Date	2024.05.25
Description	BT	Approved By	Shin	Approved Date	2024.05.25



# BT Antenna S11

Customer	Anker	Written By	Long ningfang	Orig.Date	2024.05.25
Part Number	ATC821 HY010B05RA	Revised BY	Zhang wanzhe	Revised Date	2024.05.25
Description	BT	Approved By	Shin	Approved Date	2024.05.25



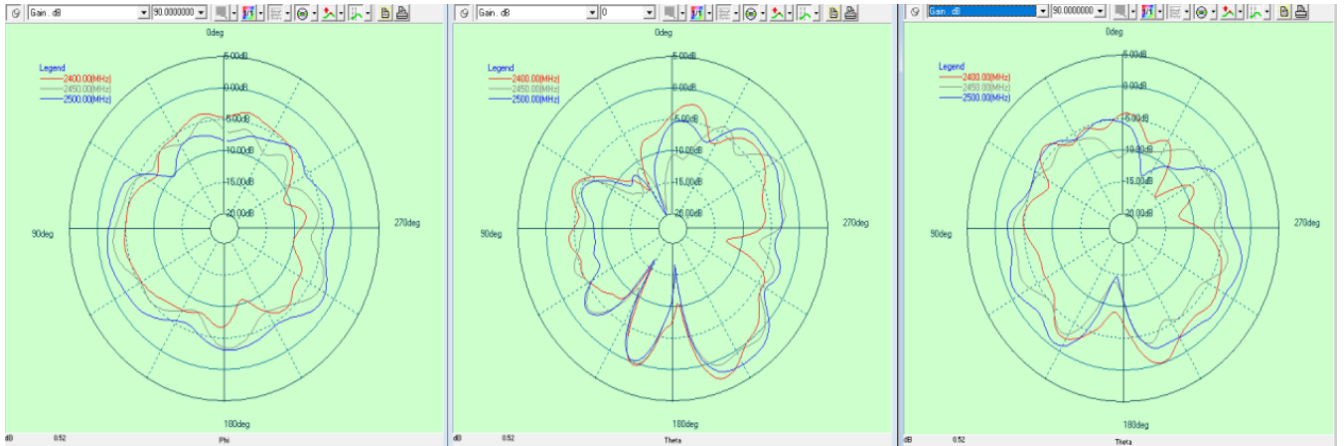
## BT Antenna Efficiency&Peak Gain

Customer	Anker	Written By	Long ningfang	Orig.Date	2024.05.25
Part Number	ATC821 HY010B05RA	Revised BY	Zhang wanzhe	Revised Date	2024.05.25
Description	BT	Approved By	Shin	Approved Date	2024.05.25

无源测试数据 Passive test data		
Frequency	Efficiency	Gain. dBi
2400	36.79%	3.11
2410	39.06%	3.41
2420	40.90%	3.47
2430	41.40%	3.41
2440	42.22%	3.26
2450	44.76%	3.57
2460	41.28%	3.94
2470	40.07%	3.21
2480	41.13%	3.24
2490	39.50%	3.31
2500	39.29%	3.49

# BT Directional pattern TEST

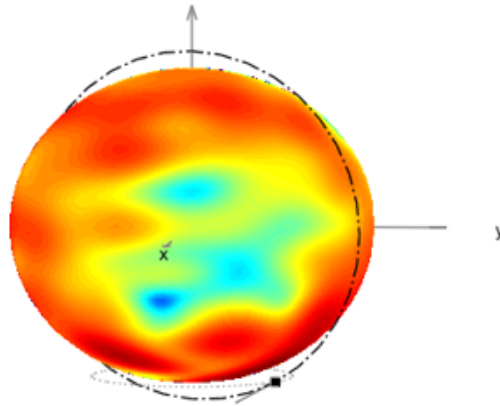
Customer	Anker	Written By	Long ningfang	Orig.Date	2024.05.25
Part Number	ATC821 HY010B05RA	Revised BY	Zhang wanzhe	Revised Date	2024.05.25
Description	BT	Approved By	Shin	Approved Date	2024.05.25



# 3D Field pattern diagram

Customer	Anker	Written By	Long ningfang	Orig.Date	2024.05.25
Part Number	ATC821 HY010B05RA	Revised BY	Zhang wanzhe	Revised Date	2024.05.25
Description	BT	Approved By	Shin	Approved Date	2024.05.25

**2450MHZ**



# BT Antenna Draw

Customer	Anker	Written By	Long ningfang	Orig.Date	2024.05.25
Part Number	ATC821 HY010B05RA	Revised BY	Zhang wanzhe	Revised Date	2024.05.25
Description	BT	Approved By	Shin	Approved Date	2024.05.25

