

规格书

SPECIFICATION FOR APPROVAL

物料描述

DESCRIBE: Antenna For Anker T8L00

客户料号

Customer NO:

物料编码

PART NO: ATC0821 HY011B05RA

天线类型

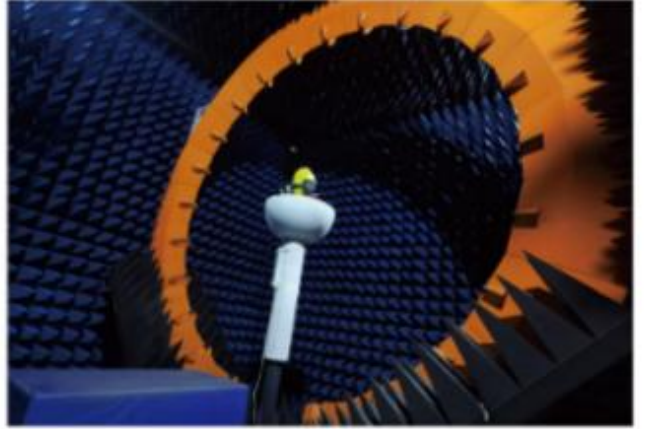
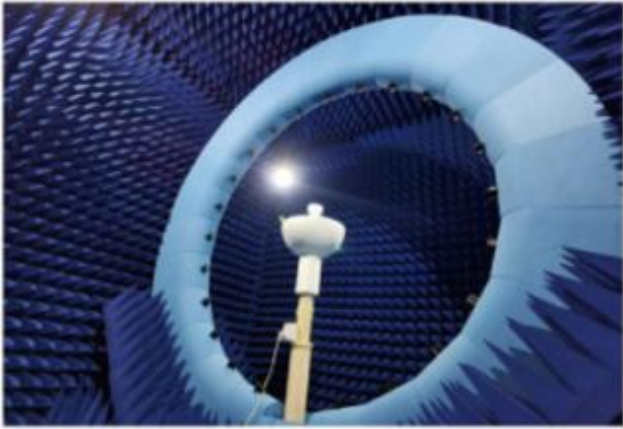
Antenna type: WIFI/BT Antenna

日期

DATE: 2023.08.21

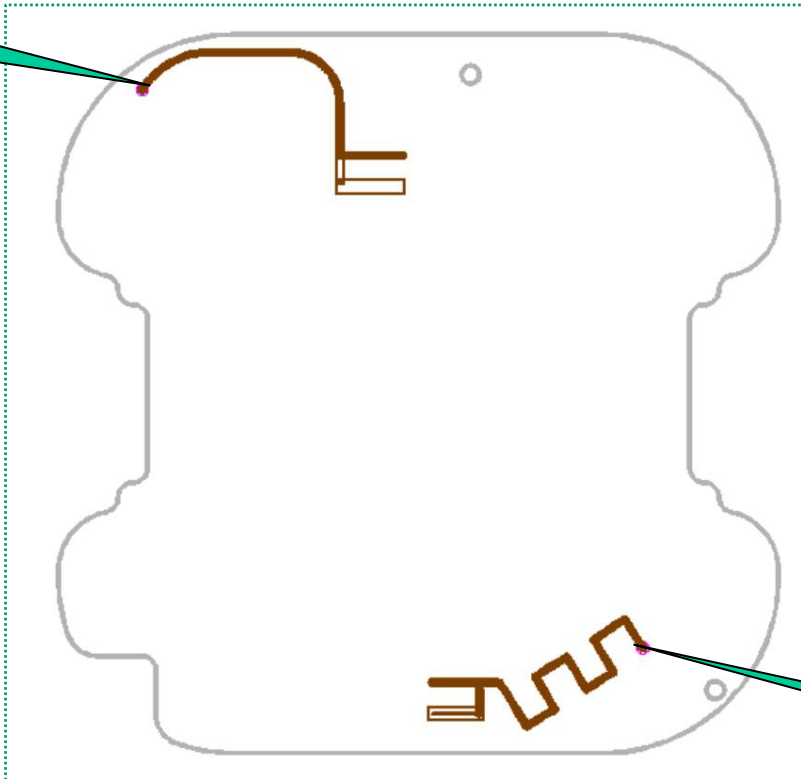
供应商

PROVIDER: 爱特恩科技（深圳）有限公司



拥有SATIMO原装实验室7M*5M*5M的24
探头一座
益麦3.5MX3.5MX3.5M的24探头一座
频率范围均为400MHZ-8.5GHZ
2/3/4/5G、
WIFI A/B/G/N/AC/AX
BT
GPS
NB-10T等有源测试，
拥有模拟人头手测试设备

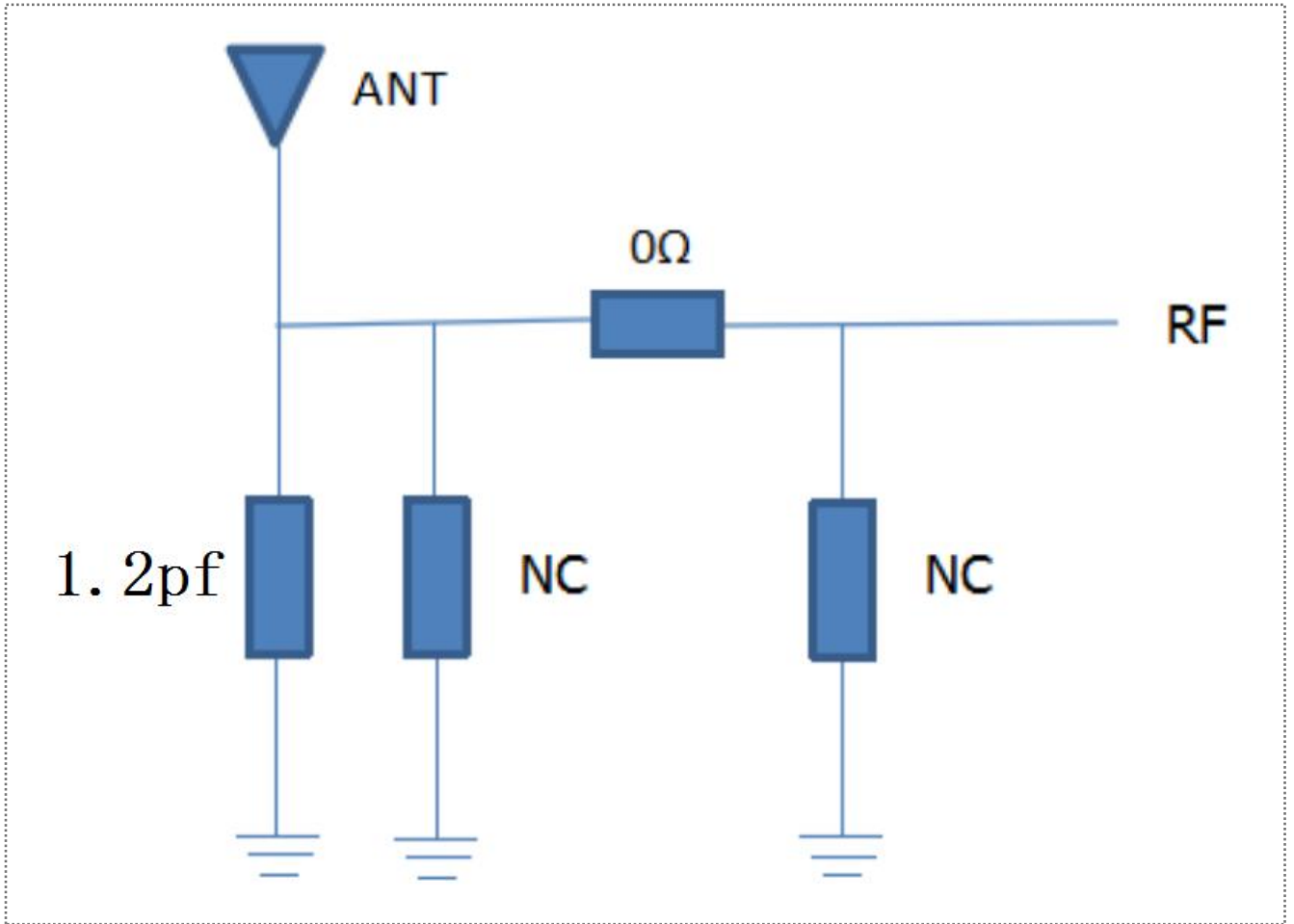
BT-ANT



WIFI-ANT

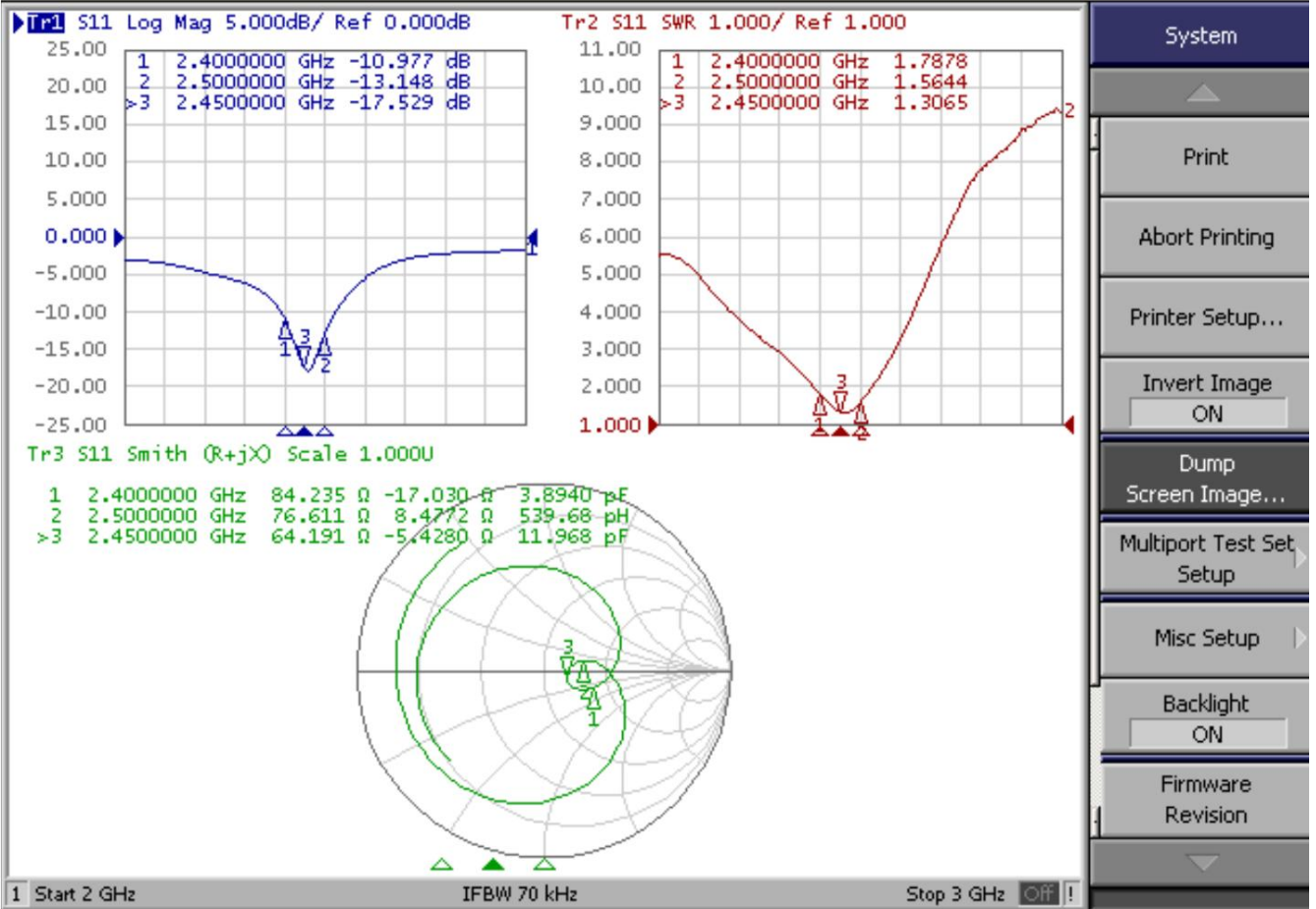
WiFi Matching circuit

Customer	Anker	Written By	Long ningfang	Orig.Date	2023.08.21
Part Number	ATC821 HY010B05RA	Revised BY	Zhang wanzhe	Revised Date	2023.08.21
Description	WiFi	Approved By	Shin	Approved Date	2023.08.21



WiFi Antenna S11

Customer	Anker	Written By	Long ningfang	Orig.Date	2023.08.21
Part Number	ATC821 HY010B05RA	Revised BY	Zhang wanzhe	Revised Date	2023.08.21
Description	WiFi	Approved By	Shin	Approved Date	2023.08.21





WIFI Antenna Efficiency&Peak Gain

Customer	Anker	Written By	Long ningfang	Orig.Date	2023.08.21
Part Number	ATC821 HY010B05RA	Revised BY	Zhang wanzhe	Revised Date	2023.08.21
Description	WIFI	Approved By	Shin	Approved Date	2023.08.21

Frequency (MHz)	Efficiency (%)	Efficiency (dB)	Gain (dBi)
2400	69.2%	-1.6	2.6
2410	67.6%	-1.7	2.2
2420	68.4%	-1.7	2.7
2430	64.9%	-1.9	2.2
2440	68.9%	-1.6	2.7
2450	65.8%	-1.8	2.1
2460	68.6%	-1.6	2.6
2470	64.9%	-1.9	2.3
2480	67.8%	-1.7	2.8
2490	65.3%	-1.9	2.4
2500	66.1%	-1.8	3.0

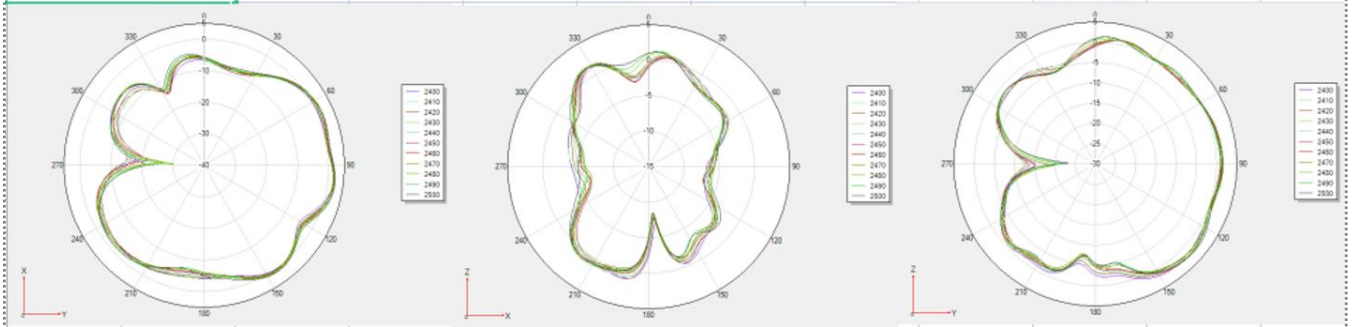
WiFi Directional pattern TEST

Customer	Anker	Written By	Long ningfang	Orig.Date	2023.08.21
Part Number	ATC821 HY010B05RA	Revised BY	Zhang wanzhe	Revised Date	2023.08.21
Description	WiFi	Approved By	Shin	Approved Date	2023.08.21

H

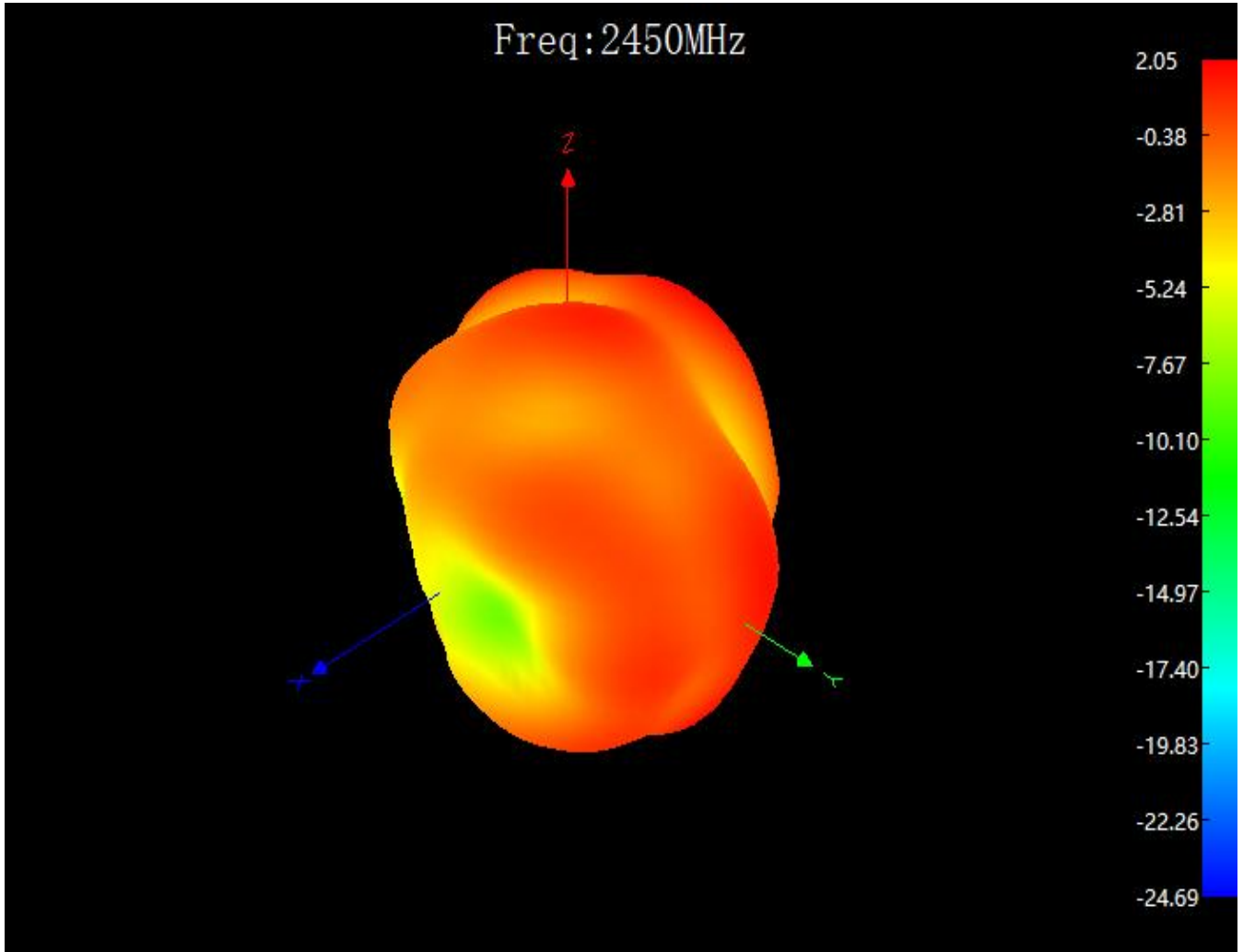
E1

E2



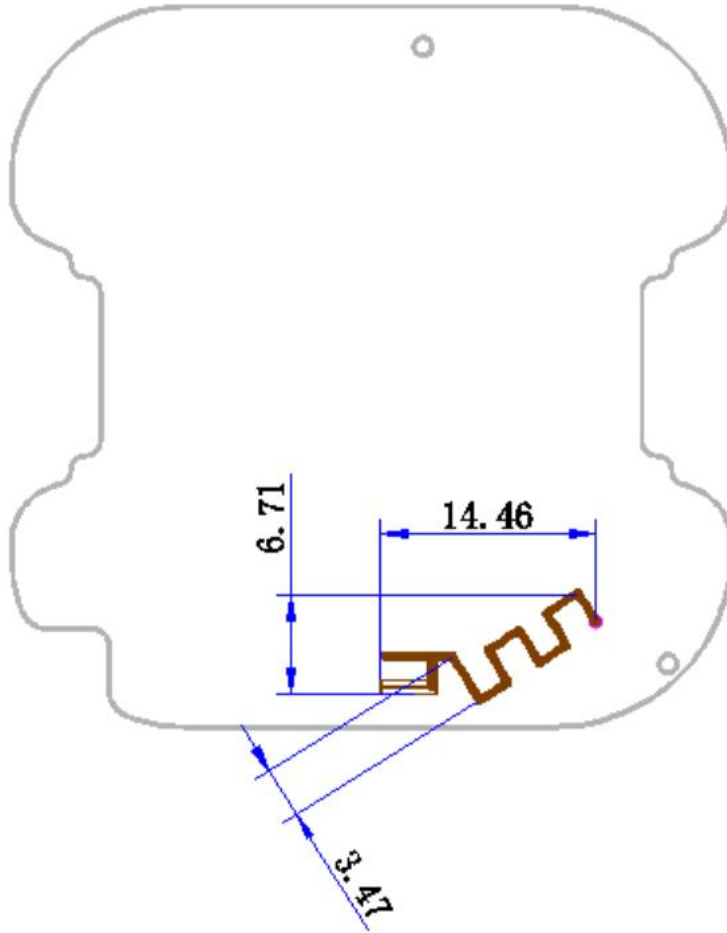
3D Field pattern diagram

Customer	Anker	Written By	Long ningfang	Orig.Date	2023.08.21
Part Number	ATC821 HY010B05RA	Revised BY	Zhang wanzhe	Revised Date	2023.08.21
Description	WIFI	Approved By	Shin	Approved Date	2023.08.21



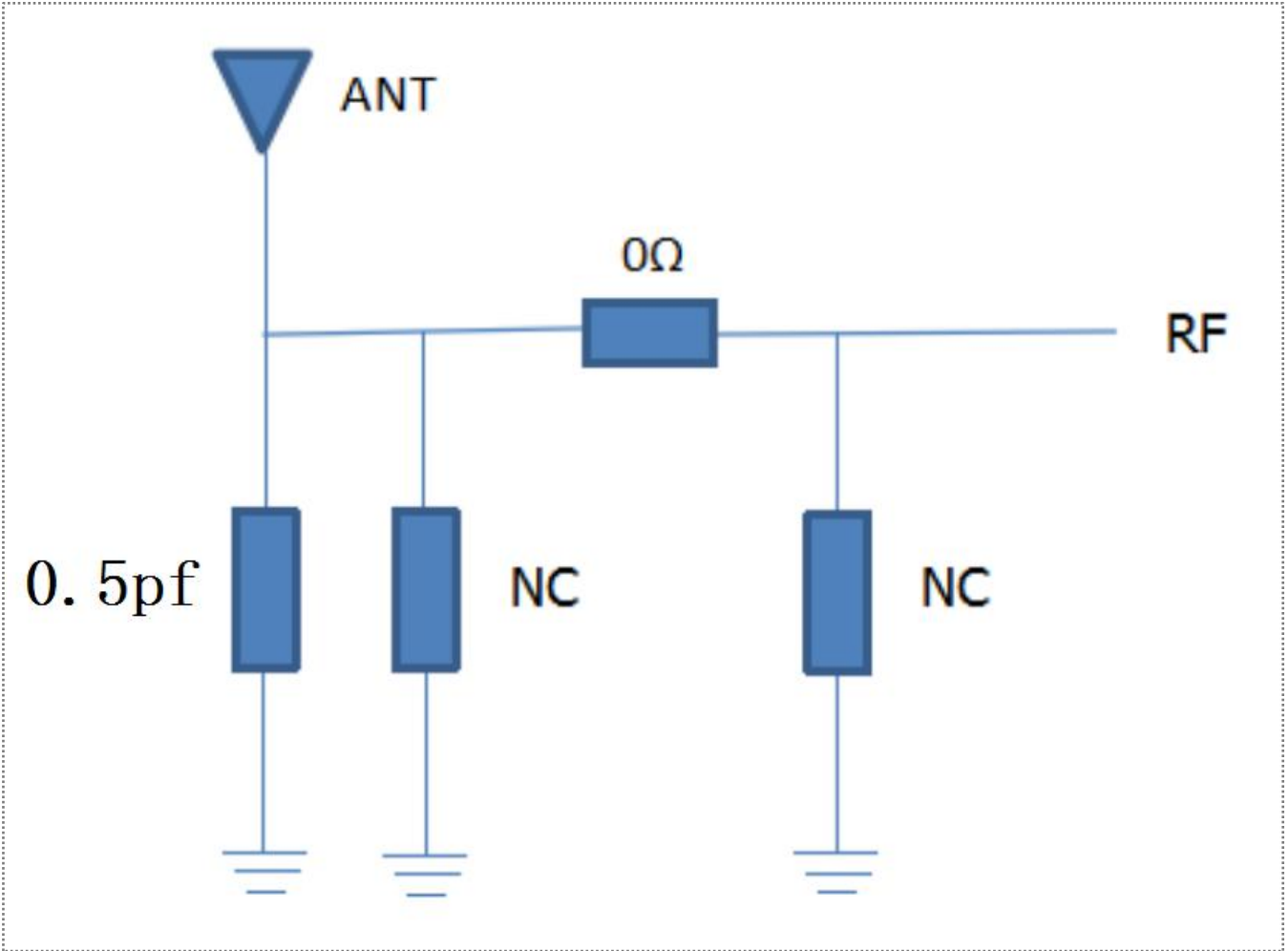
WiFi Antenna Draw

Customer	Anker	Written By	Long ningfang	Orig.Date	2023.08.21
Part Number	ATC821 HY010B05RA	Revised BY	Zhang wanzhe	Revised Date	2023.08.21
Description	WiFi	Approved By	Shin	Approved Date	2023.08.21



BT ANT Matching circuit

Customer	Anker	Written By	Long ningfang	Orig.Date	2023.08.21
Part Number	ATC821 HY010B05RA	Revised BY	Zhang wanzhe	Revised Date	2023.08.21
Description	BT	Approved By	Shin	Approved Date	2023.08.21



BT Antenna S11

Customer	Anker	Written By	Long ningfang	Orig.Date	2023.08.21
Part Number	ATC821 HY010B05RA	Revised BY	Zhang wanzhe	Revised Date	2023.08.21
Description	BT	Approved By	Shin	Approved Date	2023.08.21





BT Antenna Efficiency&Peak Gain

Customer	Anker	Written By	Long ningfang	Orig.Date	2023.08.21
Part Number	ATC821 HY010B05RA	Revised BY	Zhang wanzhe	Revised Date	2023.08.21
Description	BT	Approved By	Shin	Approved Date	2023.08.21

Frequency (MHz)	Efficiency (%)	Efficiency (dB)	Gain (dBi)
2400	65.9%	-1.8	4.0
2410	64.3%	-1.9	3.9
2420	65.5%	-1.8	3.7
2430	62.8%	-2.0	3.6
2440	66.8%	-1.8	3.7
2450	63.2%	-2.0	3.6
2460	65.8%	-1.8	3.7
2470	62.4%	-2.0	3.7
2480	65.0%	-1.9	3.9
2490	62.2%	-2.0	3.8
2500	62.1%	-2.0	3.8

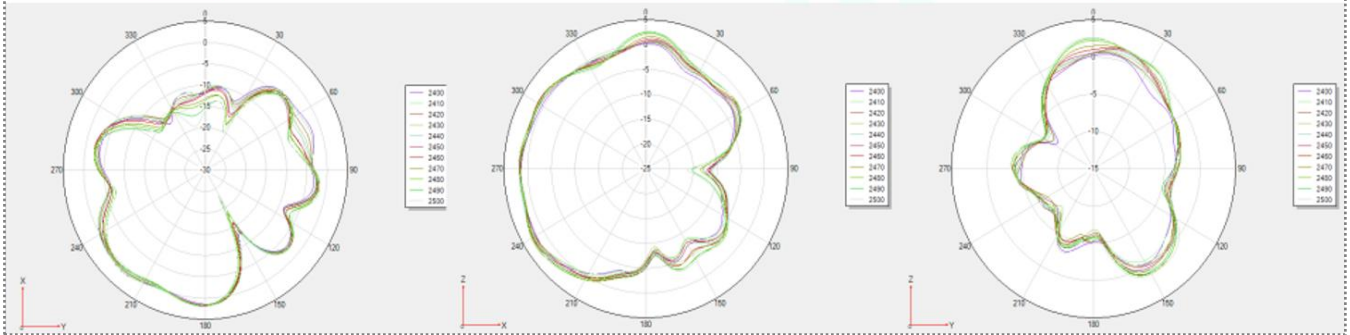
BT Directional pattern TEST

Customer	Anker	Written By	Long ningfang	Orig.Date	2023.08.21
Part Number	ATC821 HY010B05RA	Revised BY	Zhang wanzhe	Revised Date	2023.08.21
Description	BT	Approved By	Shin	Approved Date	2023.08.21

H

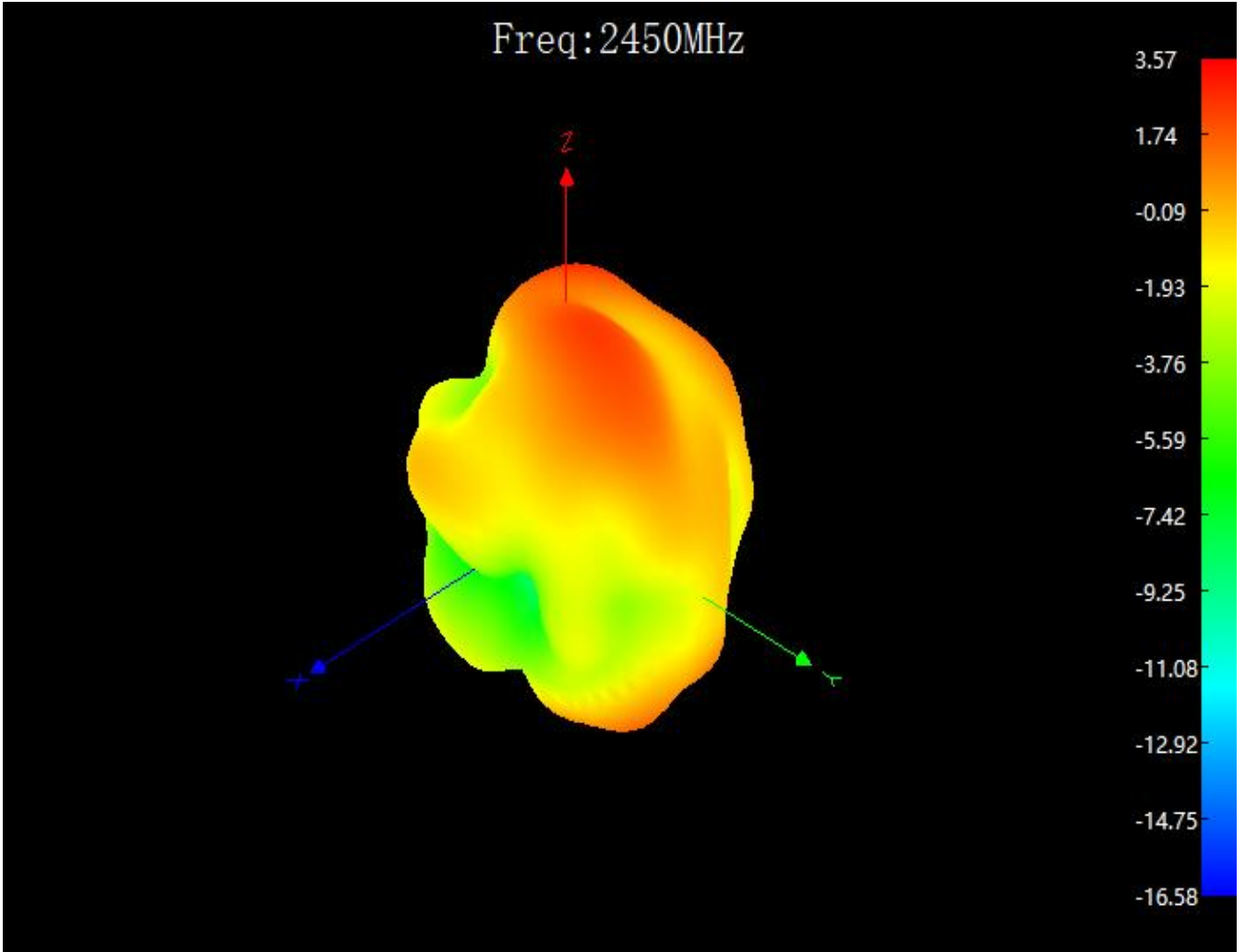
E1

E2



3D Field pattern diagram

Customer	Anker	Written By	Long ningfang	Orig.Date	2023.08.21
Part Number	ATC821 HY010B05RA	Revised BY	Zhang wanzhe	Revised Date	2023.08.21
Description	BT	Approved By	Shin	Approved Date	2023.08.21



BT Antenna Draw

Customer	Anker	Written By	Long ningfang	Orig.Date	2023.08.21
Part Number	ATC821 HY010B05RA	Revised BY	Zhang wanzhe	Revised Date	2023.08.21
Description	BT	Approved By	Shin	Approved Date	2023.08.21

