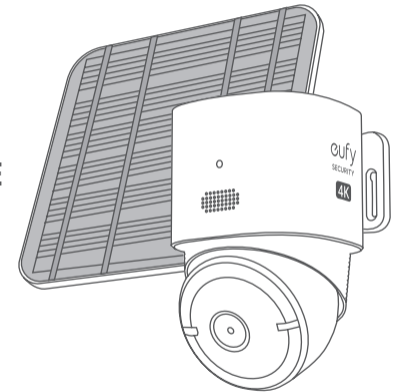




## QUICK START GUIDE

4G LTE Camera S330



## Setting Up the System

1. Download and install the eufy Security app, then sign in or create an account.



2. Follow the in-app instructions to add this device and complete the setup.



For online support, tutorial videos, FAQs, and more information, please visit <https://support.eufy.com/s/>



Scan the QR code to read the detailed user guide.



## Important Safety Instructions

- The suitable temperature for this device and accessories is -20°C to 50°C (Charging temperature is 0°C to 45°C).
- It is recommended to supply the device in an environment with a temperature that ranges from 5°C to 25°C.

### Warning

- Replacing a battery with an incorrect type may bypass safeguards and create danger;
- Disposal of a battery in a fire or other source of significant heat, or by crushing, or cutting, may result in an explosion as well as leakage of flammable liquids and gases;
- Leaving a battery in an extremely hot environment may result in an explosion as well as leakage of flammable liquids and gases;
- A battery subjected to extremely low air pressure may result in an explosion as well as leakage of flammable liquids and gases.



### CAUTION!

THERE IS A RISK OF EXPLOSION IF AN INCORRECT BATTERY TYPE IS USED. DISPOSE OF USED BATTERIES ACCORDING TO THEIR INSTRUCTIONS.

FCC ID:2AOKB-T86P2

### FCC Statement

This device complies with Part 15 of the FCC Rules. Operation is subject to the following two conditions: (1) this device may not cause harmful interference, and (2) this device must accept any interference received, including interference that may cause undesired operation.

Warning: Changes or modifications not expressly approved by the party responsible for compliance could void the user's authority to operate the equipment.

Note: This equipment has been tested and found to comply with the limits for a Class B digital device, pursuant to Part 15 of the FCC Rules. These limits are designed to provide reasonable protection against harmful interference in a residential installation.

This equipment generates uses and can radiate radio frequency energy and, if

not installed and used in accordance with the instructions, may cause harmful interference to radio communications. However, there is no guarantee that interference will not occur in a particular installation. If this equipment does cause harmful interference to radio or television reception, which can be determined by turning the equipment off and on, the user is encouraged to try to correct the interference by one or more of the following measures: (1) Reorient or relocate the receiving antenna. (2) Increase the separation between the equipment and receiver. (3) Connect the equipment into an outlet on a circuit different from that to which the receiver is connected. (4) Consult the dealer or an experienced radio/TV technician for help.

### FCC Radio Frequency Exposure Statement

The device has been evaluated to meet general RF exposure requirements. The device can be used in fixed/mobile exposure condition. The min separation distance is 20cm.

### Notice: Shielded cables

All connections to other computing devices must be made using shielded cables to maintain compliance with FCC regulations. The following importer is the responsible party




Anker Innovations Limited. All rights reserved. eufy Security and eufy Security Logo are trademarks of Anker Innovations Limited, registered in the United States and other countries. All other trademarks are the property of their respective owners.

PN: T86P2  
51005004243 V01

Company Name: POWER MOBILE LIFE, LLC  
Address: 10900 NE 8th St, Ste 501, Bellevue WA 98004  
Telephone: 1-800-988-7973


#### Declaration of Conformity


 This product complies with the radio interference requirements of the European Community. Hereby, Anker Innovations Limited declares that this device is in compliance with the essential requirements and other relevant provisions of Directive 2014/53/EU. For the declaration of conformity, visit the Web site: <https://uk.eufylife.com/>.  
RF exposure information: The Maximum Permissible Exposure (MPE) level has been calculated based on a distance of d=20 cm between the device and the human body. To maintain compliance with RF exposure requirements, use products that maintain a 20cm distance between the device and human body.

Frequency bands and power are as below:

Function	Bands	Operation Frequency	Max.Power
Wi-Fi	2.4GHz	2412-2472MHz	EIRP 19.10 dBm
LTE	1	1920-1980MHz	25.7dBm
	3	1710-1785MHz	25.7dBm
	7	2500-2570MHz	25.7dBm
	8	880-915MHz	25.7dBm
	20	832-862MHz	25.7dBm
	28A	703-733MHz	25.7dBm
	38	2570-2620MHz	25.7dBm
	40	2300-2400MHz	25.7dBm


Anker Innovations Deutschland GmbH | Georg-Muche-Strasse 3, 80807 Munich, Germany

 Your product is designed and manufactured with high quality materials and components, which can be recycled and reused.

 This symbol means the product must not be discarded as household waste, and should be delivered to an appropriate collection facility for recycling. Proper disposal and recycling helps protect natural resources, human health and the environment. For more information on disposal and recycling of this product, contact your local municipality, disposal service, or the shop where you bought this product.ww

## CUSTOMER SERVICE

 12-month limited warranty

 (US) +1 (800) 988-7973 (AU) +61 3 8331 4800  
(UK) +44 (0) 1604 936200 (Egypt) +20 8000000826  
(DE) +49 (0) 69 9579 7960 (UAE) +971 8000320817  
(中国) +86 400 0550 036 (Kuwait) +965 22069086  
(日本) +81 03 4455 7823 (Saudi Arabia) +966 8008500030

 [support@eufy.com](mailto:support@eufy.com)

Anker Innovations Limited  
Room 1318-19, Hollywood Plaza, 610 Nathan Road, Mongkok, Kowloon, Hong Kong

 @EufyOfficial  @EufyOfficial  @EufyOfficial