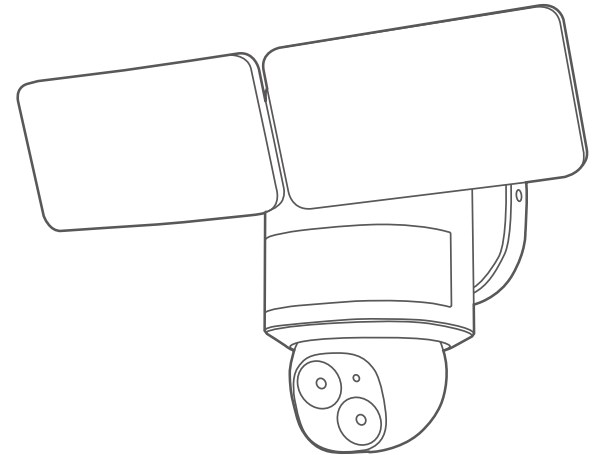




QUICK START GUIDE

Floodlight Cam E340





Anker Innovations Limited. All rights reserved. eufy Security and eufy Security Logo are trademarks of Anker Innovations Limited, registered in the United States and other countries. All other trademarks are the property of their respective owners.

51005004126 V1

SAFETY INSTRUCTIONS

- This equipment is not suitable for use in locations where children are likely to be present. This equipment is not intended for use by children.
- CET ÉQUIPEMENT NE CONVIENT PAS À UNE UTILISATION DANS DES ENDROITS OÙ DES ENFANTS SONT SUSCEPTIBLES D'ÊTRE PRÉSENTS. CET ÉQUIPEMENT N'EST PAS DESTINÉ À ÊTRE UTILISÉ PAR DES ENFANTS.
- Do not use the product in any way other than described herein in order to avoid personal injury or property damage.
- N'utilisez pas le produit d'une autre manière que celle décrite dans les présentes afin d'éviter des blessures corporelles ou des dommages matériels.
- User should comply with the laws and regulations of the corresponding countries and regions where the equipment is located (used), abide by professional ethics, pay attention to safety obligations, and strictly prohibit the use of our products or equipment for any illegal purposes. Our company will not be responsible for any violators' legal liability under any circumstances.
- L'utilisateur doit se conformer aux lois et réglementations des pays et régions correspondants où l'équipement est situé (utilisé), respecter l'éthique professionnelle, prêter attention aux obligations de sécurité et interdire strictement l'utilisation de nos produits ou équipements à des fins illégales. Notre société ne sera en aucun cas responsable de la responsabilité légale des contrevenants.
- An appropriate disconnect device shall be provided as part of

the building installation

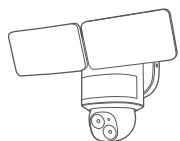
- An all-pole mains switch in accordance with Annex L shall be incorporated in the electrical installation of the building
- Un dispositif de déconnexion approprié doit être prévu dans le cadre de l'installation du bâtiment.
- Un interrupteur secteur tous pôles conforme à l'annexe L est incorporé dans l'installation électrique du bâtiment
- The luminaire intended to be mounted on or over an outlet box and shall be provided with supply conductors long enough to extend 150mm(6 in) into the outlet box.
- Le luminaire doit être monté sur ou au-dessus d'une boîte de sortie et doit être fourni avec des conducteurs d'alimentation suffisamment longs pour s'étendre de 150 mm (6 po) dans la boîte de sortie.
-  Caution, risk of electric shock
-  Attention, risque de choc électrique

THIS PRODUCT MUST BE INSTALLED IN ACCORDANCE WITH THE APPLICABLE INSTALLATION CODE BY A PERSON FAMILIAR WITH THE CONSTRUCTION AND OPERATION OF THE PRODUCT AND THE HAZARDS INVOLVED

CE PRODUIT DOIT ÊTRE INSTALLÉ SELON LE CODE D'INSTALLATION PERTINENT, PAR UNE PERSONNE QUI CONNAÎT BIEN LE PRODUIT ET SON FONCTIONNEMENT AINSI QUE LES RISQUES INHÉRENTS

MIN 90°C SUPPLY CONDUCTORS
LES FILS D'ALIMENTATION 90°C MIN

WHAT'S IN THE BOX



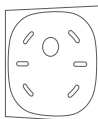
Floodlight Cam E340
Model: T8425



USB Cable
(For Quick Setup Only)



Mounting Bracket
(Pre-installed on
Camera)



Positioning
Sticker



Installation
Hook



Wall Screws
(Bag A)



Base Screws
(Bag B)



Bracket and
Earth Screws
(Bag C)



Warning
Sticker



Quick Start
Guide

WHAT YOU NEED (Not Provided)



#2 or #1 Phillips
Crosshead Screwdriver

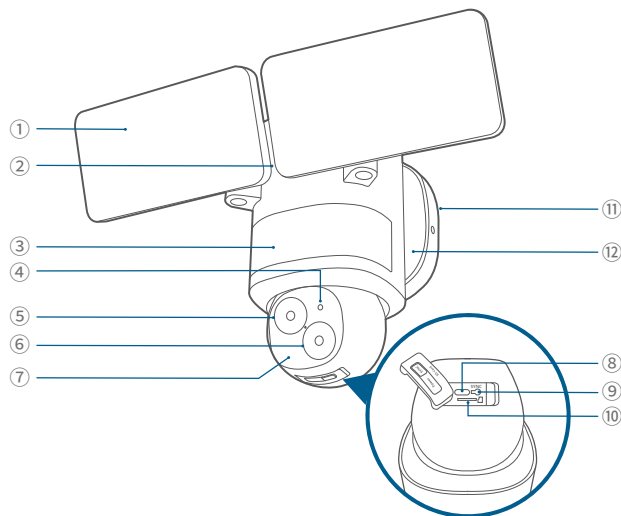


5V/1A USB
Power Adapter



Ladder
(If necessary)

AT A GLANCE



- | | |
|---------------------------|---|
| ① Floodlight | ⑧ Power Input (For Quick Setup) |
| ② Speaker | ⑨ SYNC Button |
| ③ Motion Sensor Component | ⑩ microSD Card Slot |
| ④ System Indicator | Insert a microSD card* (not provided) to store recordings |
| ⑤ Telephoto Camera | ⑪ Mounting Bracket |
| ⑥ Wide Angle Camera | ⑫ Mounting Base |
| ⑦ Infrared Component | |

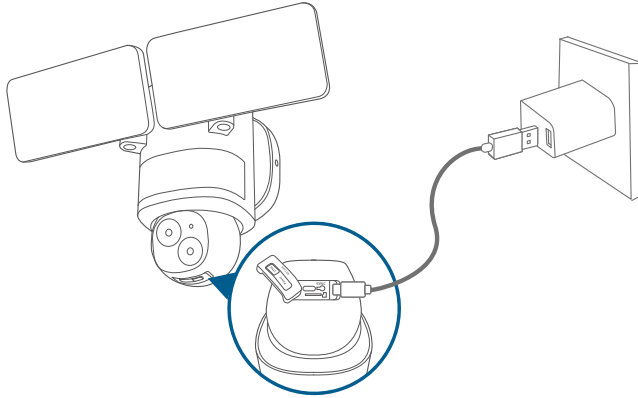
*Use at least a Class 10 microSD card with a maximum of 128 GB.

SETTING UP THE SYSTEM

1. Download and install the eufy Security app, then sign in or create an account.

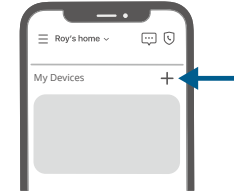


2. Power on the floodlight camera by using the USB-C charging cable and a power adapter (5V/1A, not provided).

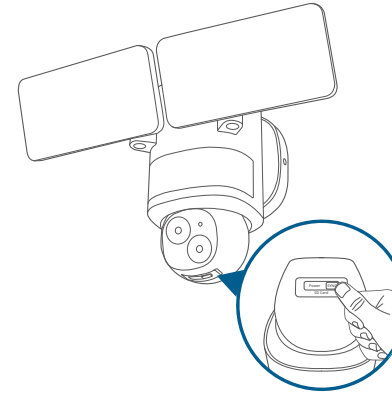


- To avoid scratching the floodlight camera, do not peel off the protective film for the time being.
- The floodlights will only light up when in wired power mode. The USB-powered connection is used for setting up the camera safely inside your home.
- Make sure you can stream video from your floodlight camera **BEFORE INSTALLATION.**

3. Tap + in the app and follow the in-app instructions to add the camera.



4. Disconnect from the power adapter, then close the USB port cover.



The USB port cover must be closed to prevent water from entering the floodlight camera.

PREPARING FOR INSTALLATION (IMPORTANT)

Check local laws for installation

If you are outside of North America, installation and wiring must be performed by a licensed electrician. Always follow code standards when installing wired connections.

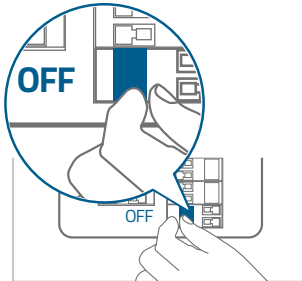
Shut Power Off at the Breaker



Risk of Electrical Shock

- Turn off the power at your circuit breaker or fuse box before continuing, consult with a licensed electrician if needed.
- Switch on/off the lights to make sure the electricity to the installation area is shut off.
- Verify that the power supply is a 100~240 VAC 50/60 Hz power source.
- Keep the breaker off at any time during the installation process.

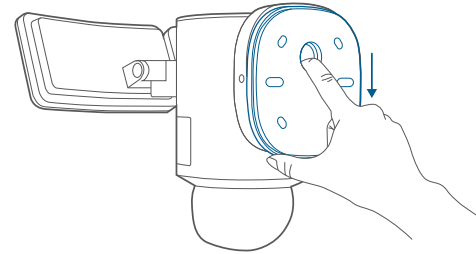
NOTE: Do not use a dimmer switch or timer for this product.



INSTALLING YOUR FLOODLIGHT CAMERA

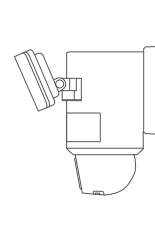
Separate the Mounting Bracket

Separate the mounting bracket from the camera and set it aside for later installation.

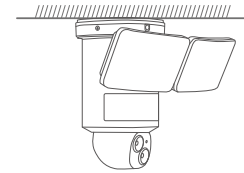


Select a Location

You can mount the floodlight camera vertically on a wall or hang it from a ceiling. With the power off at the breaker, remove the existing floodlight if you have one.

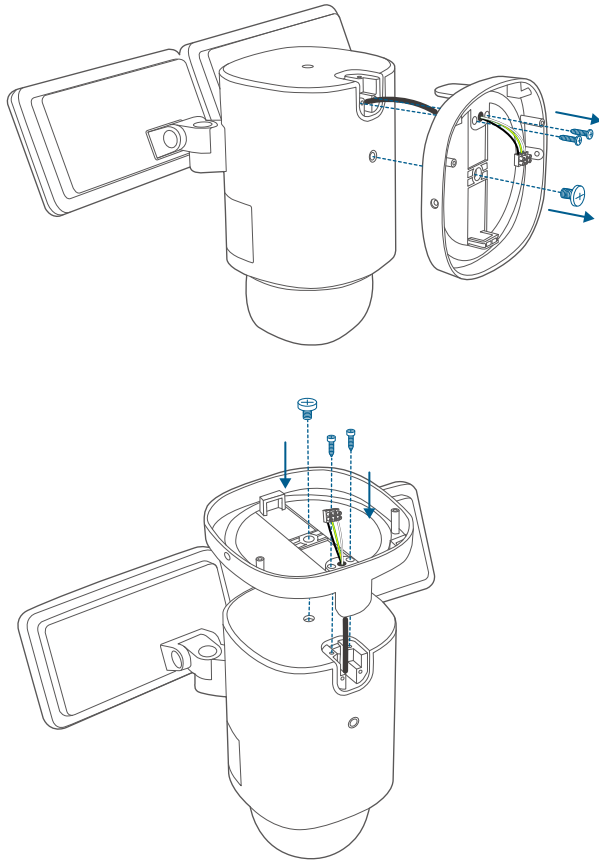


Wall Mounting



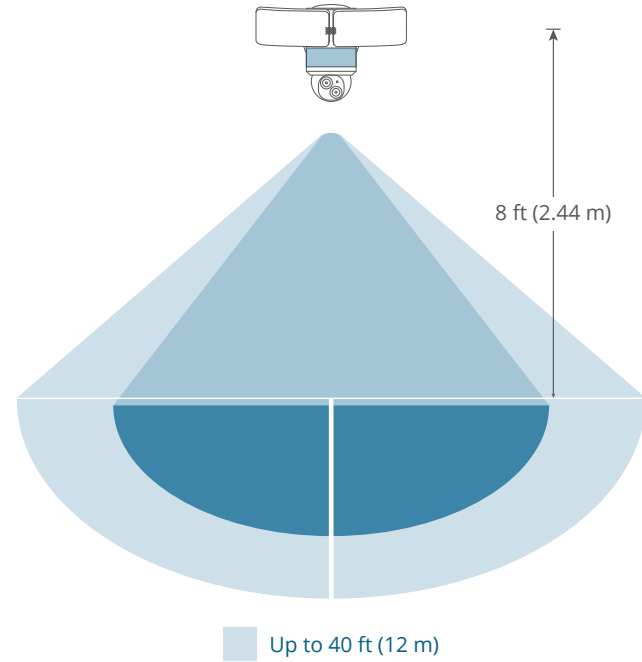
Overhang Mounting

For overhang mounting, reinstall the mounting base first.



Recommended Height

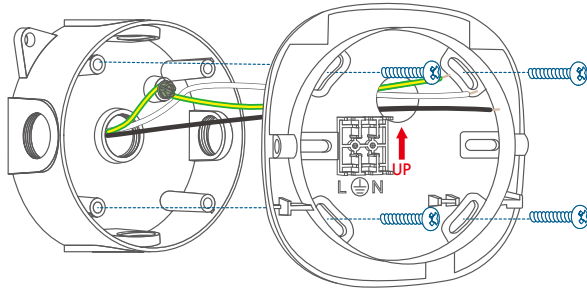
We recommend mounting the camera 8 ft (2.44 m) above the ground to achieve up to 40 ft (12 m) of motion detection range.



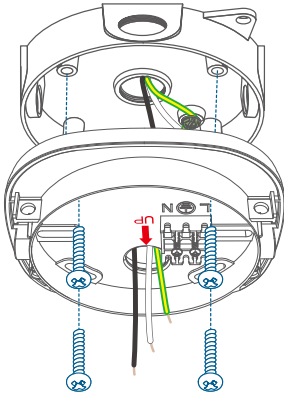
Install the Mounting Bracket

1. Run the existing wires through the hole of the junction box.
2. Hold the mounting bracket onto the junction box, align the screw holes, remove the foam from the holes, then secure the mounting bracket on the wall or ceiling with the **Bracket Screws (Bag C)**.

Wall Mounting

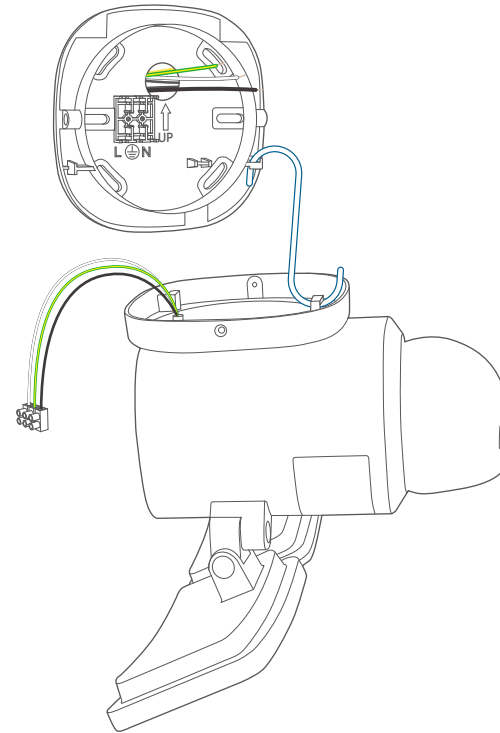


Overhang Mounting



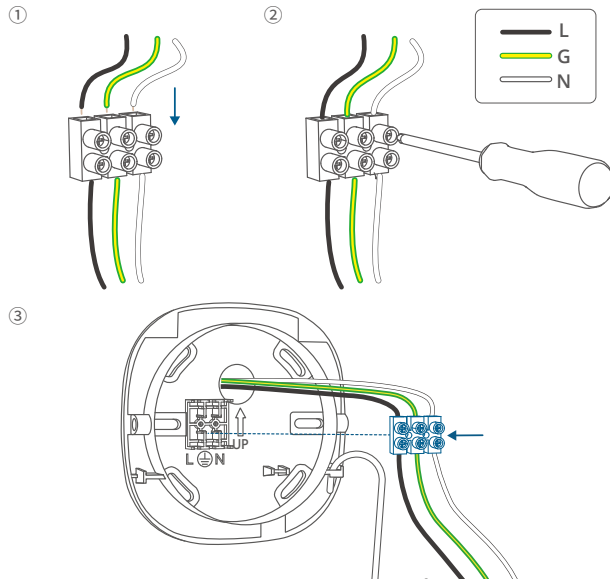
Connect Wires

1. Hang your camera on the bracket with the provided hook while connecting the wires.



2. Separately connect the junction box's ground wire (bare copper / green / green & yellow), live wire (black), and neutral wire (white) to the floodlight camera's ground wire (green & yellow), live wire (black), and neutral wire (white) using wire connectors, then secure the connections with a screwdriver.

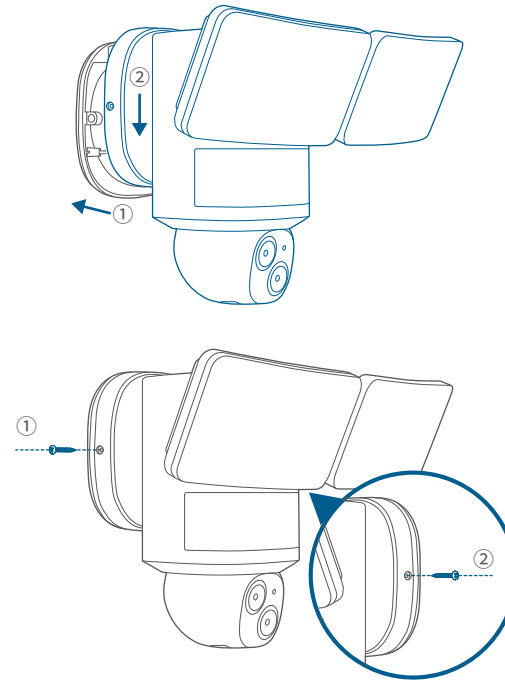
- If the existing ground wire has been connected to the junction box, or if there is no ground wire, connect the floodlight camera's ground wire directly to the junction box or mounting plate.



! Never cross-connect. The wires must be connected with matching colors. If you have problems with the proper operation of the floodlight camera, consult a licensed technician.

Place the Camera on the Mounting Bracket

1. Remove the hook, snap the mounting base onto the mounting bracket, align the holes, and secure it with 2 **Base Screws (Bag B)**.

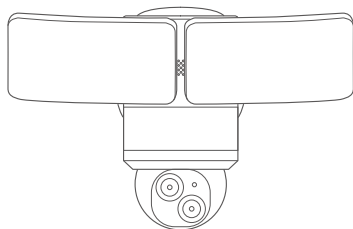
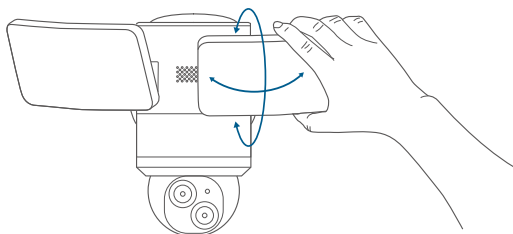


2. Remove the label and protective film from the floodlight.

- **💡** Clean the camera with a lens cleaning cloth.

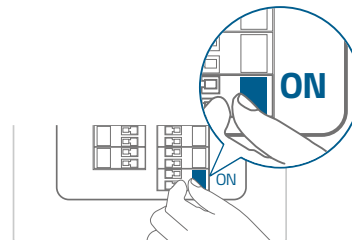
ADJUSTING THE LIGHTING ANGLE

Manually pull up and down or left and right to adjust the floodlight vertically or horizontally.



RESTORING POWER

1. Switch on the main circuit breaker in the house.








In case the floodlight camera is not powered on, switch off the circuit breaker before checking the wiring of the floodlight camera.

2. Now you can access various features and change settings in the eufy Security app.

For troubleshooting, check the Help section in the eufy Security app.

LED LIGHT GUIDE

	Solid Violet	System is initializing
	Solid Blue	Working normally or ready for setup
	Blinking Red	Not connected to the internet
	Solid Red	Recording or the live stream is being viewed
	Flashing Blue and Red	Firmware upgrade in progress <i>Note: Keep the camera connected to a power source</i>

NOTICE

NOTICE (United States of America)

FCC Statement

This device complies with Part 15 of the FCC Rules. Operation is subject to the following two conditions: (1) this device may not cause harmful interference, and (2) this device must accept any interference received, including interference that may cause undesired operation.

Warning: Changes or modifications not expressly approved by the party responsible for compliance could void the user's authority to operate the equipment.

Note: This equipment has been tested and found to comply with the limits for a Class B digital device, pursuant to Part 15 of the FCC Rules. These limits are designed to provide reasonable protection against harmful interference in a residential installation.

This equipment generates uses and can radiate radio frequency energy and, if not installed and used in accordance with the instructions, may cause harmful interference to radio communications. However, there is no guarantee that interference will not occur in a particular installation. If this equipment does cause harmful interference to radio or television reception, which can be determined by turning the equipment off and on, the user is encouraged to try to correct the interference by one or more of the following measures: (1) Reorient or relocate the receiving antenna. (2) Increase the separation between the equipment and receiver. (3) Connect the equipment into an outlet on a circuit different from that to which the receiver is connected. (4) Consult the dealer or an experienced radio/TV technician for help.

FCC Radio Frequency Exposure Statement

The device has been evaluated to meet general RF exposure requirements. The device can be used in fixed/mobile exposure condition. The min separation distance is 20cm.

Notice: Shielded cables

All connections to other computing devices must be made using shielded cables to maintain compliance with FCC regulations.

The following importer is the responsible party

Company Name: POWER MOBILE LIFE, LLC

Address: 10900 NE 8th St, Ste 501, Bellevue WA 98004

Telephone:1-800-988-7973

NOTICE (Canada)

IC Statement

This device complies with Industry Canada licence-exempt RSS standard(s).

Operation is subject to the following two conditions:

(1) this device may not cause interference, and

(2) this device must accept any interference, including interference that may cause undesired operation of the device.

Le présent appareil est conforme aux CNR d'Industrie Canada applicables aux appareils radio exempts de licence. L'exploitation est autorisée aux deux conditions suivantes:

(1) l'appareil ne doit pas produire de brouillage, et

(2) l'utilisateur de l'appareil doit accepter tout brouillage radioélectrique subi, même si le brouillage est susceptible d'en compromettre le fonctionnement.

This Class B digital apparatus complies with Canadian ICES-003.

Cet appareil numérique de la classe B est conforme à la norme NMB-003 du Canada.

IC RF Statement

When using the product, maintain a distance of 20cm from the body to ensure compliance with RF exposure requirements.

Lors de l'utilisation du produit, maintenez une distance de 20 cm du corps afin de vous conformer aux exigences en matière d'exposition RF.

5150~5250 MHz can be used indoor only.

5150~5250 MHz peut être utilisé à l'intérieur uniquement.

NOTICE (Australia)

Do not use the Device in the environment at too high or too low temperature, never expose the Device under strong sunshine or too wet environment.

The suitable temperature for the device and accessories is -20°C to 40°C.

It is recommended to supply the device in an environment with a temperature that ranges from 5°C~25°C.

When supplying, please place the device in an environment that has a normal room temperature and good ventilation.



Your product is designed and manufactured with high-quality materials and components, which can be recycled and reused.



This symbol means the product must not be discarded as household waste and should be delivered to an appropriate collection facility for recycling. Proper disposal and recycling help protect natural resources, human health, and the environment. For more information on the disposal and recycling of this product, contact your local municipality, disposal service, or the shop where you bought this product.

Anker Innovations Limited | Room 1318-19, Hollywood Plaza, 610 Nathan Road, Mongkok, Kowloon, Hong Kong



The Bluetooth® word mark and logos are registered trademarks owned by the Bluetooth SIG, Inc. and any use of such marks by Anker Innovations Limited is under license. Other trademarks and trade names are those of their respective owners.

Customer Service



12-month limited warranty



(US) +1 (800) 988-7973

(UK) +44 (0) 1604 936200

(DE) +49 (0) 69 9579 7960

(中国) +86 400 0550 036

(日本) +81 03 4455 7823

(AU) +61 3 8331 4800

(Egypt) +20 8000000826

(UAE) +971 8000320817

(Kuwait) +965 22069086

(Saudi Arabia) +966 8008500030



support@eufylife.com

Anker Innovations Limited

Room 1318-19, Hollywood Plaza, 610 Nathan Road, Mongkok, Kowloon, Hong Kong



@EufyOfficial



@EufyOfficial



@EufyOfficial