

# A letter of recognition

DESCRIBE: Anker Innovations Co., LTD (T8142-R)

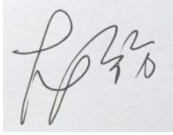
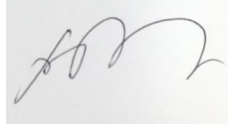
Customer NO: \_\_\_\_\_

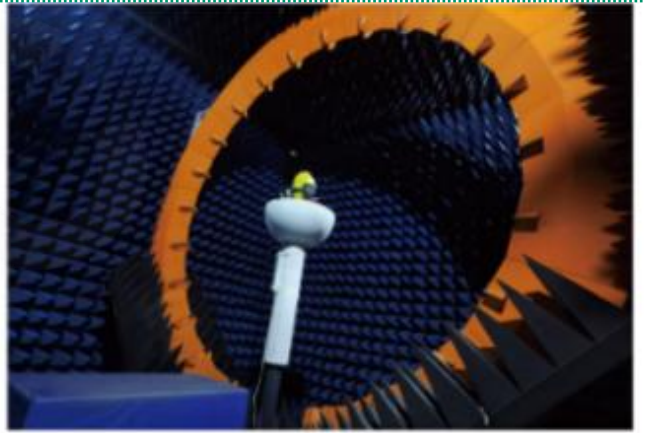
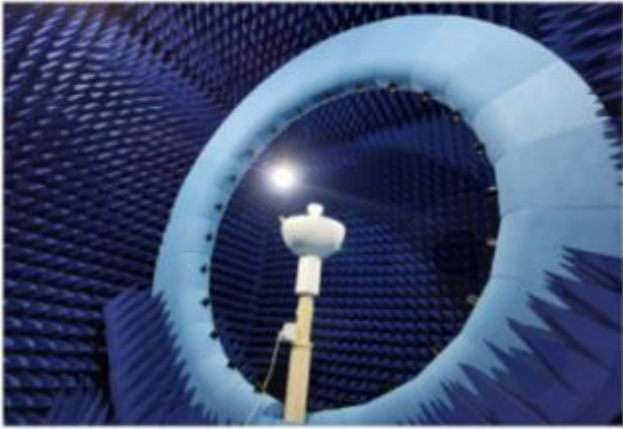
PART NO: ATC1377-HY056B04RA

Antenna type: 2.4G FPC ANT

DATE: 2023. 02. 28

PROVIDER: AT&C TECHNOLOGIES(SHENZHEN) CO. LTD

		ID Department	Test department	Structure section	Quality department
Customer Admit	confirm				
Supplier Admit	confirm	confirm	Proofreading	To examine	Approval
			zhang wanzhe	Xuliyang	



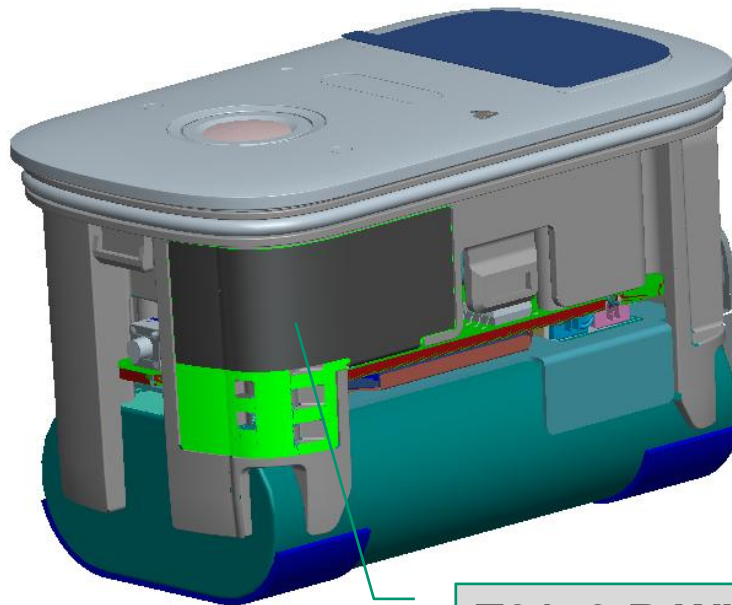
We have RF equipments as below

Anechoic Chambe

- Satimo 1ea
- SY24 1ea
- SAR 1ea
- KSS 2ea

Measurement

- 2G, 3G, 4G
- GPS
- Wifi
- Bluetooth(3.0) OTA
- NFC & WPC



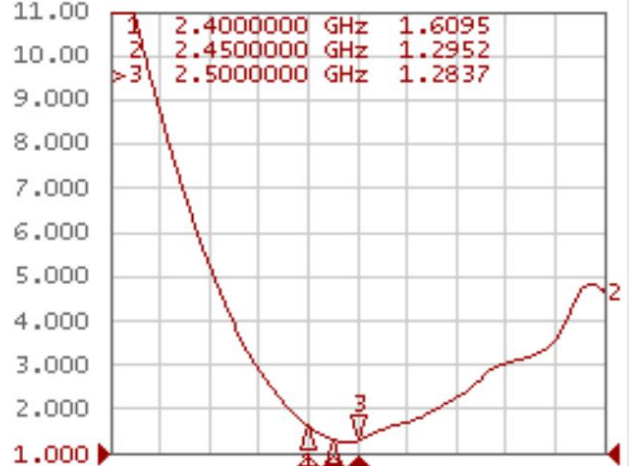
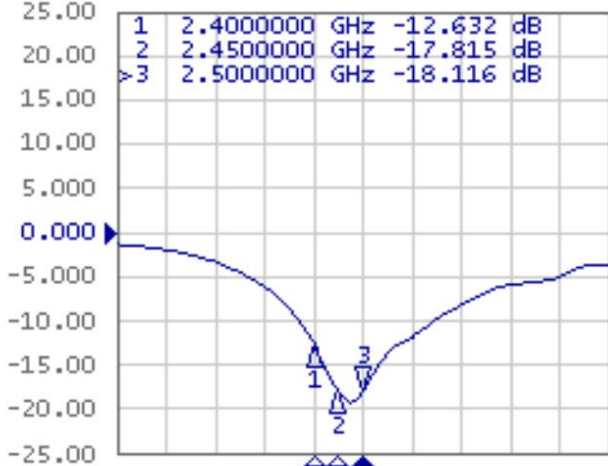
T8142-R WIFI-ANT

# Antenna S11

1 Active Ch/Trace 2 Response 3 Stimulus 4 Mkr/Analysis 5 Instr State

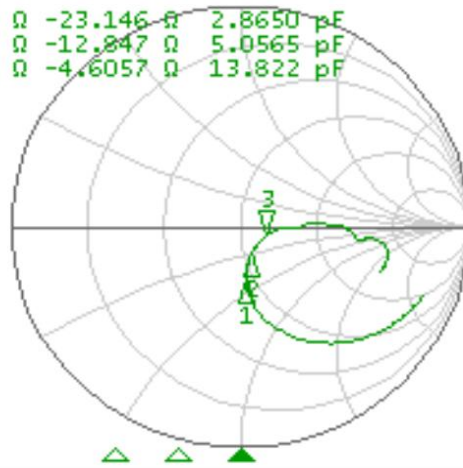
▶ Tr1 S11 Log Mag 5.000dB/ Ref 0.000dB [F1]

Tr2 S11 SWR 1.000/ Ref 1.000 [F1]



Tr3 S11 Smith (R+jX) Scale 1.000U [F1]

Point	Frequency (GHz)	R (Ω)	X (Ω)	Cap (pF)
1	2.4000000	47.138	-23.146	2.8650
2	2.4500000	54.118	-12.847	5.0565
>3	2.5000000	63.313	-4.6057	13.822



1 Start 2 GHz

IFBW 70 kHz

Stop 3 GHz

PExt C?

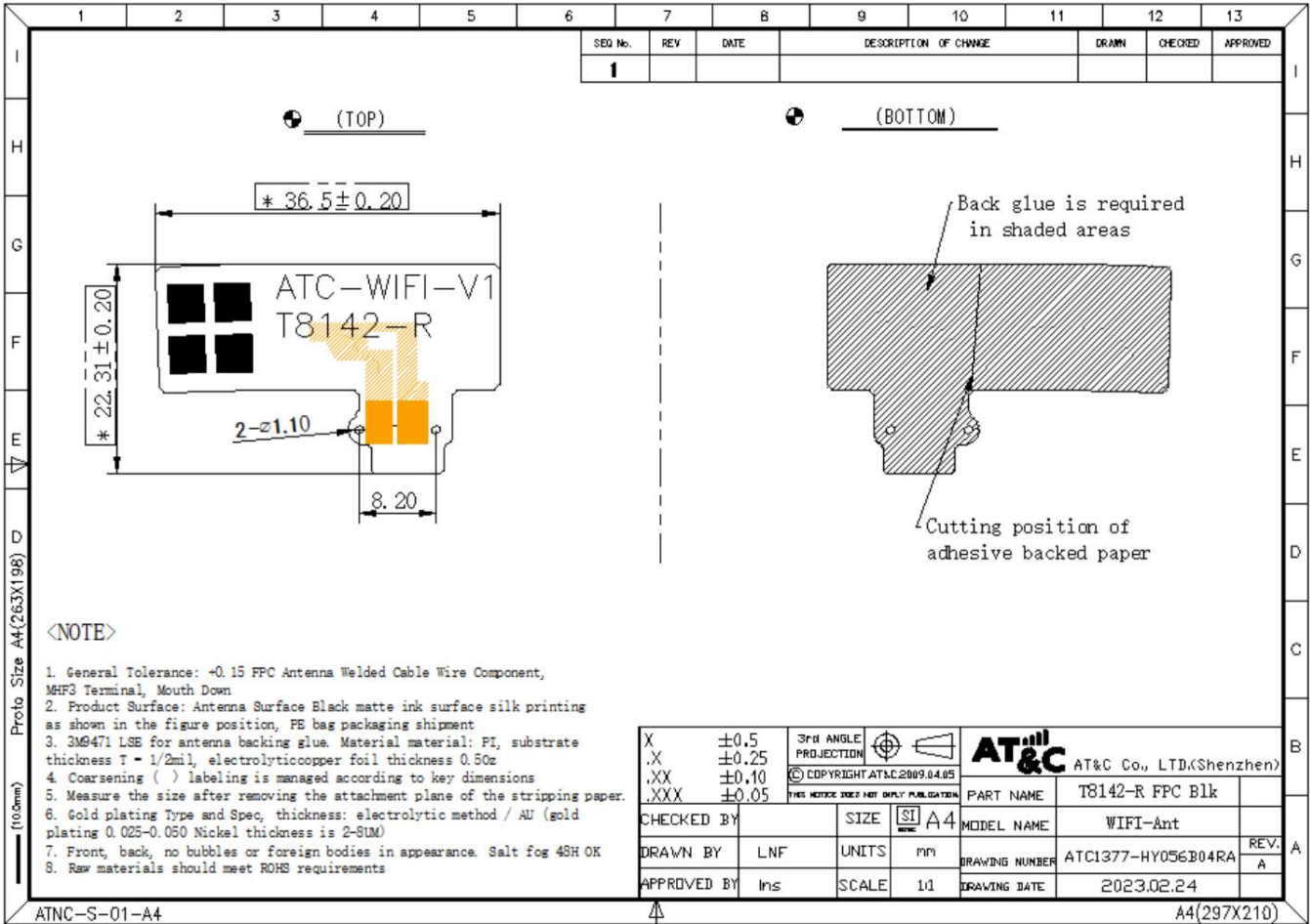
Hold Stop ExtRef Ready Sv

**Antenna \*Efficiency**

Frequency	Efficiency	dBi
2400	68%	2.71
2410	68%	2.67
2420	67%	2.58
2430	66%	2.49
2440	65%	2.51
2450	65%	2.49
2460	65%	2.32
2470	66%	2.36
2480	68%	2.72
2490	70%	2.91
2500	65%	2.65

Channels	TRP	TIS
2.412 GHz	20.24	-83.82
2.437 GHz	20.35	-83.65
2.462 GHz	20.05	-83.77



# Antenna Draw



Size information					Measuring sample			% Tolerance		Handling opinions			Measuring tool
number	Dimension property	Dimension	Lower tolerance	Upper tolerance	1	2	3	Upper	Lower	determine	Supplier review comments	Customer review comments	
1	key point	36.5	-0.20	0.20	36.41	36.37	36.39			PASS			PJ
2	key point	22.31	-0.20	0.20	22.25	22.26	22.30			PASS			PJ
3	key point	8.20	-0.10	0.10	8.18	8.20	8.18			PASS			PJ
3	key point	1.10	-0.10	0.10	1.11	1.12	1.10			PASS			PJ



### Salt spray test report

Item name	FPC ANT	Item type	ATC-1377	models	T8142-R
The experimental class	Salt spray test	Number of items	5 pcs	The researchers	Zhangxuemei
The experiment	Sample reliability verification				
Experimental conditions	<p>Brine concentration for 5 plus or minus 1%, salt water barrels and the temperature of the laboratory to 35 + 2 °C, saturated air barrel temperature to 47 + 2 °C, PH: 6.5-7.5 KGF/cm2, spray quantity: 1-2 ml / 1 hr / 80 cm2, test time 48 h.</p> <p>Specific reference GBT 10125-1997 standard</p>				
Note:					
The experiment on	《Inspection standard for plated parts》				
The equipment used:	Salt spray test chamber				
The experiment					
After the experiment					
The experimental conclusion:	After the test, clean water was rinsed and the surface of the shrapnel was not oxidized, discolored or blackened for 2H;				
Tester/date: ren kangyong 2023.02.24			Audit: Pengguangliang		

# Packaging method

PE bag packaging, product emission neat, uniform quantity



Picture: Outer box "I" seal, QC PASS seal on the left side of the outer box, sealed without exposure.



## PART LIST

The packing drawing is schematic diagram, which does not mean that the picture is the actual product and the actual shipment is the standard.

NO	DESCRIPTION	Q'TY	MATERIAL	REMARKS	REV.
1	ANTENNA	1/1000		N/A	A
2	PAD OUT	1/4	SW A골 5T	N/A	A
4	CARTOON BOX	-	SW A골 5T	N/A	A
5	PACKING TAPE	-	PP	N/A	A