

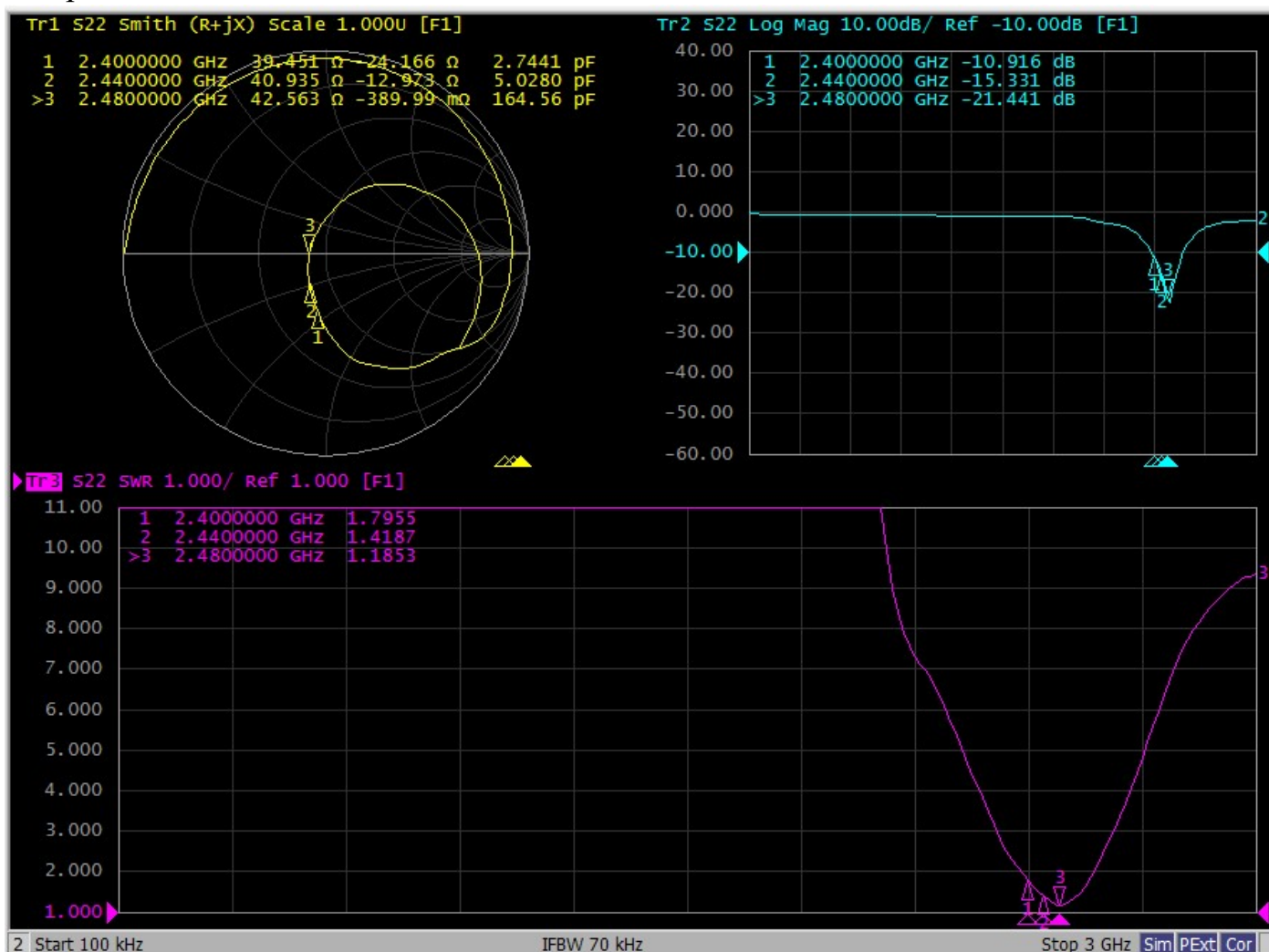


I: The report of passive data

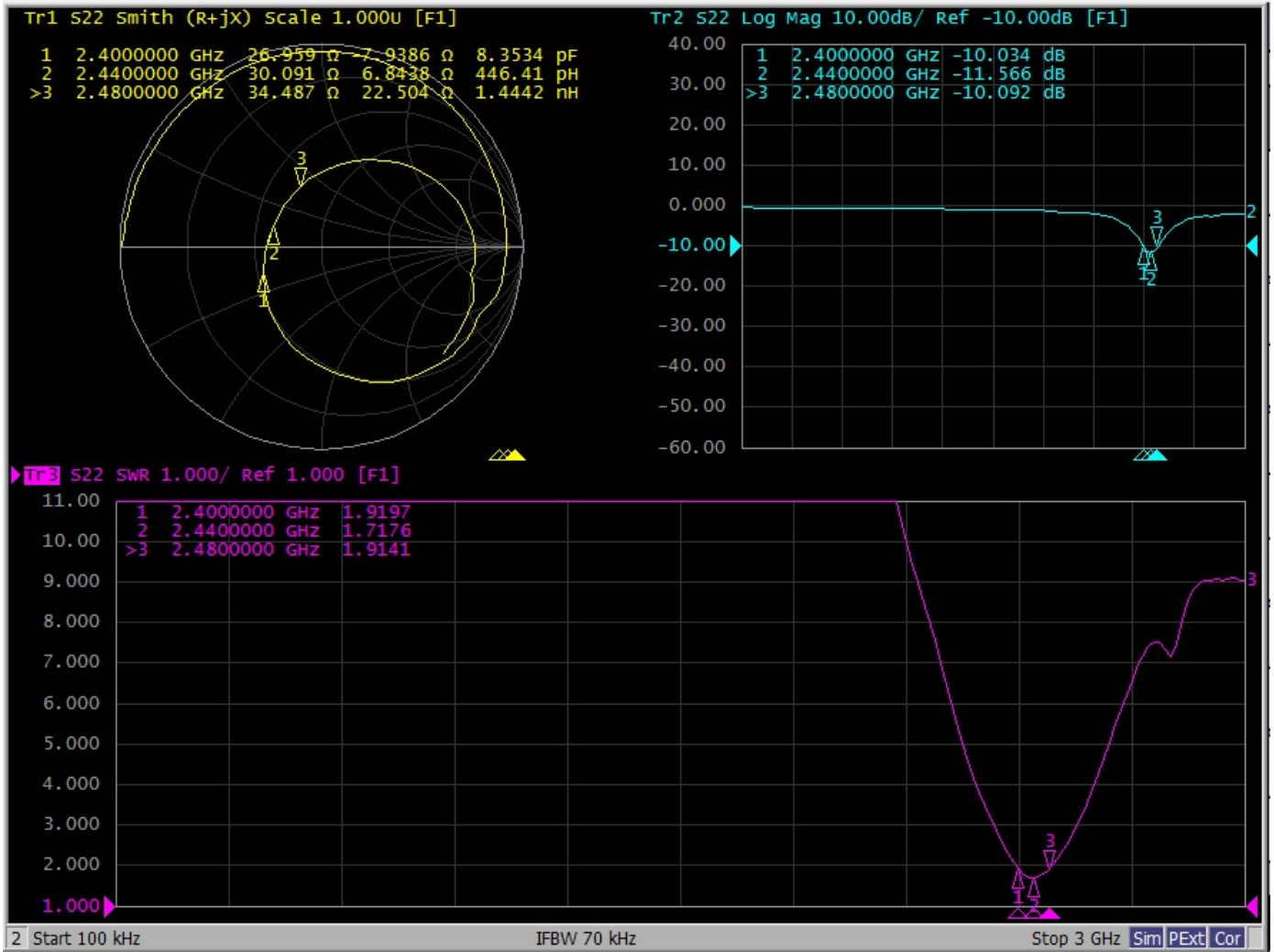


Agilent E5071C

S11 parameter (L) :



S11 parameter (R) :



Efficiency:

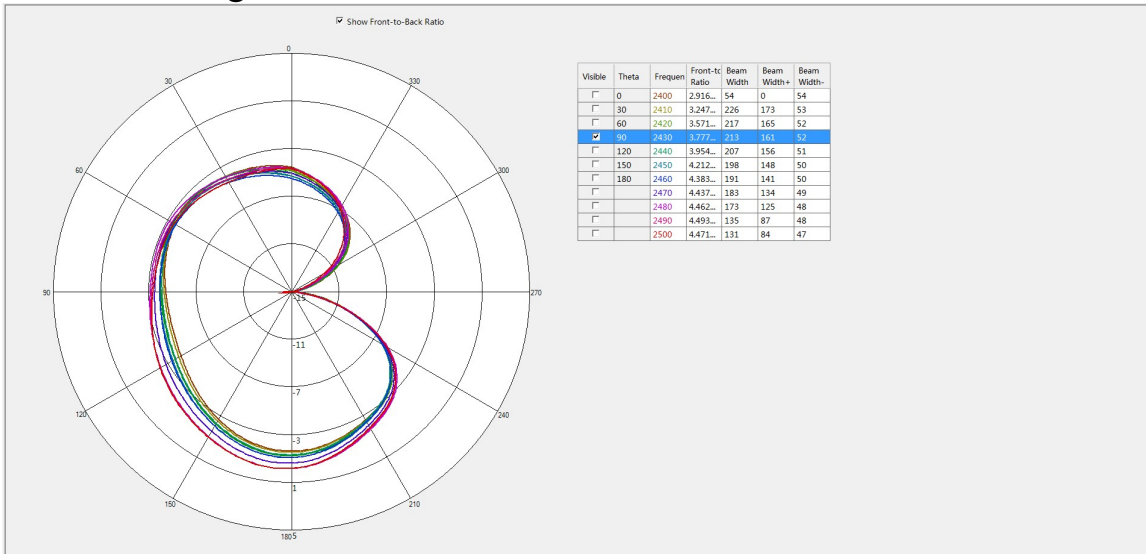
L			
Frequency (MHz)	Gain (dBi)	Efficiency (dB)	Efficiency
2400	-1.18	-4.55	35.08%
2410	-1.02	-4.52	35.35%
2420	-0.84	-4.45	35.91%
2430	-0.91	-4.54	35.15%
2440	-0.96	-4.66	34.19%
2450	-0.67	-4.50	35.45%
2460	-0.68	-4.58	34.81%
2470	-0.34	-4.25	37.61%
2480	-0.13	-4.11	38.84%
Average value	-0.75	-4.46	35.82%

R			
Frequency (MHz)	Gain (dBi)	Efficiency (dB)	Efficiency
2400	-1.40	-4.78	33.26%
2410	-1.36	-4.85	32.71%
2420	-1.44	-4.92	32.18%
2430	-1.18	-4.77	33.37%
2440	-1.08	-4.79	33.22%
2450	-0.52	-4.50	35.48%
2460	-0.12	-4.31	37.07%
2470	-0.25	-4.48	35.62%
2480	-0.31	-4.57	34.94%
Average value	-0.85	-4.66	34.20%

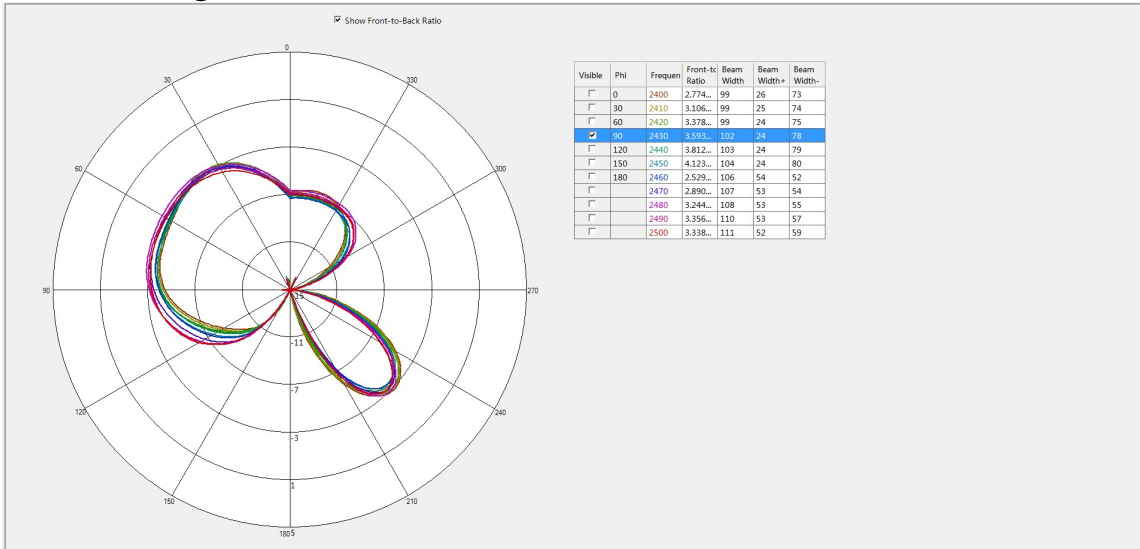


Antenna radiation pattern (L) :

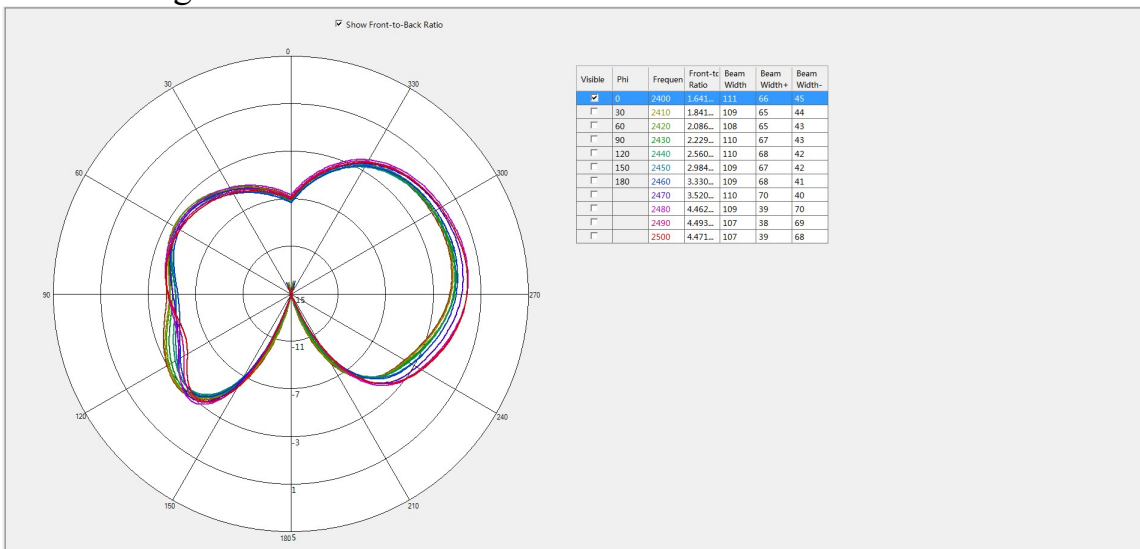
Theta=90.00deg



Phi=90.00deg



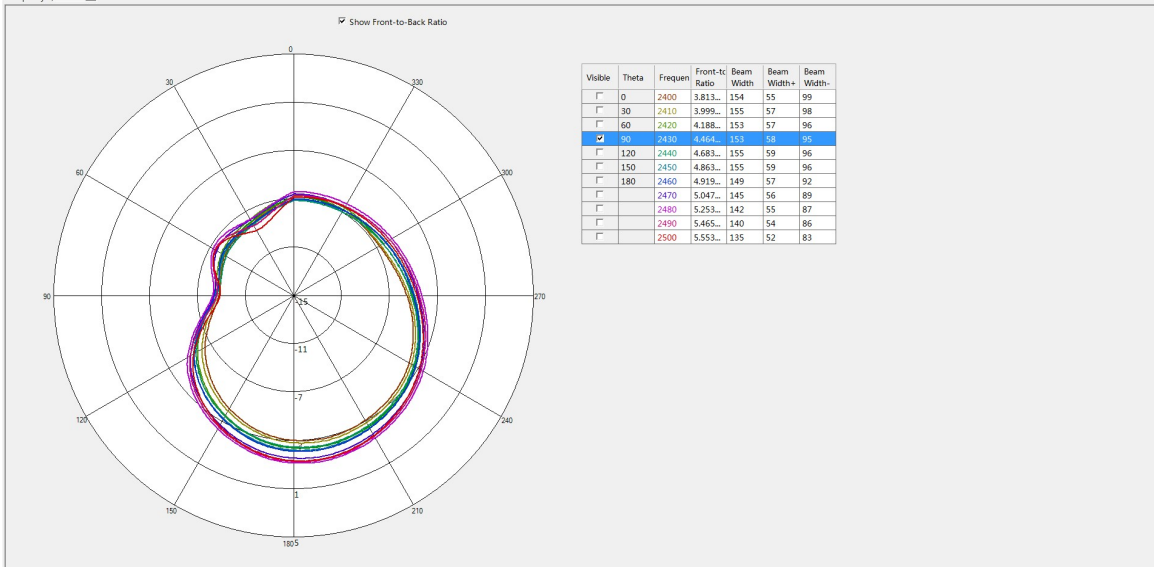
Phi=0.00deg



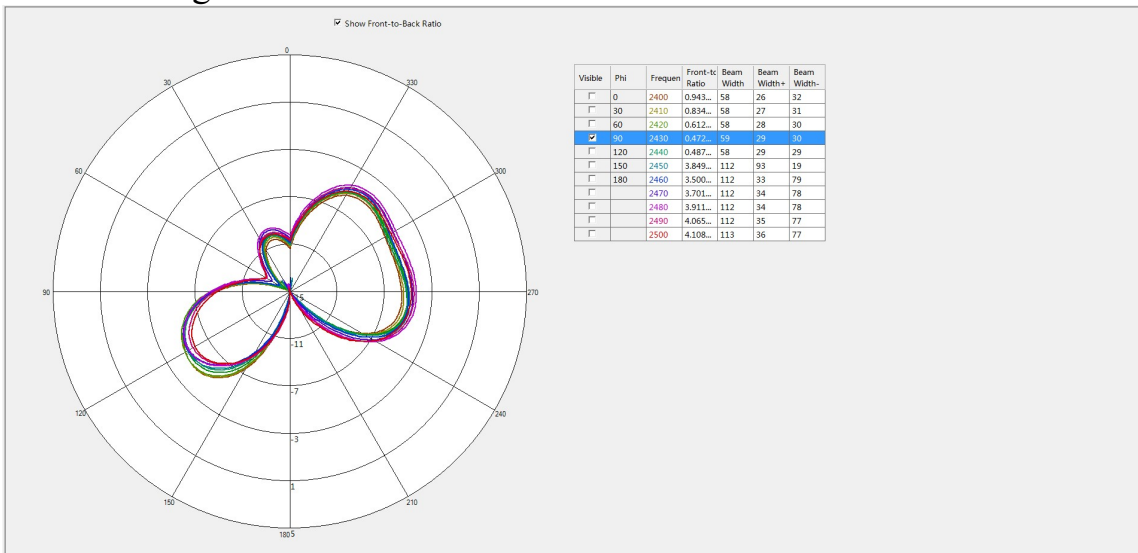


Antenna radiation pattern (R) :

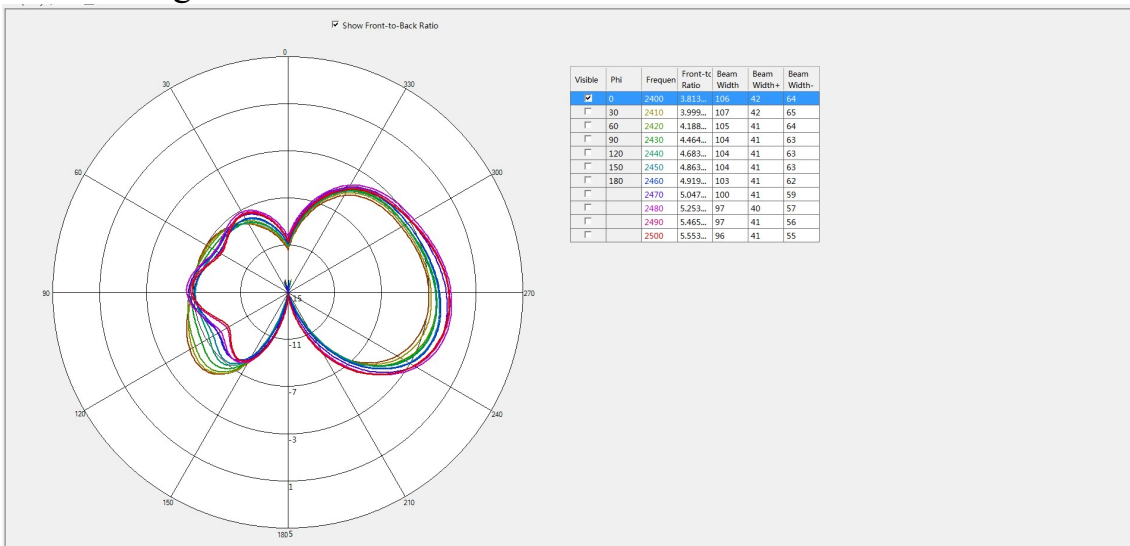
Theta=90.00deg



Phi=90.00deg

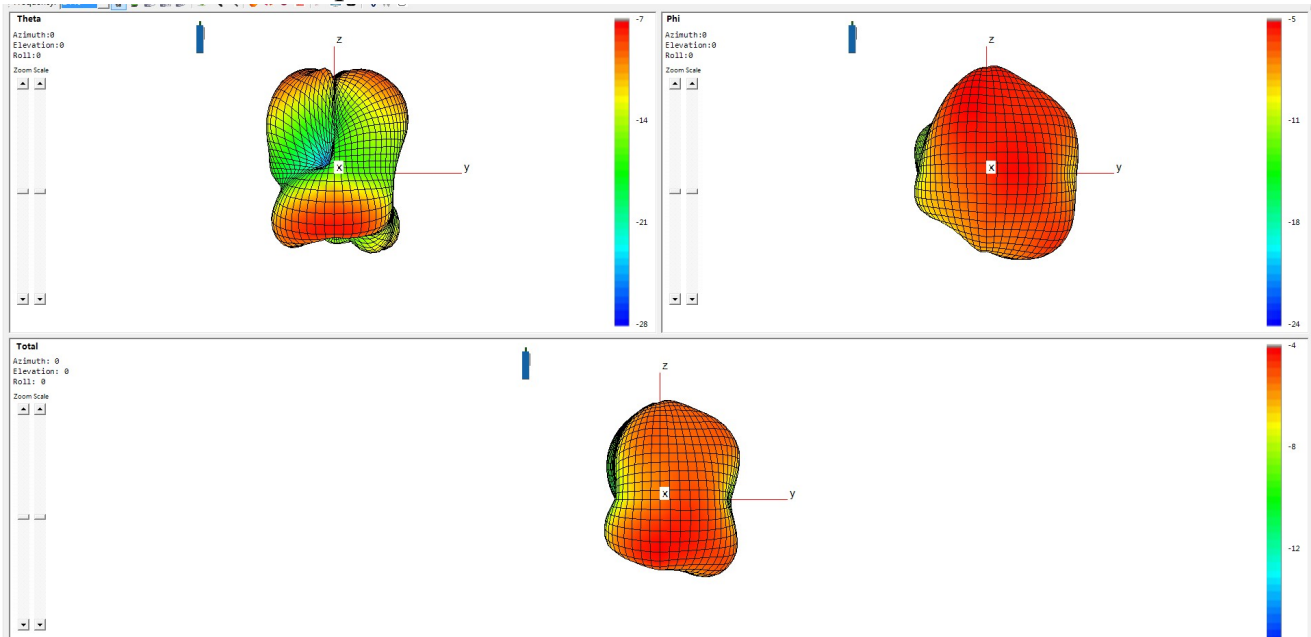


Phi=0.00deg

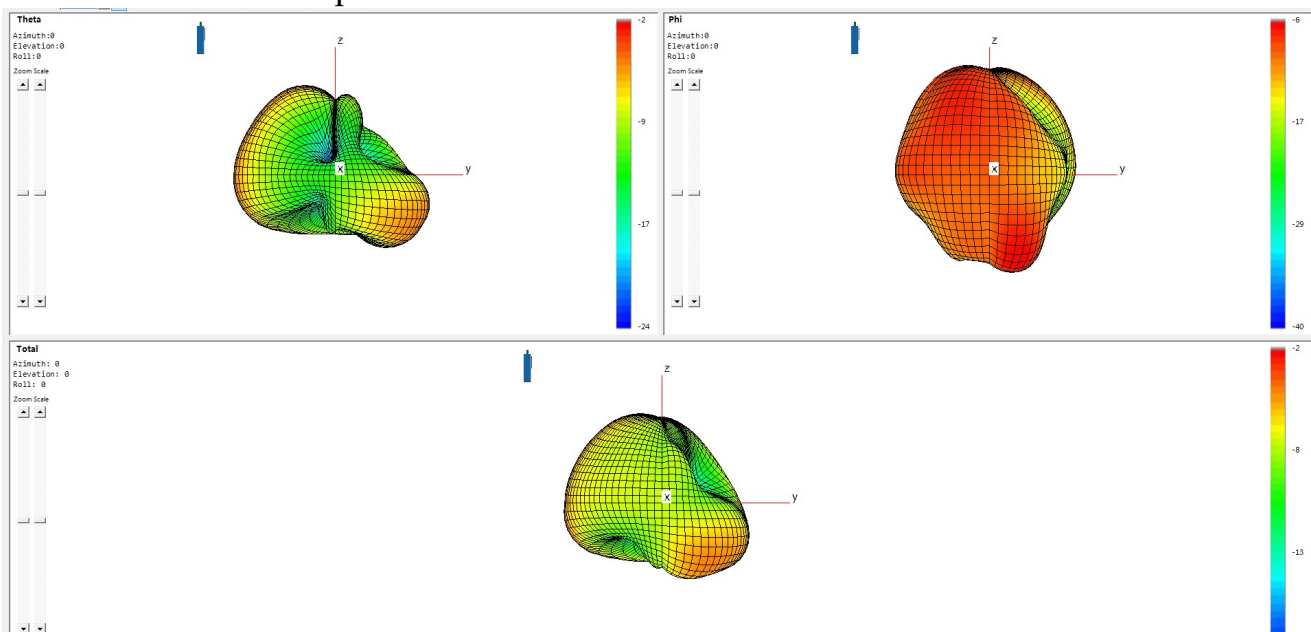




3D Antenna radiation pattern (L) :

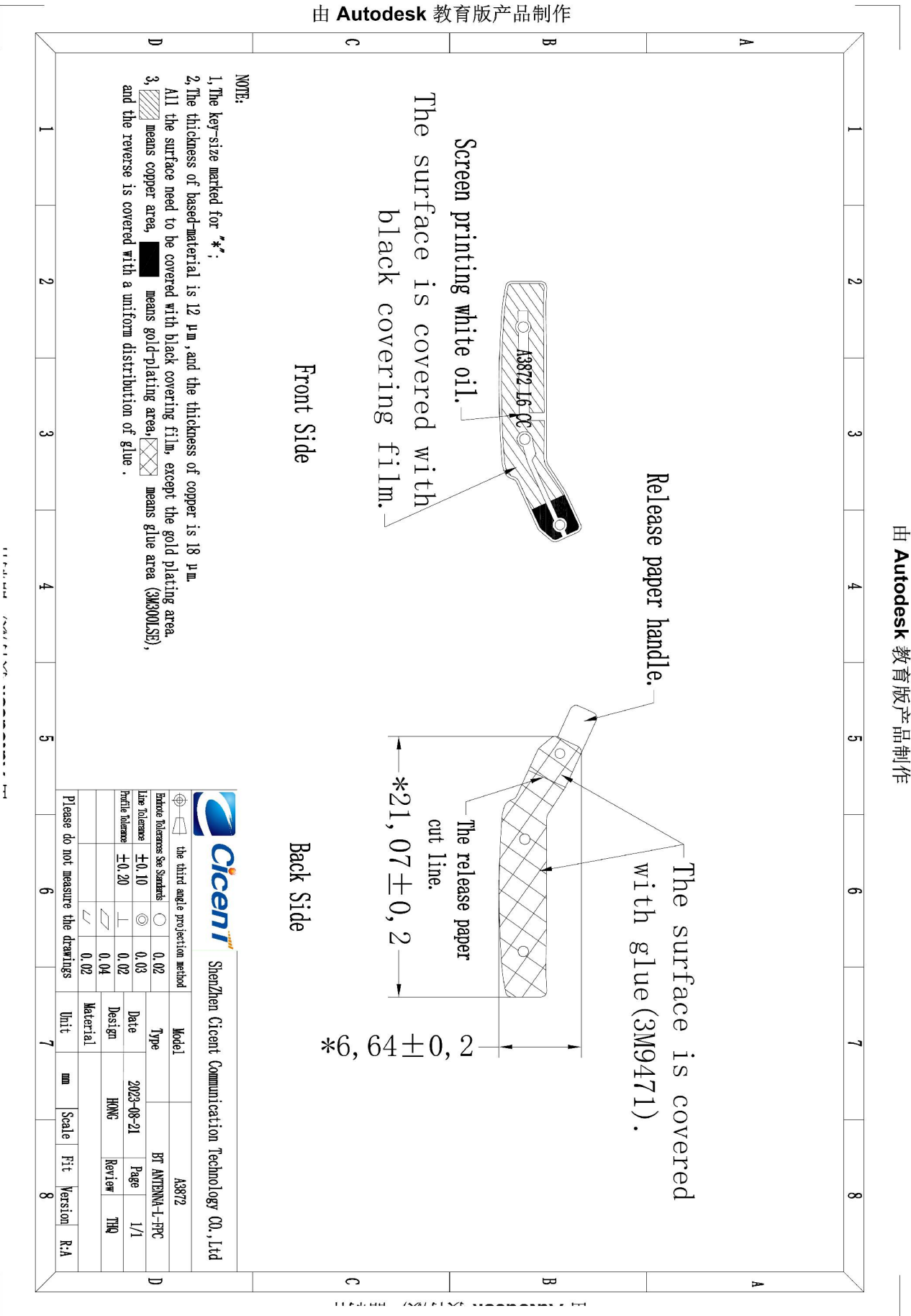


3D Antenna radiation pattern (R) :

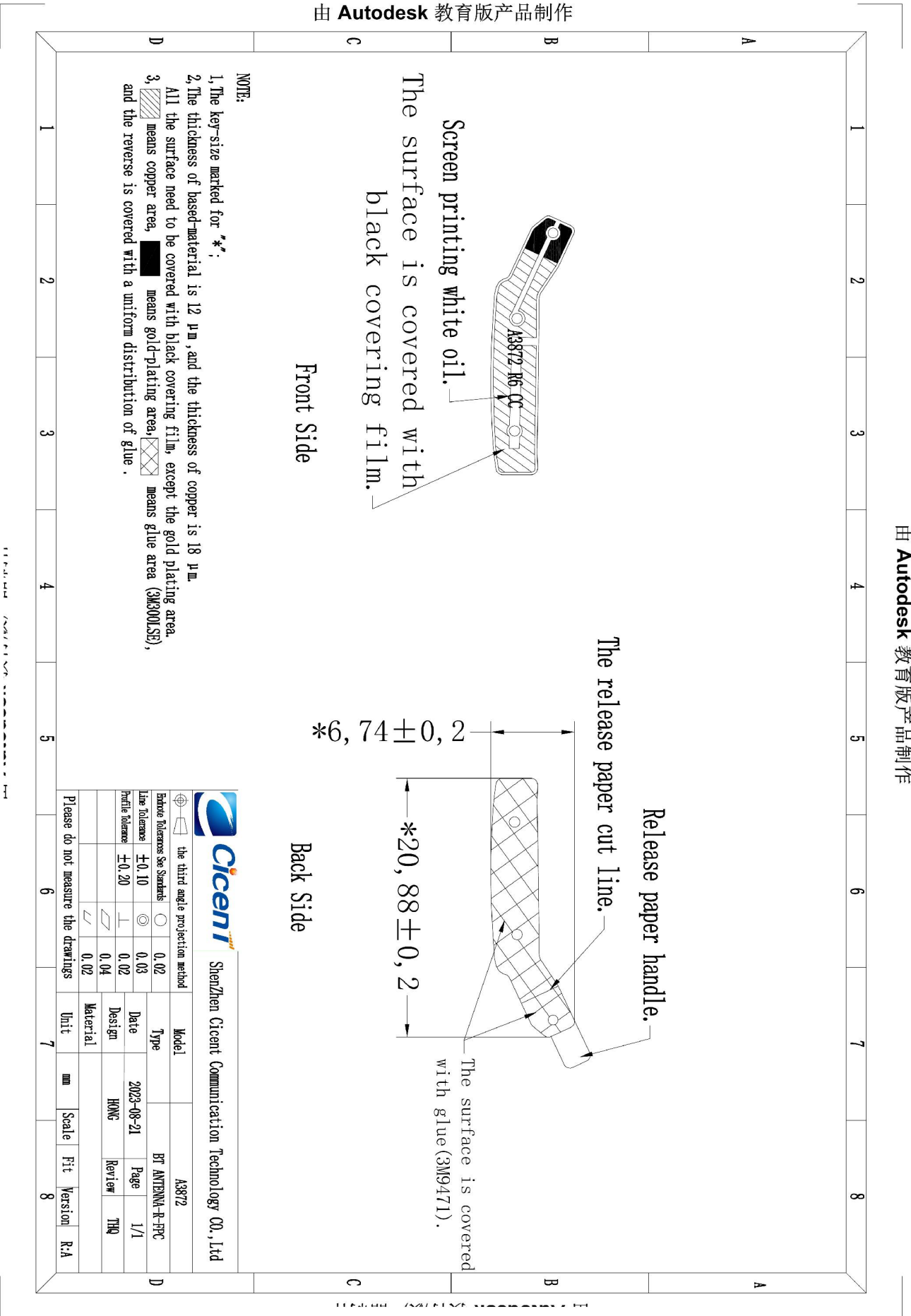




IV: Structure file:



由 Autodesk 教育版产品制作



由 Autodesk 教育版产品制作

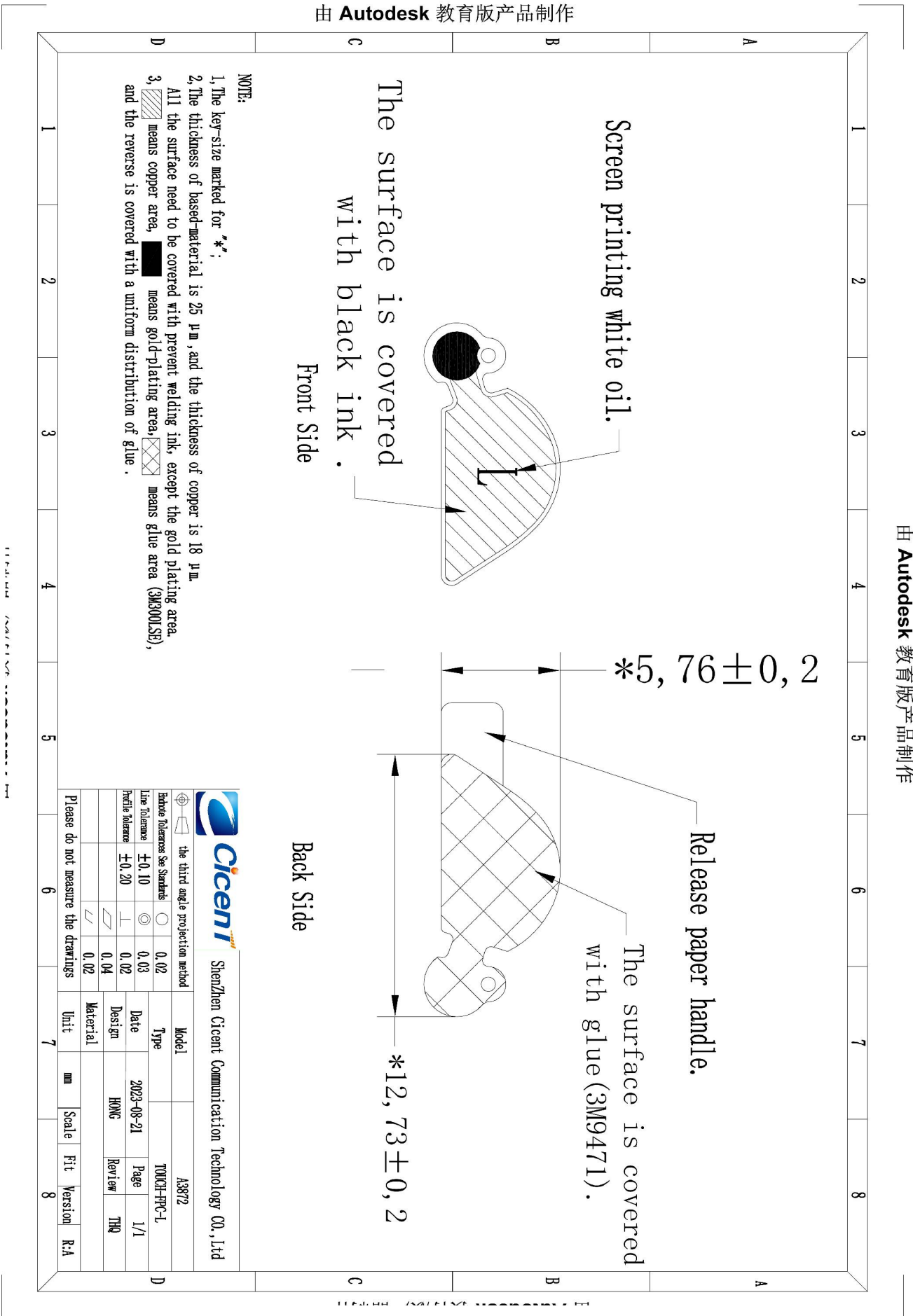
Front Side

Back Side

		the third angle projection method	
Model: A3872		BT ANTENNA-R-FPC	
Date: 2023-08-21		Page: 1/1	
Design: HONG		Review: THQ	
Material:			
Please do not measure the drawings		Unit: mm	Scale: Fit
		Version: R:A	



由 Autodesk 教育版产品制作

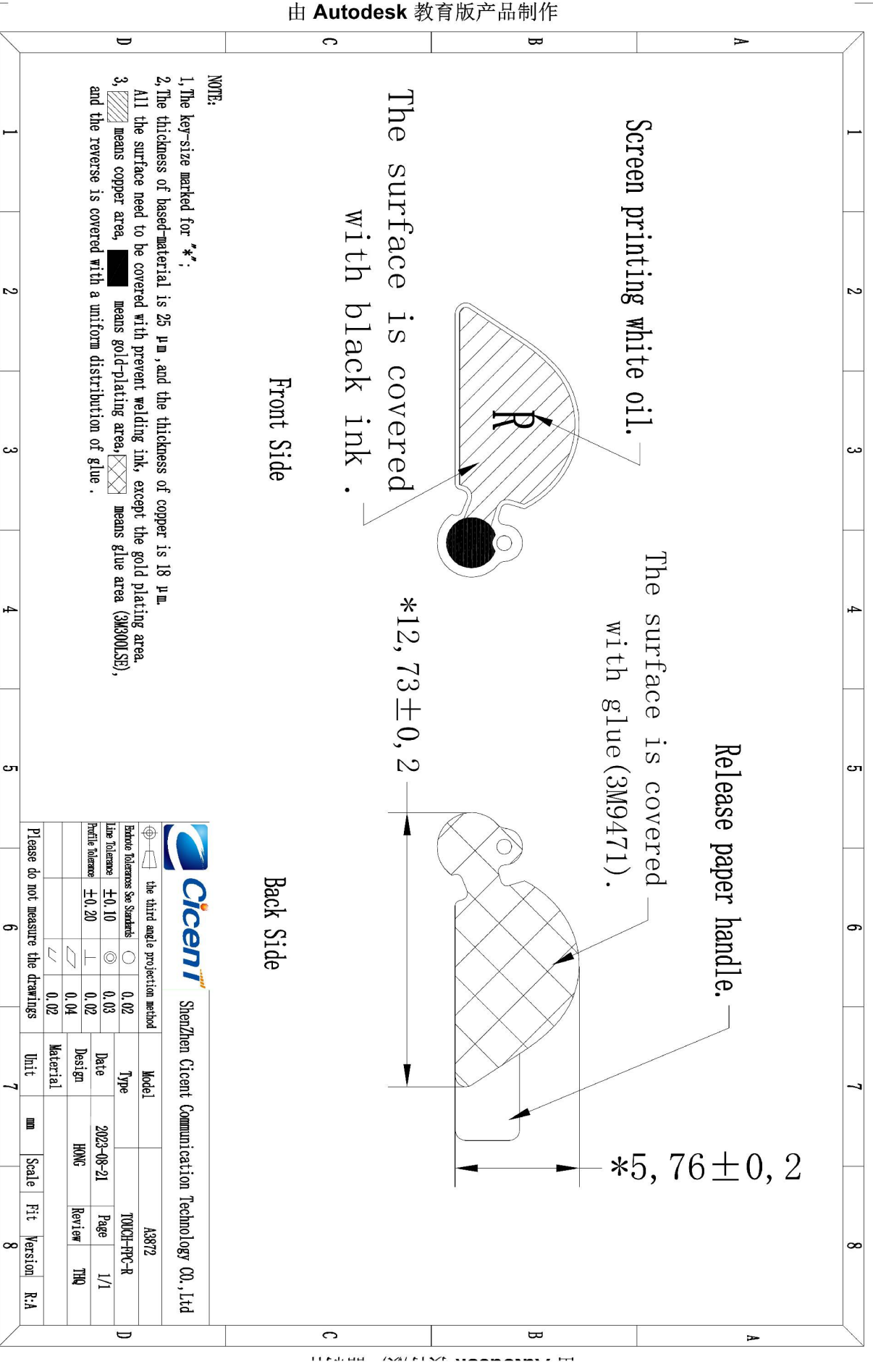


	the third angle projection method		ShenZhen Cicent Communication Technology CO., Ltd	
	Surface texture See Standards		Model	A3872
	Line tolerance	± 0.10	Type	TOUCH-PPC-L
	Profile tolerance	± 0.20	Date	2023-08-21
			Design	HONG
			Material	Review
				THQ
			Unit	mm
			Scale	Fit
			Version	1/1
			R.A	THQ

Please do not measure the drawings



由 Autodesk 教育版产品制作



由 Autodesk 教育版产品制作

- NOTE:
- 1, The key-size marked for "R";
 - 2, The thickness of based-material is 25 μm , and the thickness of copper is 18 μm .
 - 3, All the surface need to be covered with prevent welding ink, except the gold plating area.
- means copper area, means gold-plating area, (3M300SE),
 means copper area, means glue area (3M300SE),
 and the reverse is covered with a uniform distribution of glue.

	the third angle projection method		Model	A3872
	Shenzhen Cicent Communication Technology Co., Ltd		Type	TOUCH-PPC-R
Dimension Tolerance	See Standards	$\pm 0, 10$	Date	2023-08-21
Profile Tolerance		$\pm 0, 20$	Design	HONG
			Material	
			Unit	mm
			Scale	1:1
			Fit	Version
				R.A

Please do not measure the drawings