

D

C

B

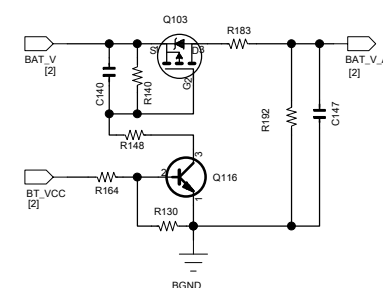
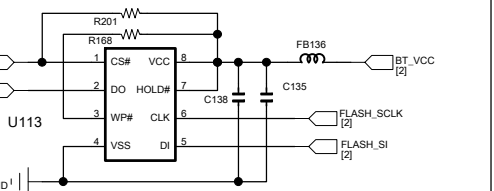
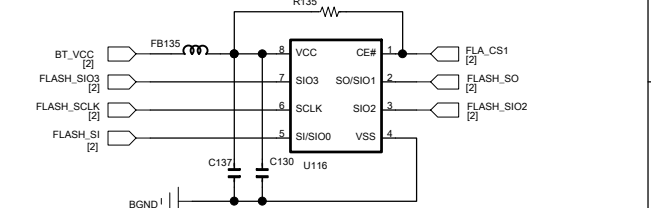
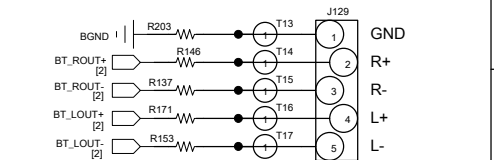
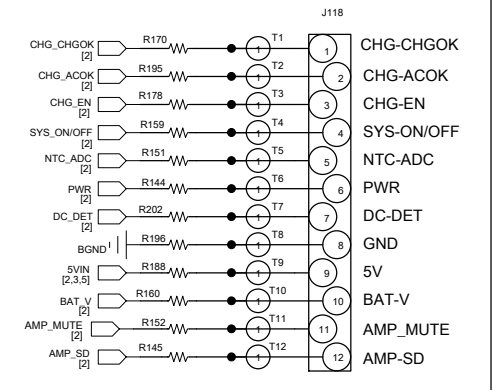
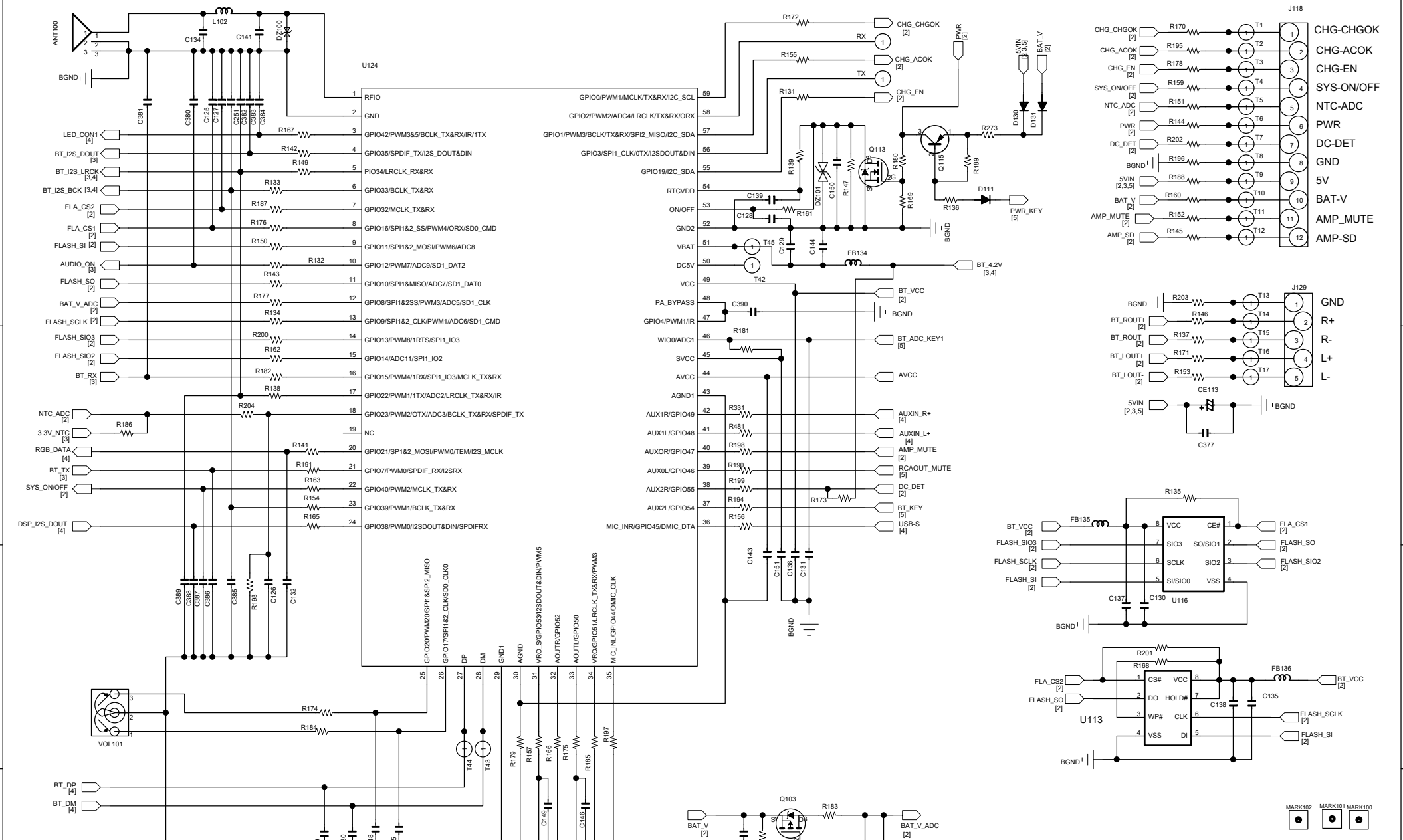
A

D

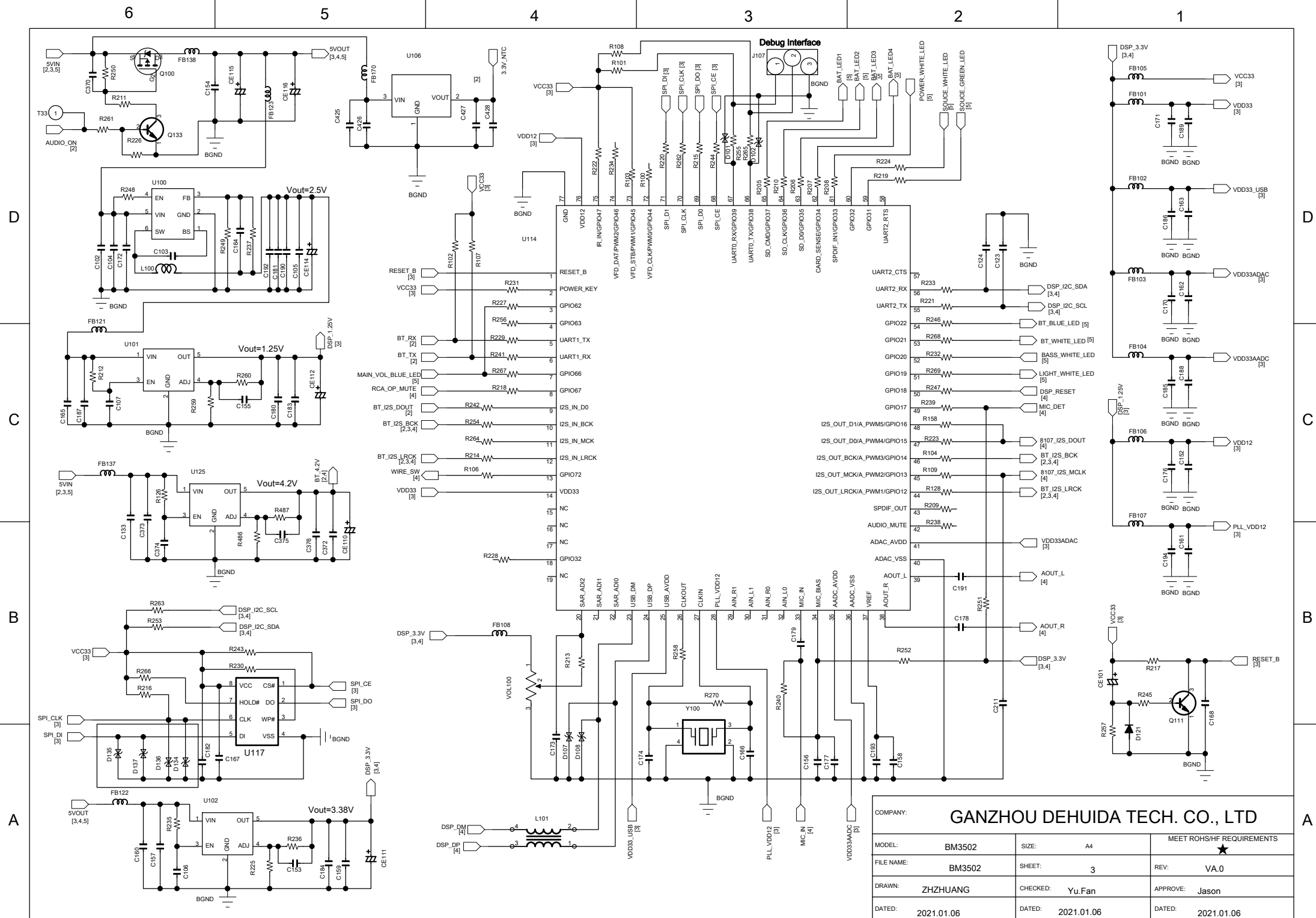
C

B

A

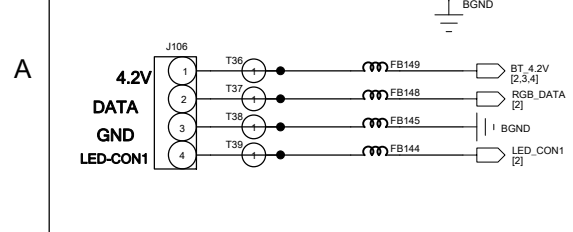
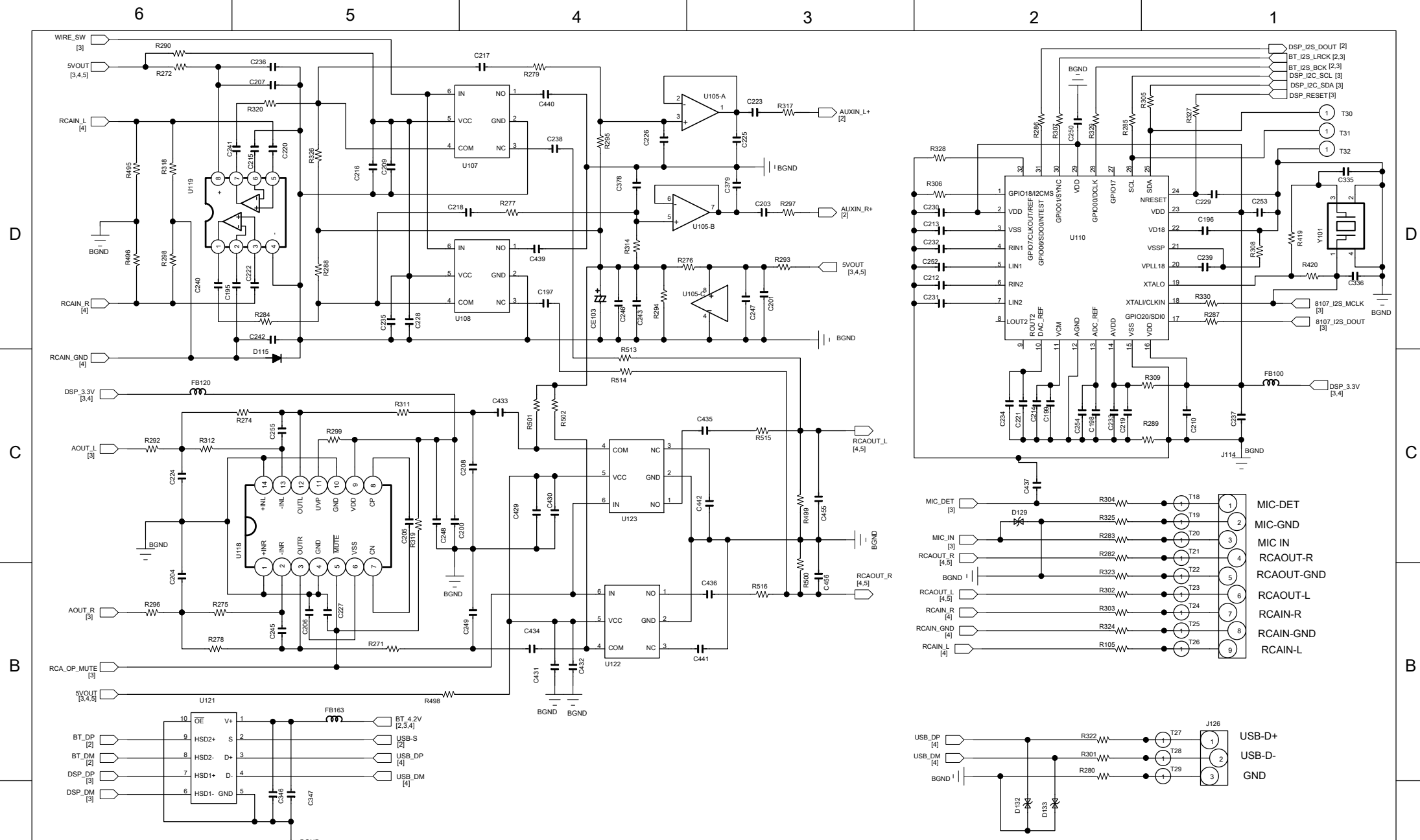


COMPANY: GANZHOU DEHUIDA TECH. CO., LTD		
MODEL: BM3502	SIZE: A4	MEET ROHS/SHF REQUIREMENTS
FILE NAME: BM3502	SHEET: 2	REV: VA.0
DRAWN: ZHZHUANG	CHECKED: Yu.Fan	APPROVE: Jason
DATED: 2021.01.06	DATED: 2021.01.06	DATED: 2021.01.06



COMPANY: **GANZHOU DEHUIDA TECH. CO., LTD**

MODEL: BM3502	SIZE: A4	MEET ROHS/HF REQUIREMENTS
FILE NAME: BM3502	SHEET: 3	REV: VA.0
DRAWN: ZHZHUANG	CHECKED: Yu.Fan	APPROVE: Jason
DATED: 2021.01.06	DATED: 2021.01.06	DATED: 2021.01.06



U118(DRV632)

MUTE	FUNCTION
L	MUTE
H	OPERATING

U107,U108(DIO1159)

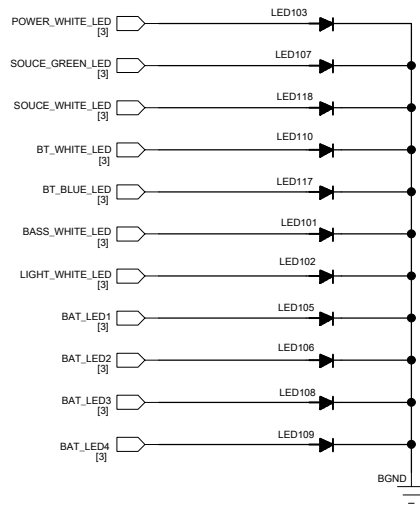
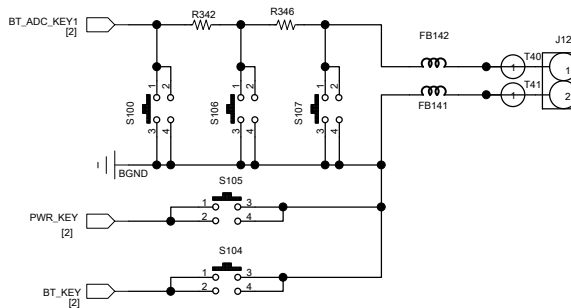
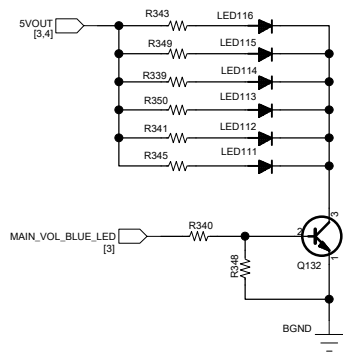
IN	FUNCTION
L	COM TO NC
H	COM TO NO

U121(RS227)

OE	S	HSD1+ HSD1-	HSD2+ HSD2-
0	0	ON	OFF
0	1	OFF	ON

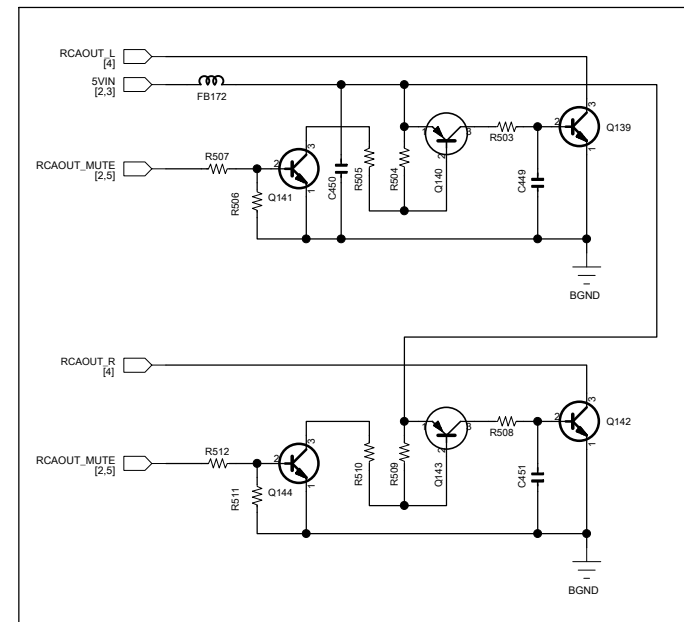
COMPANY: **GANZHOU DEHUIDA TECH. CO., LTD**

MODEL: BM3502	SIZE: A4	MEET ROHS/HF REQUIREMENTS
FILE NAME: BM3502	SHEET: 4	REV: VA.0
DRAWN: ZHZHUANG	CHECKED: Yu.Fan	APPROVE: Jason
DATED: 2021.01.06	DATED: 2021.01.06	DATED: 2021.01.06



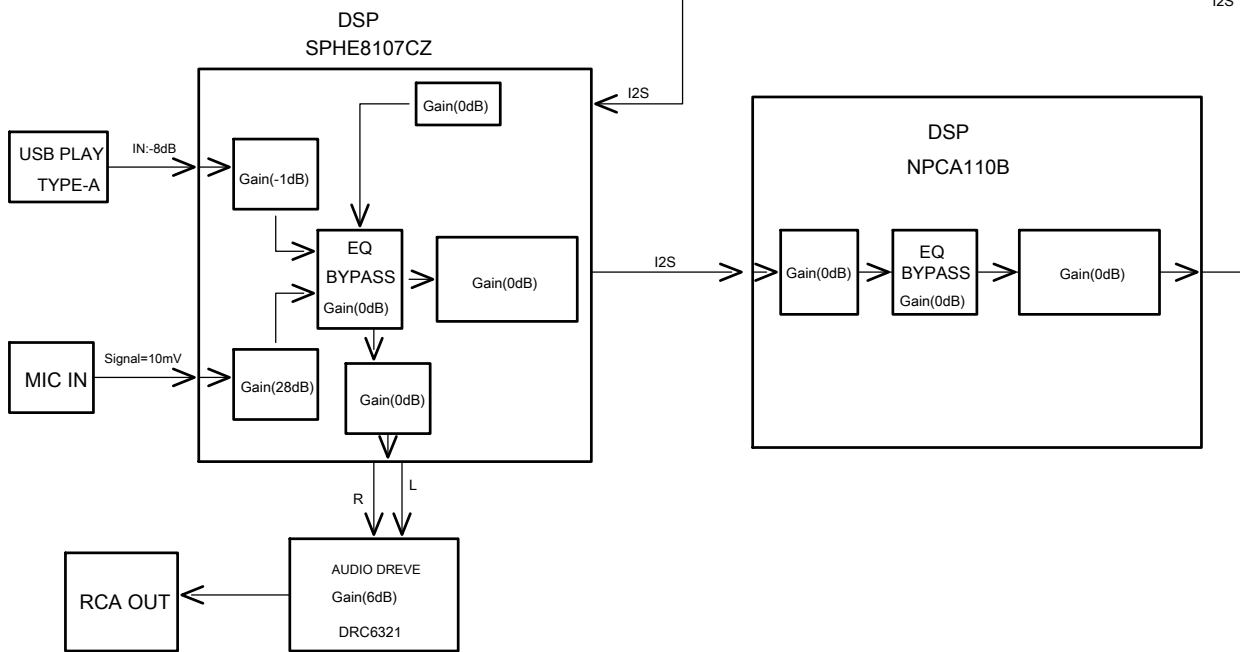
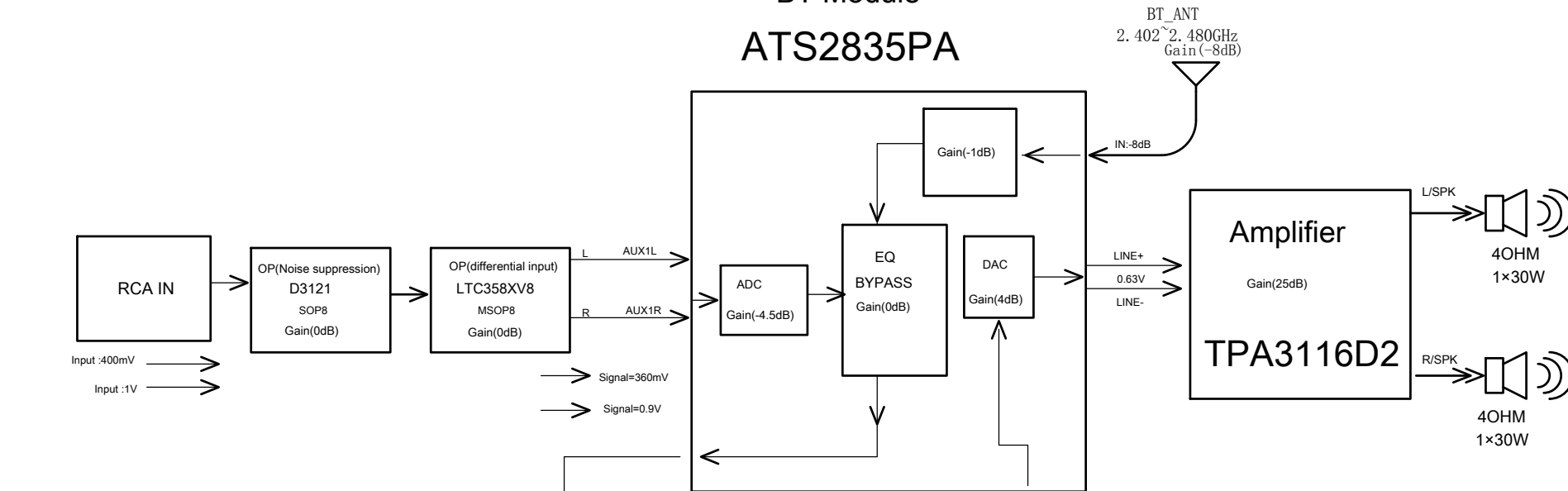
ADC KEY setting value

KEY	RES	Vadc	Range
BASS	0K	0V	0----0.1V
LIGHT	0.68K	0.39V	0.1----0.62V
SOURCE	1.1K	0.85V	0.62----1.095V
PRE	1.8K	1.34V	1.095----1.605V
PLAY	3.6K	1.87V	1.605----2.135V
NEXT	9.1K	2.40V	2.135----2.665V



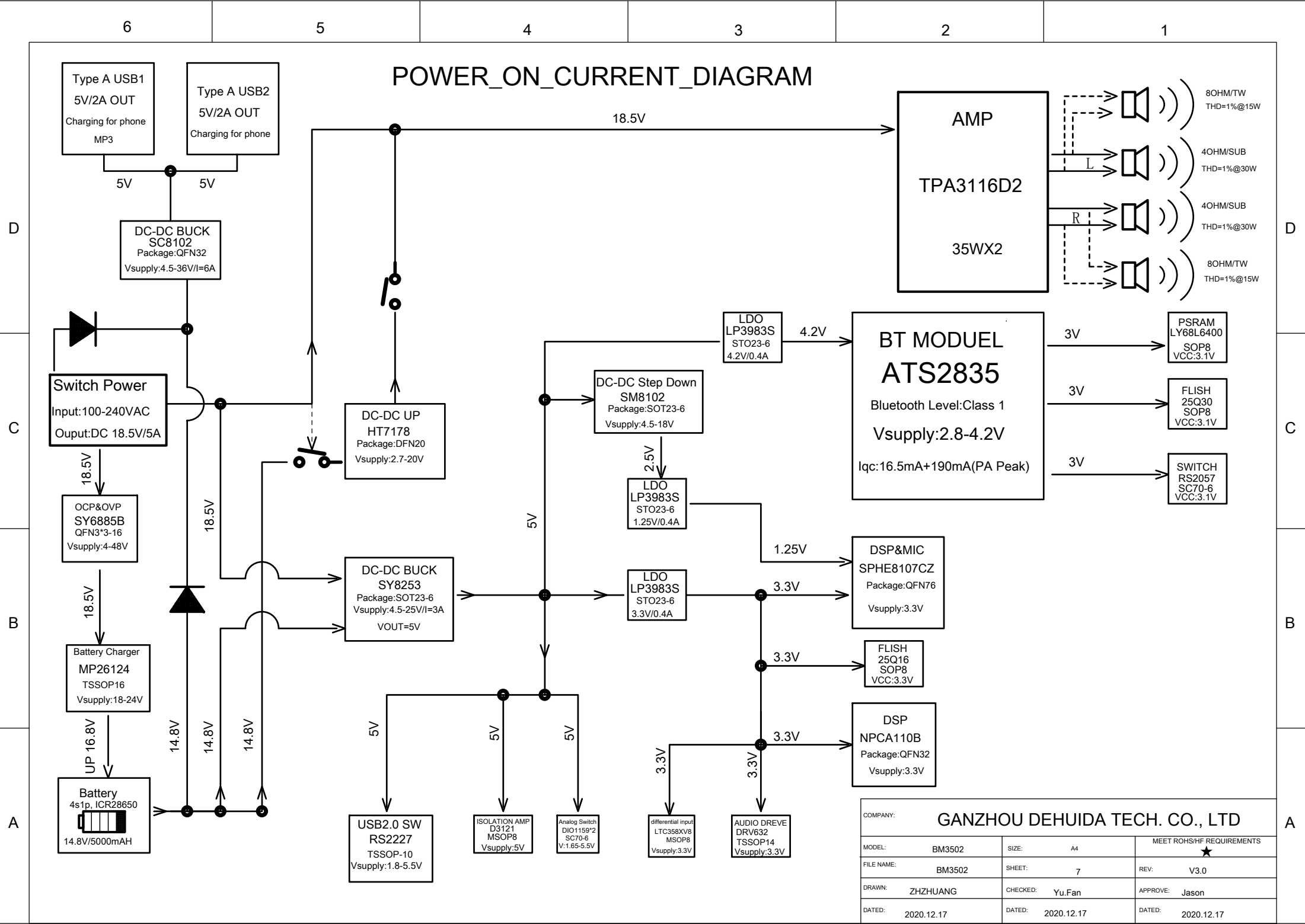
COMPANY: SHENZHEN DEHUIDA TECH. CO., LTD		
MODEL: BM3502	DWG. NO:	SIZE: A4
TYPE: BM3502	SHEET: 5	REV: VA.0
DRAWN: ZHZHUANG	CHECKED: Yu.Fan	APPROVE: Jason
DATED: 2021.01.06	DATED: 2021.01.06	DATED: 2021.01.06

BT Module ATS2835PA



COMPANY: SHENZHEN DEHUIDA TECH. CO., LTD		
MODEL: BM3502	DWG. NO:	SIZE: A4
TYPE: BM3502	SHEET: 6	REV: V3.0
DRAWN: ZHZHUANG	CHECKED: Yu.Fan	APPROVE: Jason
DATED: 2020.12.17	DATED: 2020.12.17	DATED: 2020.12.17

POWER_ON_CURRENT_DIAGRAM



COMPANY: GANZHOU DEHUIDA TECH. CO., LTD		
MODEL: BM3502	SIZE: A4	MEET ROHS/HF REQUIREMENTS
FILE NAME: BM3502	SHEET: 7	REV: V3.0
DRAWN: ZHZHUANG	CHECKED: Yu.Fan	APPROVE: Jason
DATED: 2020.12.17	DATED: 2020.12.17	DATED: 2020.12.17

6

5

4

3

2

1

D

D

C

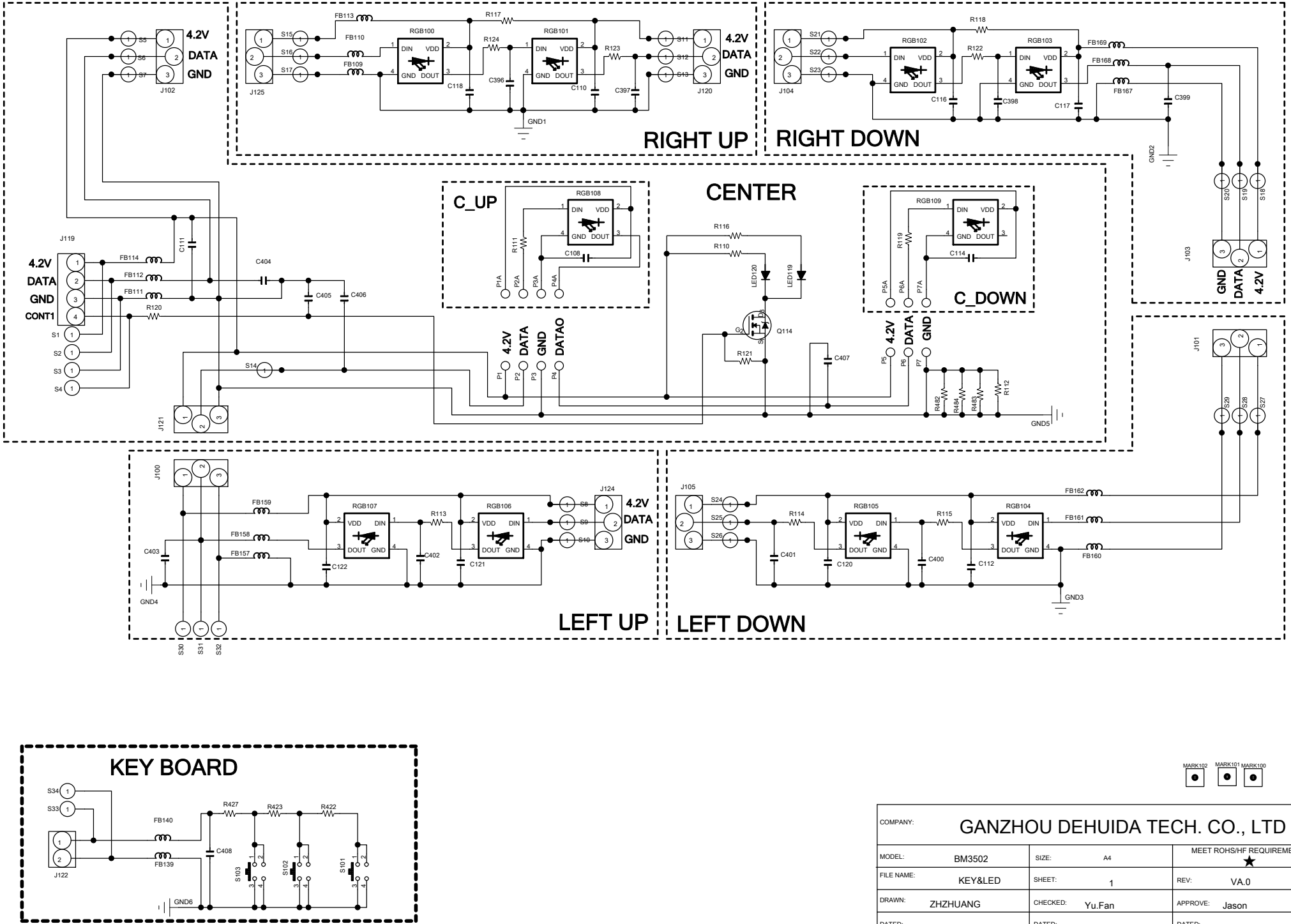
C

B

B

A

A



COMPANY: GANZHOU DEHUIDA TECH. CO., LTD		
MODEL: BM3502	SIZE: A4	MEET ROHS/SHF REQUIREMENTS
FILE NAME: KEY&LED	SHEET: 1	REV: VA.0
DRAWN: ZHZHUANG	CHECKED: Yu.Fan	APPROVE: Jason
DATED: 2021.01.07	DATED: 2021.01.07	DATED: 2021.01.07

6 5 4 3 2 1

D

D

C

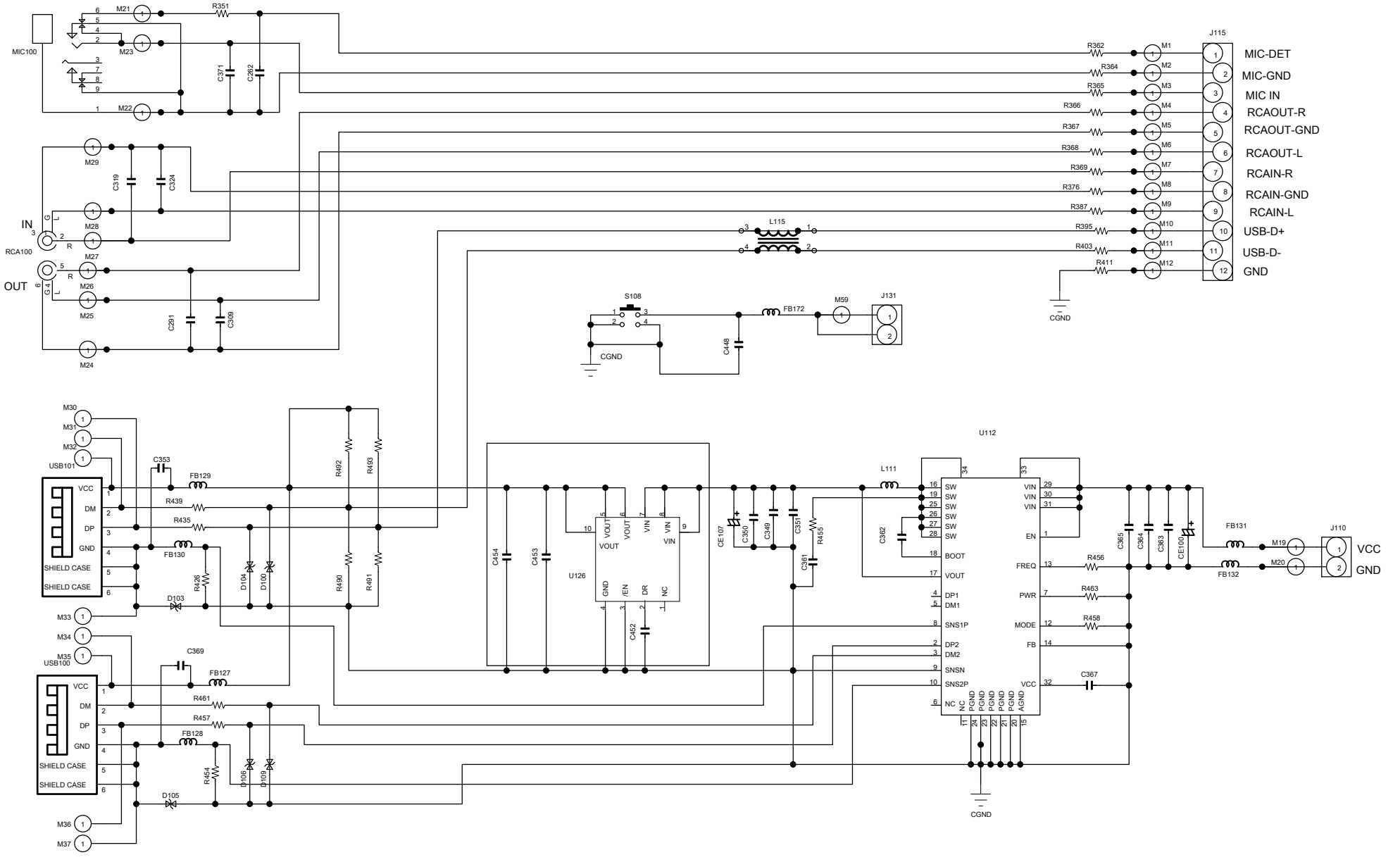
C

B

B

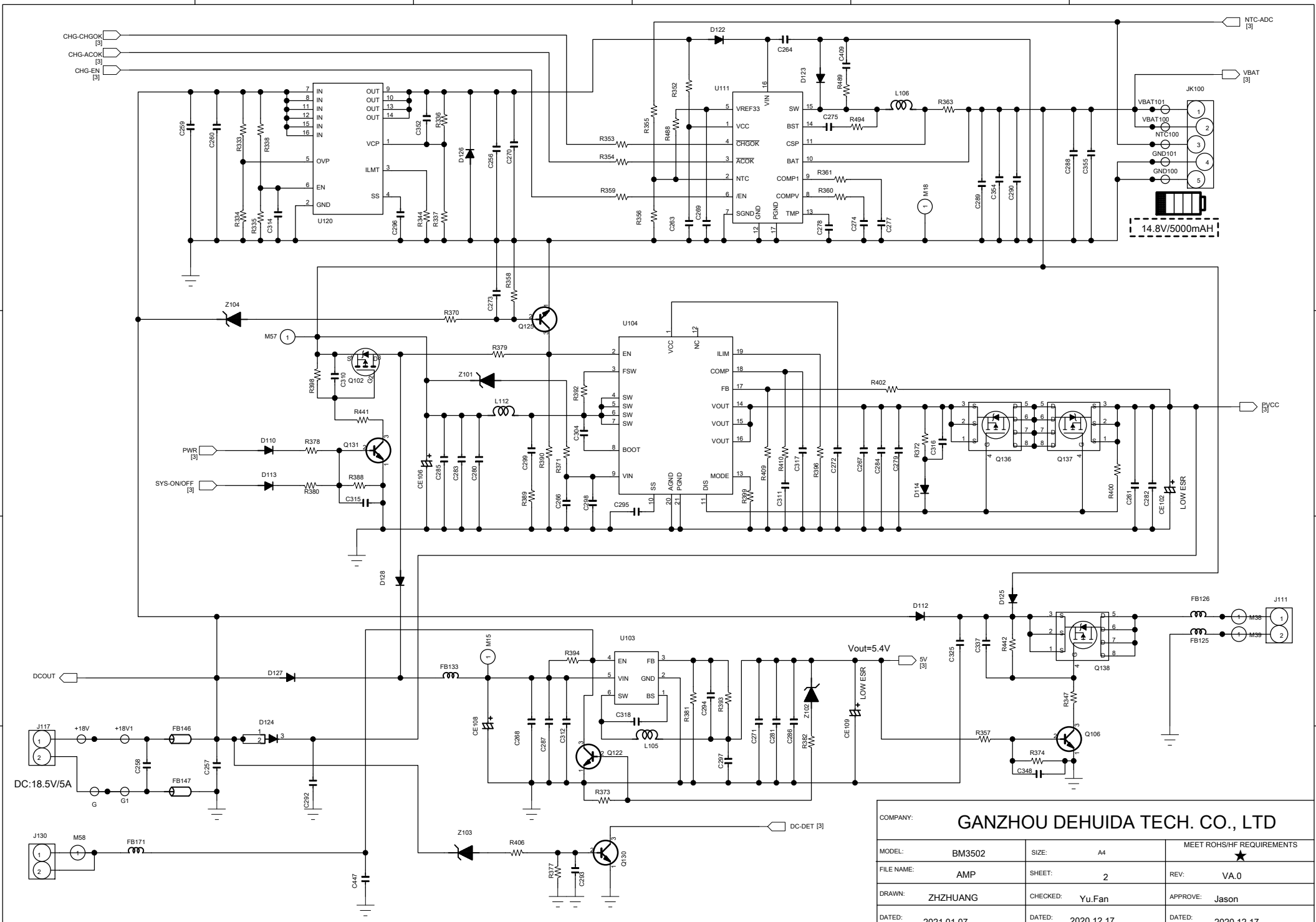
A

A



COMPANY: GANZHOU DEHUIDA TECH. CO., LTD		
MODEL: BM3502	SIZE: A4	MEET ROHS/HF REQUIREMENTS
FILE NAME: AMP	SHEET: 1	REV: VA.0
DRAWN: ZHZHUANG	CHECKED: Yu.Fan	APPROVE: Jason
DATED: 2021.01.07	DATED: 2020.12.17	DATED: 2020.12.17





COMPANY: GANZHOU DEHUIDA TECH. CO., LTD			
MODEL: BM3502	SIZE: A4	MEET ROHS/HF REQUIREMENTS	
FILE NAME: AMP	SHEET: 2	REV: VA.0	★
DRAWN: ZHZHUANG	CHECKED: Yu.Fan	APPROVE: Jason	
DATED: 2021.01.07	DATED: 2020.12.17	DATED: 2020.12.17	

6

5

4

3

2

1

D

C

B

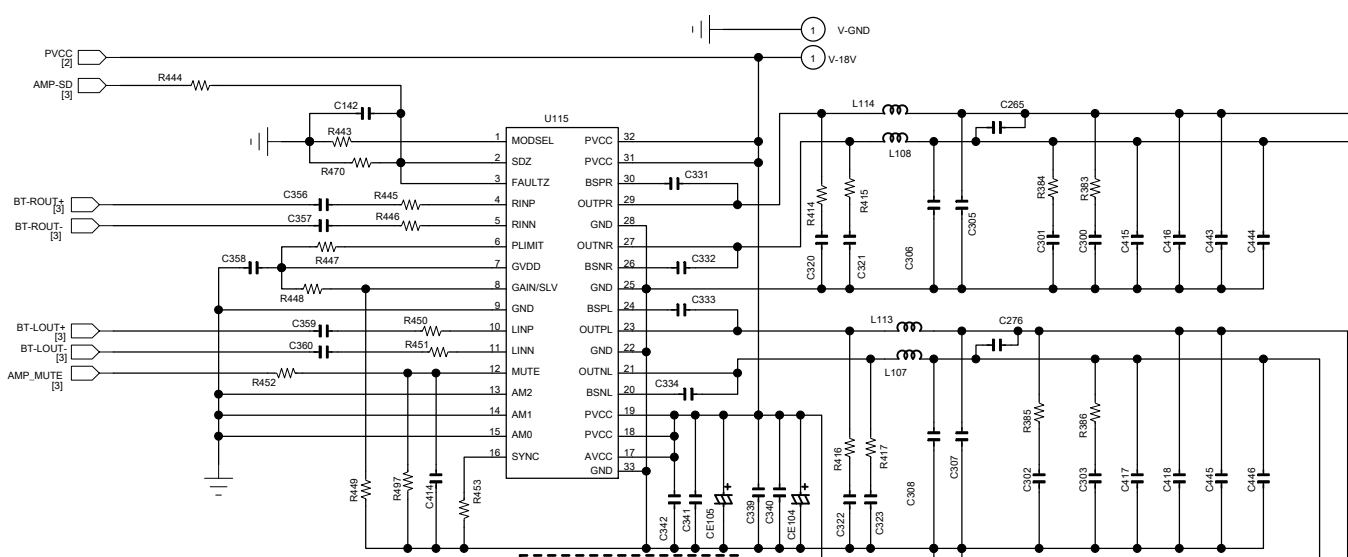
A

D

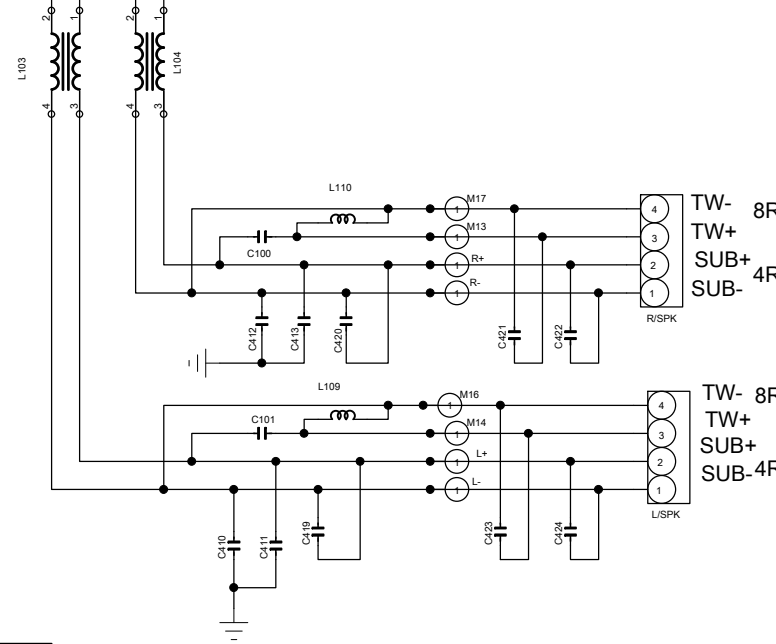
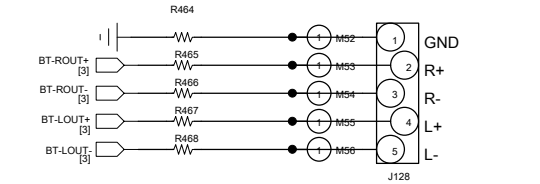
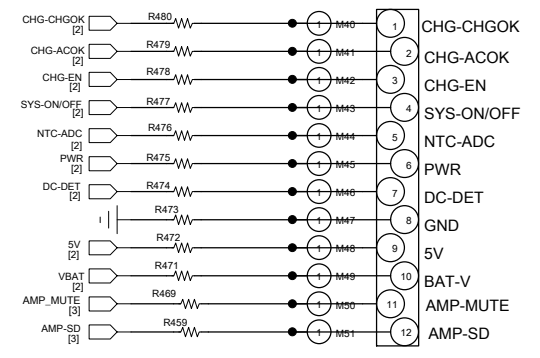
C

B

A



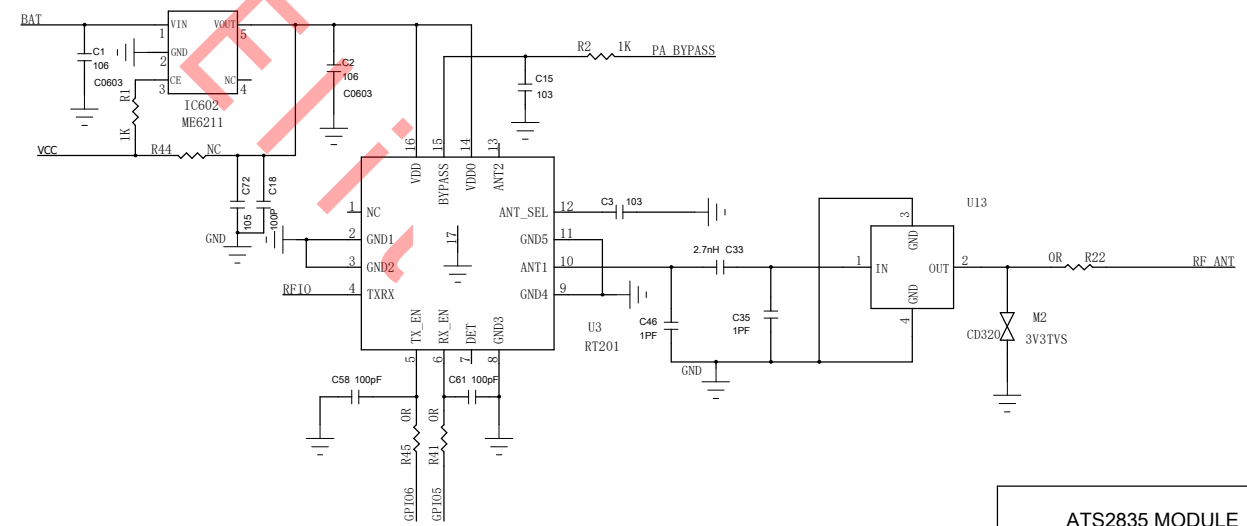
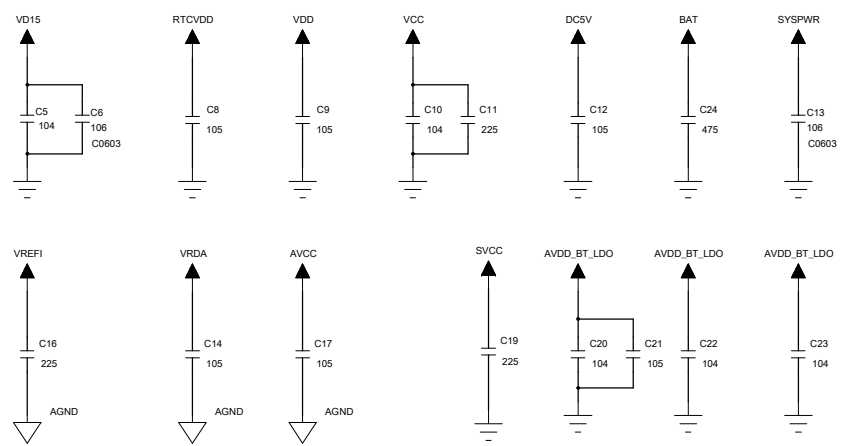
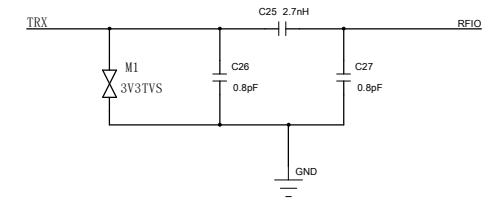
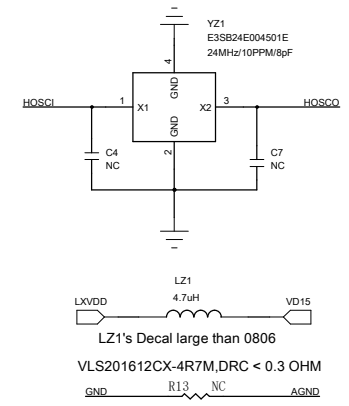
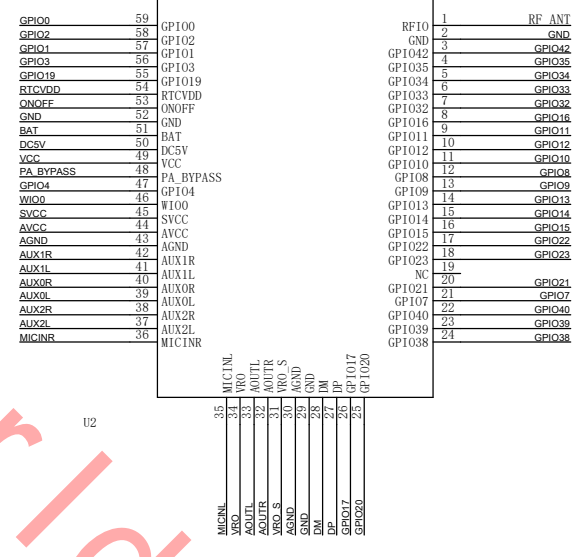
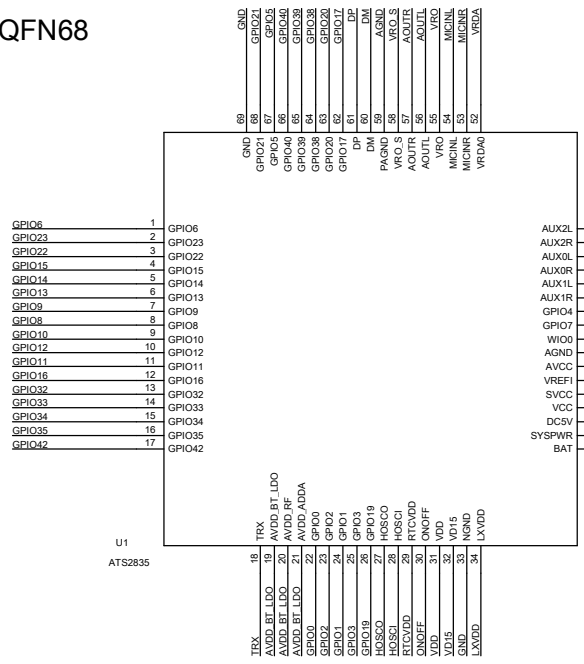
AMP Gain: 26dB



AMPLIFIER CONTROL		
PIN NAME	STATUS	AMP
SDZ	OUTPUT	H ENABLED
		L Hi-Z
FAULTZ	OUTPUT	H NORMAL
		L FAULT
MUTE	OUTPUT	H Hi-Z
		L ENABLED

COMPANY: GANZHOU DEHUIDA TECH. CO., LTD		
MODEL: BM3502	SIZE: A4	MEET ROHS/HF REQUIREMENTS
FILE NAME: AMP	SHEET: 3	REV: VA.0
DRAWN: ZHZHUANG	CHECKED: Yu.Fan	APPROVE: Jason
DATED: 2021.01.07	DATED: 2020.12.17	DATED: 2020.12.17

MCU_QFN68



ATS2835 MODULE	
File name:	ATS2835_MODULE_V1.0_190321
Sheet name:	MAIN
Drawing No:	Version: V1.0
Drawn By: ALEX	Date: 190321
Checked By:	Date:
Approved By:	Date:
Size:	A3 Sheet: 2 of 2